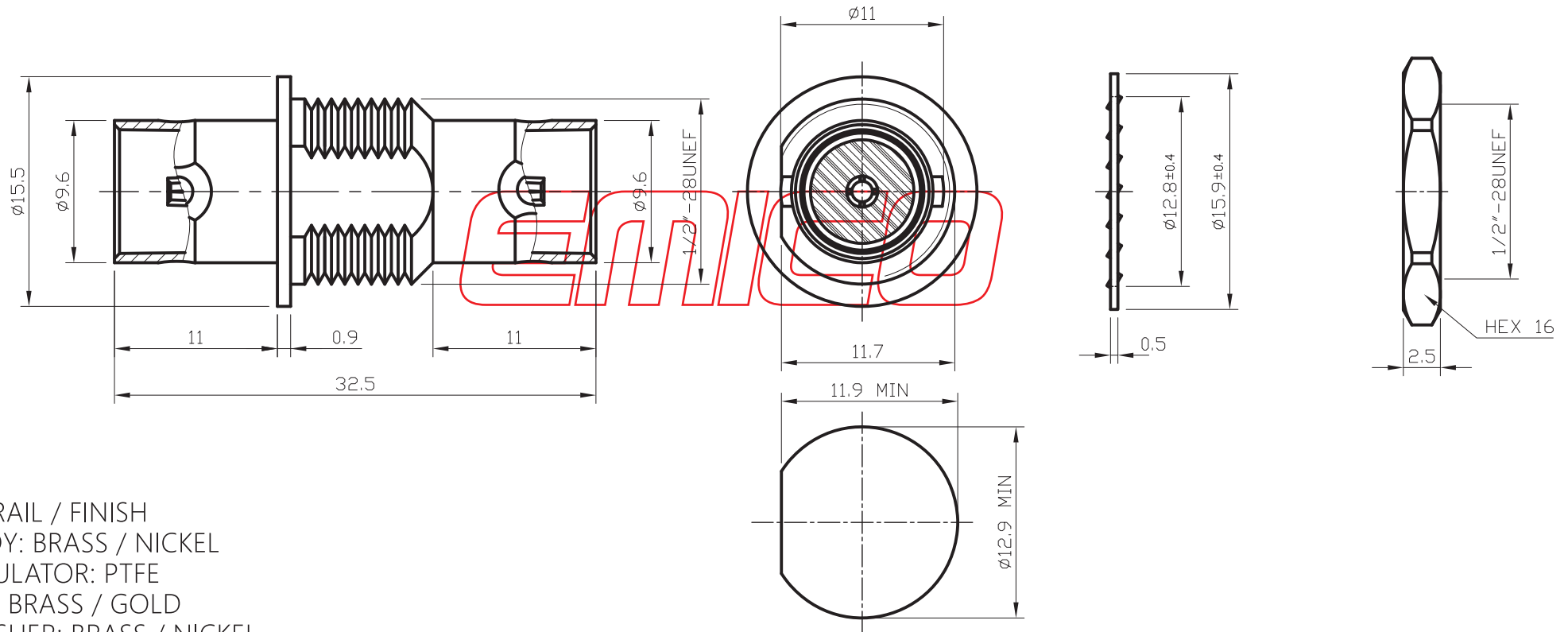


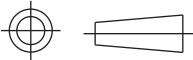
REMARK: RoHS COMPLIANT

Electrical:  
 1. Impedance: 75 ohm  
 2. Frequency: 0~12 GHz  
 3. VSWR: 1.2 Max.



MATERIAL / FINISH

1. BODY: BRASS / NICKEL
2. INSULATOR: PTFE
3. PIN: BRASS / GOLD
4. WASHER: BRASS / NICKEL
5. NUT: BRASS / NICKEL

THIRD ANGLE	UNIT	DATE	TITLE: Adapter, BNC Female to Female, B/H 75 ohm / 12 GHz
	MM	2020/5/25	
DRAWING BY	APPROVED BY	VERSION	DRAWING NO. EM-BH079-NGT-75
LEE	C	A	

**EMICO**® CONNECT YOUR LIFE  
 TEL: +886-3-3117527; +886-3-3119828  
 FAX: +886-3-2225330  
 E-mail: emico.tw@msa.hinet.net  
 Website: www.emico-tw.com.tw

**EMICO INDUSTRY CORPORATION**