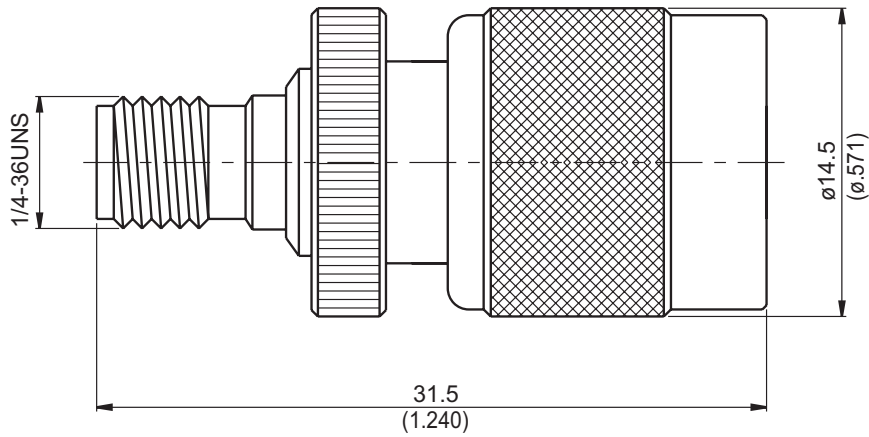


AD-A8T3

SMA Jack To TNC Plug

50Ω



Typical VSWR

Part Number	1 Ghz	2 Ghz	3 Ghz	4 Ghz	5 Ghz	6 Ghz	7 Ghz
AD-A8T3	1.08	1.1	1.15	1.2	1.2	1.2	1.28

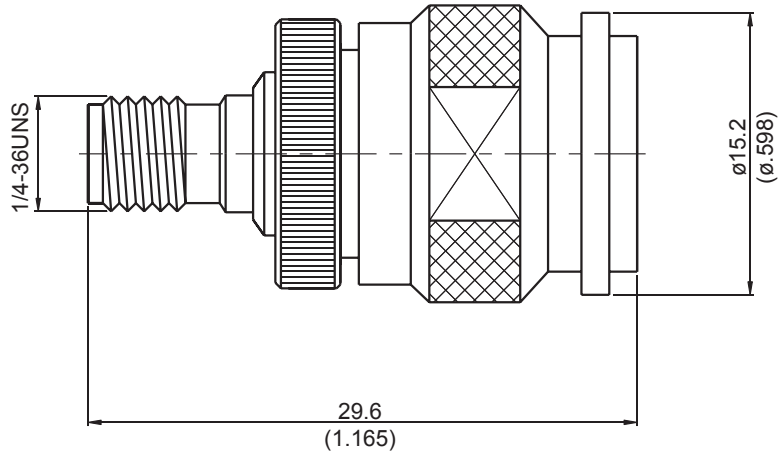
Parts	Material	Plating (Micro-inch)
Gasket	Silicone	
Ring	Delrin	
Washer	Brass	Tin-Zinc-Copper-Alloy 100 Over Copper 50
Body(SMA)	Brass	Gold 5 Over Nickel 50 Over Copper 50
Center Pin	Phosphor Bronze	Gold 10 Over Nickel 50 Over Copper 50
Insulator	Teflon	
Body(TNC)	Brass	Tin-Zinc-Copper-Alloy 100 Over Copper 50
Coupling Nut(TNC)	Brass	Tin-Zinc-Copper-Alloy 100 Over Copper 50

Weight: 18 g

Notice: JYEBAO reserves the right to make modifications deemed appropriate.

AD-A8T6

SMA Jack To TNC Reverse Polarity Plug 50Ω



Typical VSWR

Part Number	1 Ghz	2 Ghz	3 Ghz	4 Ghz
AD-A8T6	1.15	1.18	1.18	1.34

Parts	Material	Plating (Micro-inch)
Contact Pin	Phosphor Bronze	Gold 10 Over Nickel 50 Over Copper 50
Gasket	Silicone	
Body(TNC)	Brass	Tin-Zinc-Copper-Alloy 100 Over Copper 50
Renbrock Ring	Brass	Tin-Zinc-Copper-Alloy 100 Over Copper 50
Insulator	Teflon	
Body(SMA)	Brass	Gold 5 Over Nickel 50 Over Copper 50
Coupling Nut(TNC)	Brass	Tin-Zinc-Copper-Alloy 100 Over Copper 50

Weight: 18.38 g

Notice: JYEBAO reserves the right to make modifications deemed appropriate.