

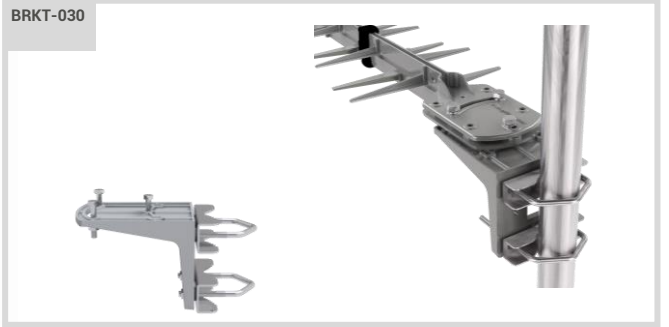
ANTENNAS | BRACKETS SERIES

BRACKET SPECIFICATIONS

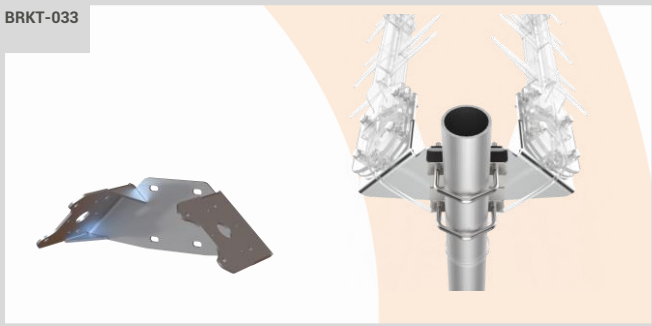
BRKT-016



BRKT-030



BRKT-033



BRKT-037



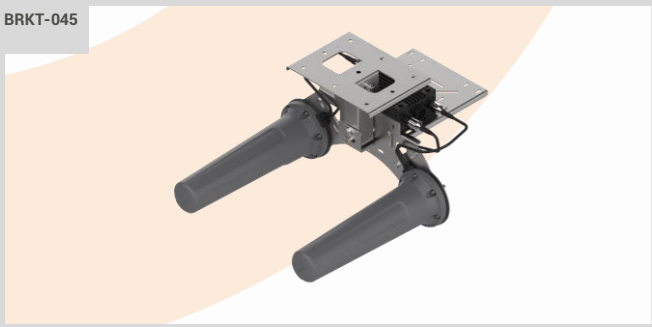
BRKT-038



BRKT-039

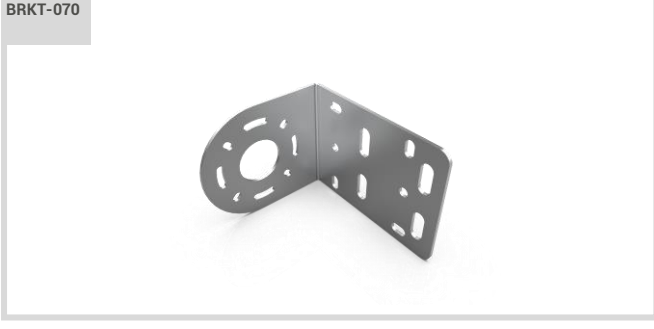
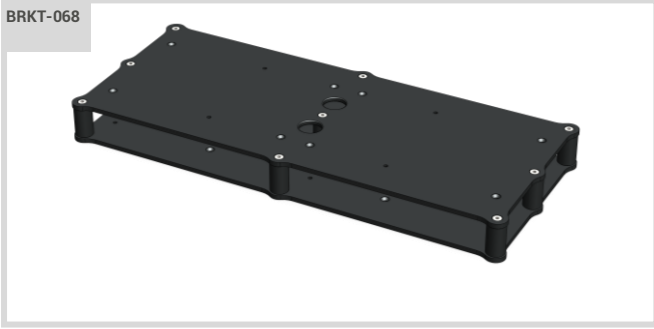
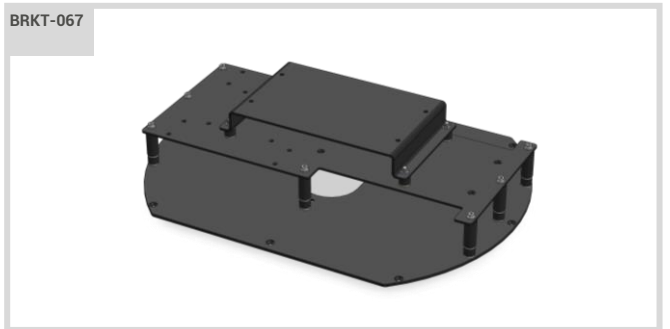
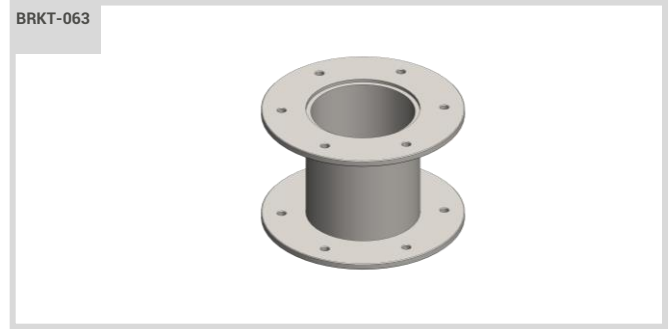
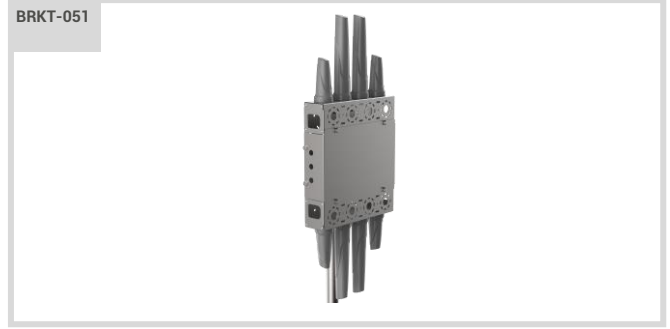


BRKT-045



BRKT-046

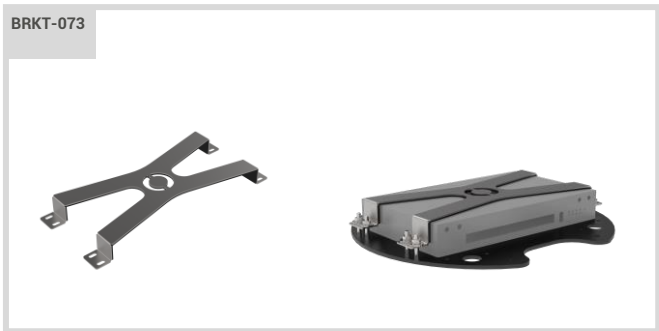




BRKT-072



BRKT-073



BRKT-090



Bracket Specifications

Bracket Product No.	Description	Bracket Dimensions	Packaged Dimensions (Flat Pack)	Bracket Weight	Packaged Weight	Material Type	Mounting Type	Compatible Antennas
A-BRKT-016	Universal Cast Swivel Bracket	145 x 80 x 80 mm	155 x 115 x 40 mm	260g	320g	Aluminium	Pole Mounted	<ul style="list-style-type: none"> • XPOL 6-10m • Patch-25 • Patch-26 • WLAN-60 • WLAN-61
A-BRKT-030	LPDA-92 Horizontal Mounting Bracket	133 x 104 x 96 mm	145 x 110 x 110 mm	320g	380g	Aluminium	Pole Mounted	<ul style="list-style-type: none"> • 2x LPDA-92 30-LTE
A-BRKT-033	±45° Polarisation Bracket	265 x 115 x 110 mm	265 x 115 x 110 mm	1kg	1.06kg	Galvanized Steel	Pole Mounted	<ul style="list-style-type: none"> • 2x LPDA-92-LTE
A-BRKT-037	Heavy Duty Marine Flat Mount Antenna Bracket 1" 14 TPI	∅77 x 40 mm	145 x 110 x 110 mm	180g	240g	316 Grade Stainless Steel	Surface Mounted	<ul style="list-style-type: none"> • OMNI-291 • OMNI-400 • OMNI-402 • OMNI-403 • OMNI-404 • OMNI-414 • OMNI-493 • OMNI-496
A-BRKT-038	Heavy Duty Marine Ratchet Rail Mount Antenna Bracket 1" 14 TPI	115 x 55 x 50 mm	145 x 110 x 110 mm	500g	580g	316 Grade Stainless Steel	Surface Mounted	<ul style="list-style-type: none"> • OMNI-291 • OMNI-400 • OMNI-402 • OMNI-403 • OMNI-404 • OMNI-414 • OMNI-493 • OMNI-496
A-BRKT-039	Heavy Duty Marine Mount Antenna Bracket 1" 14 TPI	93 x 64 x 112 mm	150 x 120 x 120 mm	560g	660g	316 Grade Stainless Steel	Surface Mounted	<ul style="list-style-type: none"> • OMNI-291 • OMNI-400 • OMNI-402 • OMNI-403 • OMNI-404 • OMNI-414 • OMNI-493 • OMNI-496
A-BRKT-045	Multi directional swivel bracket for mounting antennas to a ceiling	310 x 310 x 220 mm	320 x 325 x 240 mm	2.08 kg	2.28 kg	Stainless Steel	Ceiling Mounted	<ul style="list-style-type: none"> • 2x HELI-11 • 2x HELI-12 • 2x HELI-13 • 2x HELI-17 • 2x HELI-18 • 2x HELI-19 • HELI-21 • HELI-22
A-BRKT-046	Mining Tunnel Roof Mount Bracket for 4x Mini-HELI Antennas	570 x 470 x 245 mm	575 x 470 x 250 mm	4.1 kg	4.28 kg	304 Grade Stainless Steel	Ceiling Mounted	<ul style="list-style-type: none"> • 4x HELI-11 • 4x HELI-12 • 4x HELI-13 • 4x HELI-17 • 4x HELI-18 • 4x HELI-19 • HELI-41 • HELI-42
A-BRKT-047	20mm roof bolt mounting bracket attachment used in conjunction with BRKT-045	415 x 50 x 50 mm	290 x 50 x 50 mm	720g	760g	Stainless Steel	Roof Bolt Mounted	<ul style="list-style-type: none"> • HELI-21 • HELI-22 • HELI-41 • HELI-42
A-BRKT-051	Mining bracket for "Rhyno" antennas (8x8 MIMO)	457 x 424.6 x 105.6 mm	TBC	7.1 kg	TBC	304 Grade Stainless Steel	Wall, Pole & Magnet Mounted	<ul style="list-style-type: none"> • OMNI-700 Series • PUCK Series • MIMO 3 Series • OMNI-297

BRACKETS

A-BRKT-052	Mining bracket for "Rhyno" antennas (4x4 MIMO)	469.92 x 424.6 x 105.6 mm	TBC	6.7 kg	TBC	304 Grade Stainless Steel	Wall, Pole & Magnet Mounted	<ul style="list-style-type: none"> • OMNI-700 Series • PUCK Series • MIMO 3 Series • OMNI-297
A-BRKT-063	Wave Hunter Aluminium Base Accessories (Pedestal)	Ø300 x 187 mm	Ø320 x 205 mm	11.98 kg	12.1 kg	316 Stainless steel with White powder coating	Surface Mounted	<ul style="list-style-type: none"> • WaveHunter
A-BRKT-064	3 Celerway Arcus Routers Mounting Bracket	TBC	TBC	TBC	TBC	TBC	Surface Mounted	<ul style="list-style-type: none"> • WaveHunter
A-BRKT-066	Roof Bolt Mount HELI-22 Bracket	265 x 310 x 495 mm	340 x 340 x 230 mm	2.5 kg	2.56 kg	Stainless Steel	Roof Bolt Mounted	<ul style="list-style-type: none"> • 2x HELI-11 • 2x HELI-12 • 2x HELI-13 • 2x HELI-17 • 2x HELI-18 • 2x HELI-19
A-BRKT-067	Celerway Stratus-Arcus Bracket	TBC	TBC	TBC	TBC	TBC	Surface Mounted	<ul style="list-style-type: none"> • WaveHunter
A-BRKT-068	WaveHunter 3-Peplink BR2 Pro Integration	TBC	TBC	TBC	TBC	TBC	Surface Mounted	<ul style="list-style-type: none"> • WaveHunter
A-BRKT-069	L-Bracket mounting kit	Ø80 x 92 x 140 mm	Ø85 x 97 x 145 mm	0.24 kg	0.25 kg	304 Grade Stainless Steel	Pole & Wall Mounted	<ul style="list-style-type: none"> • OMNI-297 • OMNI-700 Series
A-BRKT-070	L-Bracket mounting kit	85 x 95 x 115 mm	90 x 100 x 120 mm	0.49 kg	0.54 kg	304 Grade Stainless Steel	Pole & Wall Mounted	<ul style="list-style-type: none"> • OMNI-214 • OMNI-291 • OMNI-292 • OMNI-293 • OMNI-296 • OMNI-400 • OMNI-402 • OMNI-414 • OMNI-493 • OMNI-496 • OMNI-600
A-BRKT-071	Ripple RUTX Router Bracket	157 x 178 x 33 mm	181 x 230 x 80 mm	0.546 kg	0.716 kg	304 Grade Stainless Steel	Surface Mounted	<ul style="list-style-type: none"> • Ripple
A-BRKT-072	Ripple ARCUS Router Bracket	215 x 248 x 27 mm	261 x 261 x 70 mm	0.686 kg	0.836 kg	304 Grade Stainless Steel	Surface Mounted	<ul style="list-style-type: none"> • Ripple
A-BRKT-073	Ripple PEPLINK Router Bracket	150 x 354 x 33 mm	164 x 381 x 45 mm	0.432 kg	0.543 kg	304 Grade Stainless Steel	Surface Mounted	<ul style="list-style-type: none"> • Ripple
A-BRKT-090	Narwhal Series Marine Bracket	70 x 64 x 69 mm	290 x 185 x 205 mm	3.7 Kg	3.96 Kg	316 Grade Stainless Steel	Pole & Wall Mounted	<ul style="list-style-type: none"> • OMNI-902 • OMNI-904 • OMNI-914

Environmental Specifications, Certification & Approvals

Temperature Range (Operating):	-40°C to +80°C
Storage Temperature:	-40°C to +80°C
Salt Spray:	MIL-STD 810G/ASTM B117
Operating Relative Humidity:	Up to 98%
Storage Humidity:	5% to 95% - non-condensing
Product & Environmental Safety:	Complies with CE and RoHS standards



CONTACT POYNTING

Poynting Antennas (Pty) Ltd - Head Office

Unit 4, N1 Industrial Park,
Landmarks Avenue,
Samrand, 0157, South Africa
Phone: +27 (0) 12 657 0050
E-mail: info@poynting.tech
International Email: sales-global@poynting.tech

Poynting Europe

Regus Business Center Neue Messe Riem
Kronstadter Straße 4
81677 München
Germany
Phone: +49 89 7453 9002
E-mail: sales-europe@poynting.tech

Poynting USA

1804 Owen Court, Suite 104,
Mansfield,
TX 76063
USA
Phone: +1 817 533-8130
E-mail: sales-us@poynting.tech