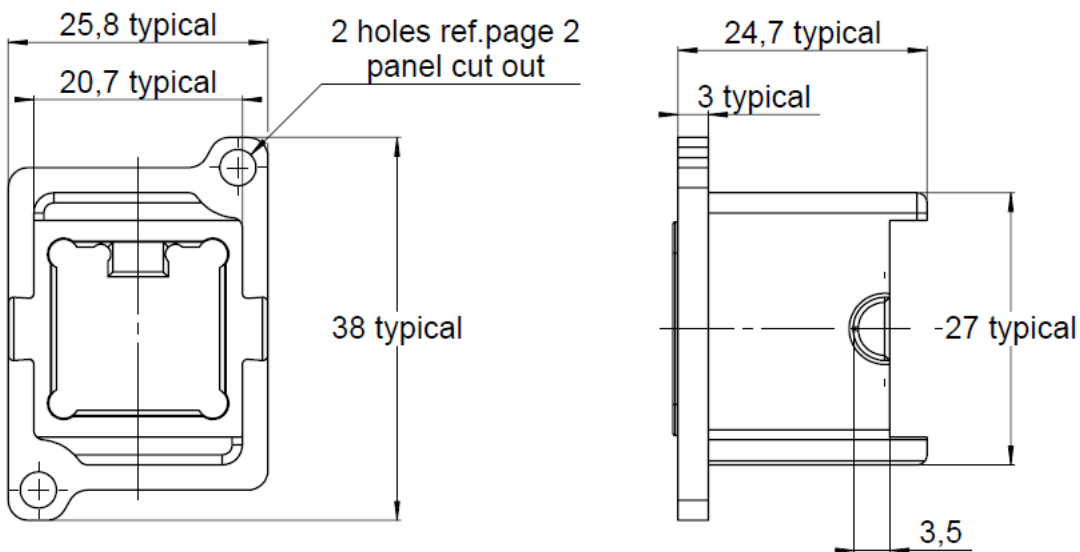
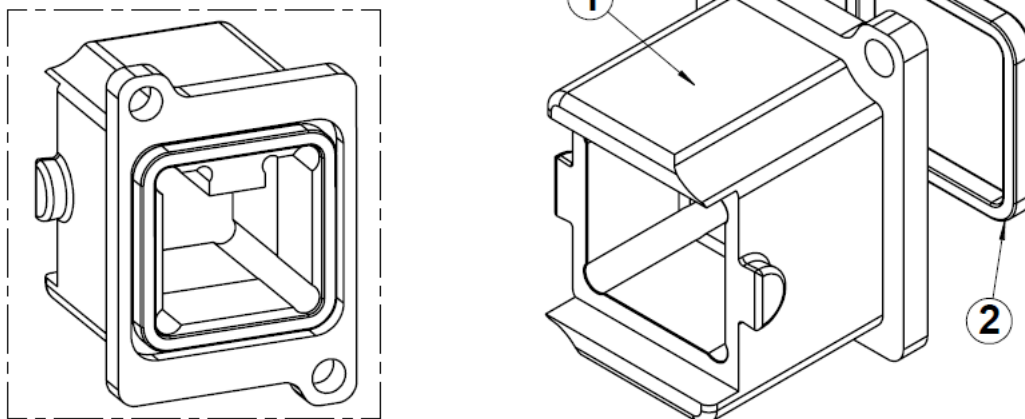


PAGE 1/4	ISSUE 05-03-19A	SERIES OCTIS	PART NUMBER OCT1107500
----------	------------------------	---------------------	-------------------------------



Packing configuration



All dimensions are in mm. Tolerances according ISO 2768 m-H

DESCRIPTION

REP	COMPONENT	MATERIALS	PLATING
1	Screwable Receptacle Body	ALUMINIUM	CHEMICAL PASSIVATION
2	Panel Sealing Gasket	SILICONE	-

PAGE 2/4	ISSUE 05-03-19A	SERIES OCTIS	PART NUMBER OCTI107500
----------	------------------------	---------------------	-------------------------------

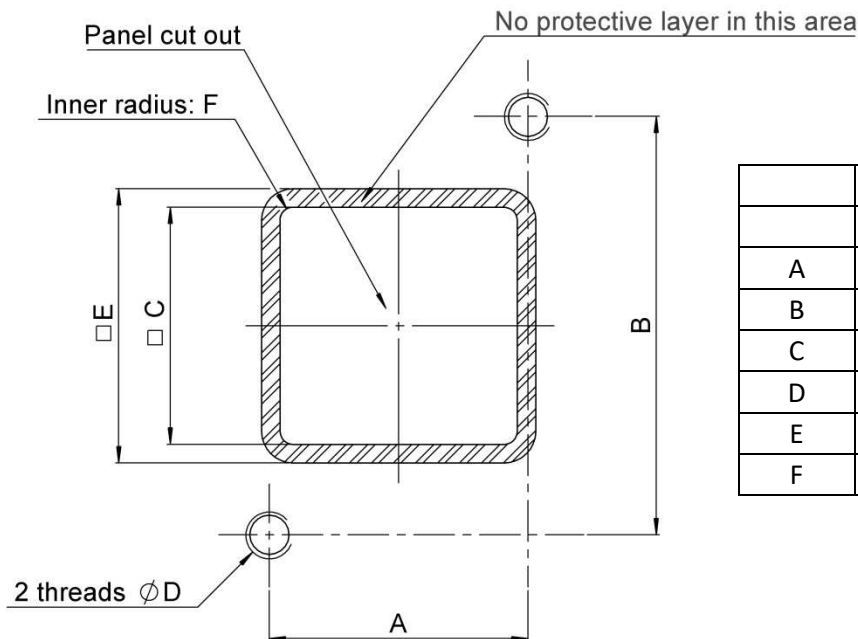
GENERAL CHARACTERISTICS

Mechanical Mating endurance (cycles) Axial Tensile load (N typical) Vibration Recom. coupling torque (N.cm) Weight (g)	IEC 61300-2-2 IEC 61300-2-4 IEC 61300-2-1	100 - 17.7130
Environmental Protection class Operating temperature (°C) Storage temperature (°C) Salt Mist RoHS Flammability UVB Resist (h)	IEC 60529 IEC 61300-2-22 IEC 61300-2-22 IEC 61300-2-26 (ISO21207 method B) - UL 94 ASTM G154 cycle 2	IP67 * -40 / +85 -65 / +85 720h * Compliant V0 1000
Others: Equipment interface Packaging	- -	For use with OCTIS™ plug or receptacle cap ** 24 pcs by tray

* Mated condition

** If the interface is to be die casted into the equipment panel, please contact Radiall for license conditions and interface definition

PANEL CUT OUT

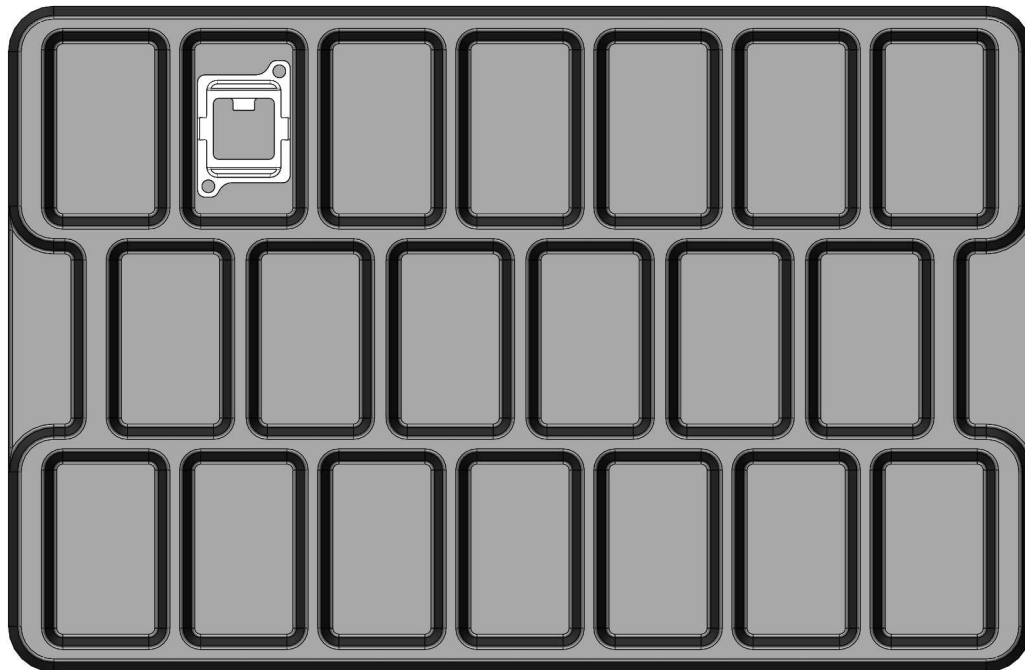
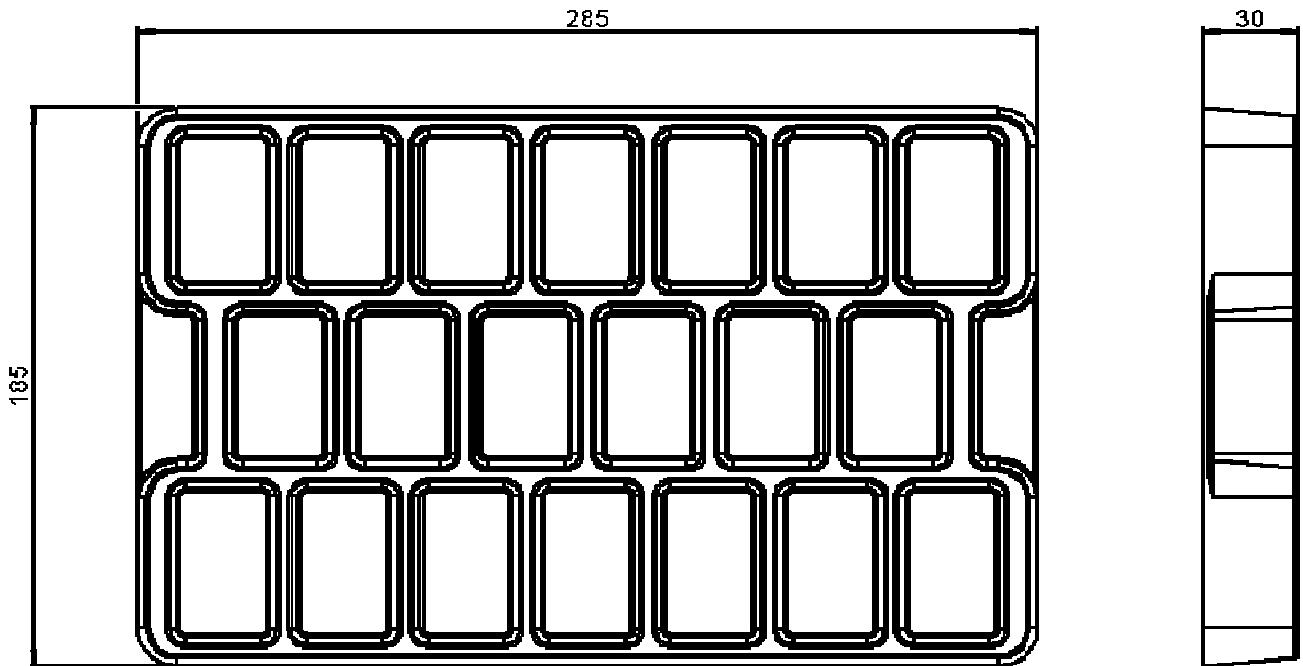


	mm	
	Min.	Max.
A	19.7	19.9
B	31.9	32.1
C	16.5	16.8
D	M3	-
E	19.5	20
F	-	0.5

PAGE 3/4	ISSUE 05-03-19A	SERIES OCTIS	PART NUMBER OCTI107500
----------	-----------------	--------------	------------------------

PACKAGING:

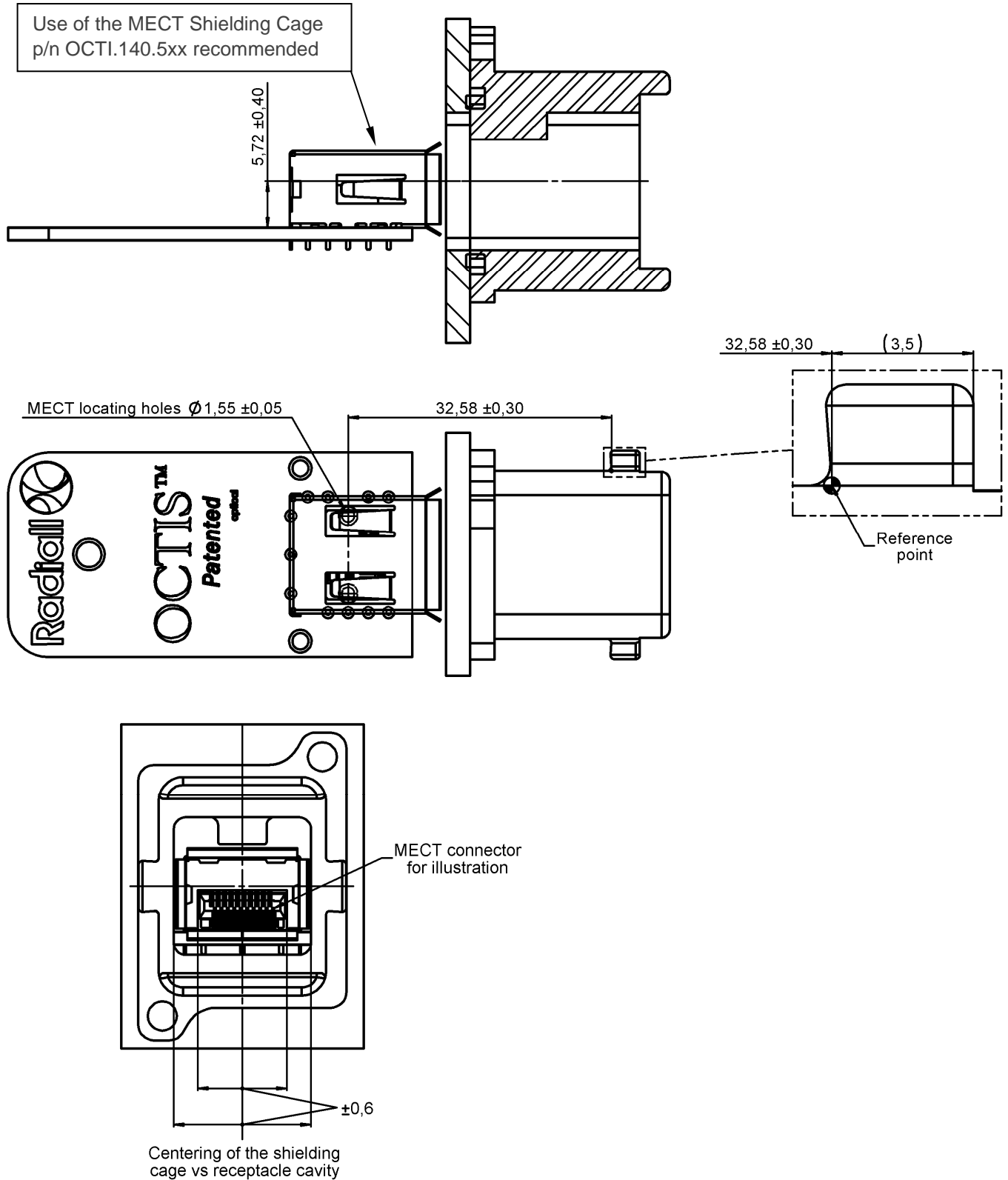
Packaging in Hot Formed Tray



only for positioning illustration

PAGE 4/4	ISSUE 05-03-19A	SERIES OCTIS	PART NUMBER OCTI107500
----------	-----------------	--------------	------------------------

POSITIONNING AND PATTERN DEFINITION



only for positioning illustration