

POWERVERTER PVPro A & C Range

12/24VDC USB CHARGERS

A & C PORT USB CHARGING FOR 12V AND 24VDC APPLICATIONS

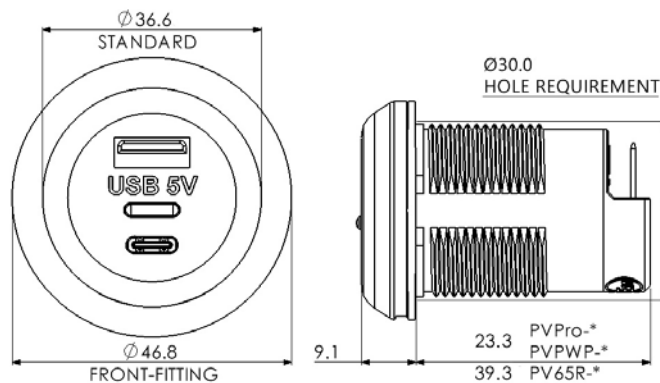
The PowerVerter PVPro Range of USB chargers has been completely updated into the A & C Range, amalgamating all the great design concepts of USB charging on vehicles into one simple range. Models are now available offering both USB A and C connections, including Single and Double A as well as Single and Double C and a combined Dual A & C output version.

As well as standard (rear fit), all models are available in front fit versions. This is a popular option for when rear space access is limited, and also allows for quick removal and replacement if required.

Ingress protection is to IP30 as standard. However, the PVPWp versions retain the slimline design and offer enhanced protection to IP65 (not connectors). The ruggedised PV65R versions which are also IP65 (not connectors), offer additional transient protection and are particularly suitable in more demanding environments such as for installation into vehicle walls.

Output power performance has also been enhanced. As well as charging both Apple and Android mobile phones, the USB-C models offer higher current outputs for limited charge assistance on tablets and laptops.

Standard versions require only 20mm (typical) rear space and can easily be installed in bus and coach seat backs, walls and dashboards. A series of 3 pod designs enable retrofit options for underseat, table and wall mounting.



THE RANGE

All units are installed through a 30mm hole. Standard format units are retained by a rear nut while the front fit versions include a bezel with tamperproof cover ring. Input power is by way of two 6.3mm push-in flat fit automotive terminals.

Dimensionally the USB A and C Chargers are the same and are interchangeable with the ever-popular PVPro Range. Electronically the designs include reverse polarity protection and automatic short circuit protection, so in the event of tampering or compromise the unit will shut down, then restart again, once the fault has been removed.

SAFETY

A requirement of the USB standard is that the metal cage around the USB plugs and sockets is connected to ground (zero volts). If a USB charger is to be used in an application with a positive ground, i.e. battery/supply positive terminal is connected to the vehicle chassis, then there is a risk that the exposed metal cage of any USB cable could come in contact with the positive connected chassis, causing uncontrolled heating of the USB cable and USB charger and potentially creating a hazard.

In positive ground applications, we recommend installing an Alfatronix isolated converter between the positive ground supply and the input of the USB charger.



IP65 versions available
PV65R - ruggedised and PVPWp, both IP65 rated; indicated by yellow rear cap

The new A & C range has the following key benefits:

- Both type-A and type-C outputs
- Apple and Android compatible
- Dashboard, slimline seat back or underseat pod configurations
- LED output indicator
- IP30 or IP65 ingress protection -see Product Overview
- CE, E and UKCA marked



PVPro-A
Single output
A connector



PVPro-AA
Double output
A connector



PVPro-C
Single output
C connector



PVPro-AC
Dual output A
& C connector



PV-USB2-C: Charger only, no interface. For under-dash use. Also available with USB A connector.



All products are available in front fit options for when rear access is limited

WARRANTY

The PVPro A and C range of chargers are manufactured using rugged components to provide years of service in demanding commercial environments and are covered by a three year return to base guarantee.

CHOOSE YOUR USB PRODUCT

Part No.	Description	Dimensions (mm)	Weight
Standard IP30 USB Chargers:			
PVPro-A	USB 'A' Single output 12/24-5V, 2.1A	Ø37 x 34; Hole Ø30; Rearspace typ.22	20g
PVPro-AA	USB 'A' & 'A' Dual output 12/24-5V, 3.0A	Ø37 x 34; Hole Ø30; Rearspace typ.22	24g
PVPro-AC	USB 'A' & 'C' Dual output 12/24-5V, 3.6A	Ø37 x 34; Hole Ø30; Rearspace typ.22	25g
PVPro-C	USB 'C' Single output 12/24-5V, 3.0A	Ø37 x 34; Hole Ø30; Rearspace typ.22	20g
PVPro-CC	USB 'C' & 'C' Dual output 12/24-5V, 3.0A	Ø37 x 34; Hole Ø30; Rearspace typ.22	21g
Ruggedised IP65 USB Chargers:			
PV65R-A	USB 'A' Single output rugged, IP65 12/24-5V, 2.1A	Ø37 x 49; Hole Ø30; Rearspace typ.36	36g
PV65R-AA	USB 'A' & 'A' Dual output rugged, IP65 12/24-5V, 3.0A	Ø37 x 49; Hole Ø30; Rearspace typ.36	39g
PV65R-AC	USB 'A' & 'C' Dual output rugged, IP65 12/24-5V, 3.6A	Ø37 x 49; Hole Ø30; Rearspace typ.36	36g
PV65R-C	USB 'C' Single output rugged, IP65 12/24-5V, 3.0A	Ø37 x 49; Hole Ø30; Rearspace typ.36	28g
PV65R-CC	USB 'C' & 'C' Dual output rugged, IP65 12/24-5V, 3.0A	Ø37 x 49; Hole Ø30; Rearspace typ.36	30g
Slimline IP65 USB Chargers:			
PVPWp-A	USB 'A' Single, slimline, IP65 12/24-5V, 2.1A	Ø37 x 34; Hole Ø30; Rearspace typ.22	26g
PVPWp-AA	USB 'A' & 'A' Dual, slimline, IP65 12/24-5V, 3.0A	Ø37 x 34; Hole Ø30; Rearspace typ.22	30g
PVPWp-AC	USB 'A' & 'C' Dual, slimline, IP65 12/24-5V, 3.6A	Ø37 x 34; Hole Ø30; Rearspace typ.22	29g
PVPWp-C	USB 'C' Single, slimline, IP65 12/24-5V, 3.0A	Ø37 x 34; Hole Ø30; Rearspace typ.22	24g
PVPWp-CC	USB 'C' & 'C' Dual output 12/24-5V, 3.0A	Ø37 x 34; Hole Ø30; Rearspace typ.22	25g
For front fit versions, please add the suffix Ff, e.g. PVPro-AFf, PV65R-CFf, PVPWp-ACFf. The detachable ring in both standard and front fit format can be customised for branding and advertising purposes. Please ask our sales team.			
Accessories:			
USB-POD	Underseat mounting pod for USB chargers	W 60, H 52, D 80	69g
USB-TPOD	Table mounting pod for 2x USB chargers	W 103, H 44.5, D 88	73g
USB-WPOD	Wall mounting pod for USB chargers	W 60.5, H 76, D 26	22g
PV-USB-H1	Standard 1.2 wiring with in line fuse	1x red 1.2m, 1x black 1.2m, 1x 2A fuse	50g
PV-USB2-A	USB 'A', Single output charger only 12/24-5V, USB 2.1A	113 x 24 x 15	17g
PV-USB2-C	USB 'C', Single output charger only 12/24-5V, USB 3.0A	113 x 24 x 15	16g

TECHNICAL DATA

Input voltage range	9-32Vdc												
Output voltage	5.2Vdc +/- 0.2V												
Max Output Power	Single A: 2.1A, Dual A: 3.0A, Single C: 3.0A, Dual C: 3.0A, Dual A & C: 3.6A												
Application	Charging of USB devices including Apple and Android												
Transient voltage protection	Meets ISO7637-2 International standard for 12/24V vehicles												
Output noise	<50mV pk-pk												
Off load current (quiescent current)	<2.5mA												
Isolation	Non-isolated >400Vrms between casing and terminals												
Power conversion efficiency	90%												
Operating temperature	-25°C to +55°C to meet this specification table												
Storage temperature	-40°C to +100°C												
Operating humidity	95% max., non-condensing												
Casework	Dark grey polycarbonate body, contrasting trim ring												
Connections	Input: 6.3mm push-in flat blade connectors Output: USB type-A single/double socket, USB type-C socket												
Output indicator	Blue LED output indication												
Mounting method	30mm diameter hole, with rear nut or front fit bezel												
Safe area protection:	<table border="0"> <tr> <td>Over Current</td> <td>Limited by current sensing circuit</td> </tr> <tr> <td>Over heat</td> <td>Limited by temperature sensing circuit</td> </tr> <tr> <td>Overvoltage and Undervoltage</td> <td>Limited by sensing circuit</td> </tr> <tr> <td>Reverse Polarity</td> <td>Protected by sensing circuit</td> </tr> <tr> <td>Transients</td> <td>Protected by filters and rugged component selection</td> </tr> <tr> <td>Catastrophic protection</td> <td>Internal fuse (external fusing recommended)</td> </tr> </table>	Over Current	Limited by current sensing circuit	Over heat	Limited by temperature sensing circuit	Overvoltage and Undervoltage	Limited by sensing circuit	Reverse Polarity	Protected by sensing circuit	Transients	Protected by filters and rugged component selection	Catastrophic protection	Internal fuse (external fusing recommended)
Over Current	Limited by current sensing circuit												
Over heat	Limited by temperature sensing circuit												
Overvoltage and Undervoltage	Limited by sensing circuit												
Reverse Polarity	Protected by sensing circuit												
Transients	Protected by filters and rugged component selection												
Catastrophic protection	Internal fuse (external fusing recommended)												
Approvals	2014/30/EU The general EMC directive Regulation 10 The automotive directive 93/68/EEC The CE marking directive IP65 approved (PV65R and PVPWp) Regulation R118 (Automotive Fire)												
Designed to	EN50498, ISO 7637-2, R118 & R080												
Markings	CE, UKCA and E marked												
IP Rating	IP30/IP65 according to product selection (For IP65 USB connector excluded). Cleaning: wipe with damp cloth, do not spray.												