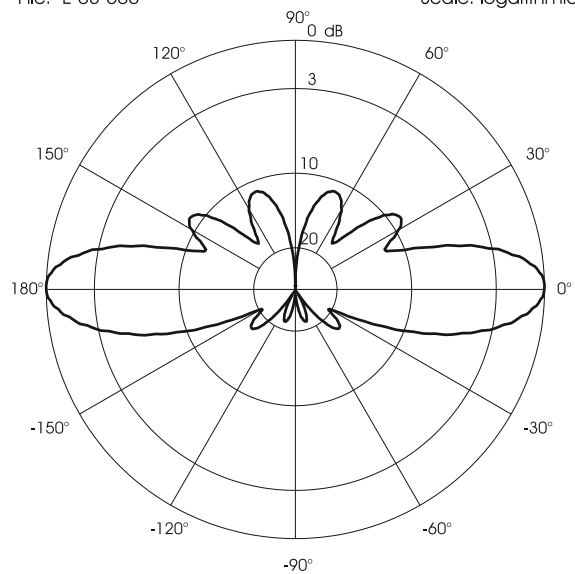


TYPICAL RADIATION PATTERN in E-plane at 435 MHz

File: E-03-006 Scale: logarithmic



SA 703 N

Fiberglass Hi-Gain UHF Antenna for 70 cm band



Installation Manual

DESCRIPTION

Ground Plane colinear antenna for base station service specially conceived for the 70cm amateur band. It is made of very good quality materials to get the best robustness and the highest performance. Its whip is of brass inserted in a fiberglass tube for a total protection against the worst climates and its radials are of stainless steel to get the maximum strength. It is supplied with a solid aluminium bracket for an easy and safe installation to the support mast.

SPECIFICATIONS

Electrical Data

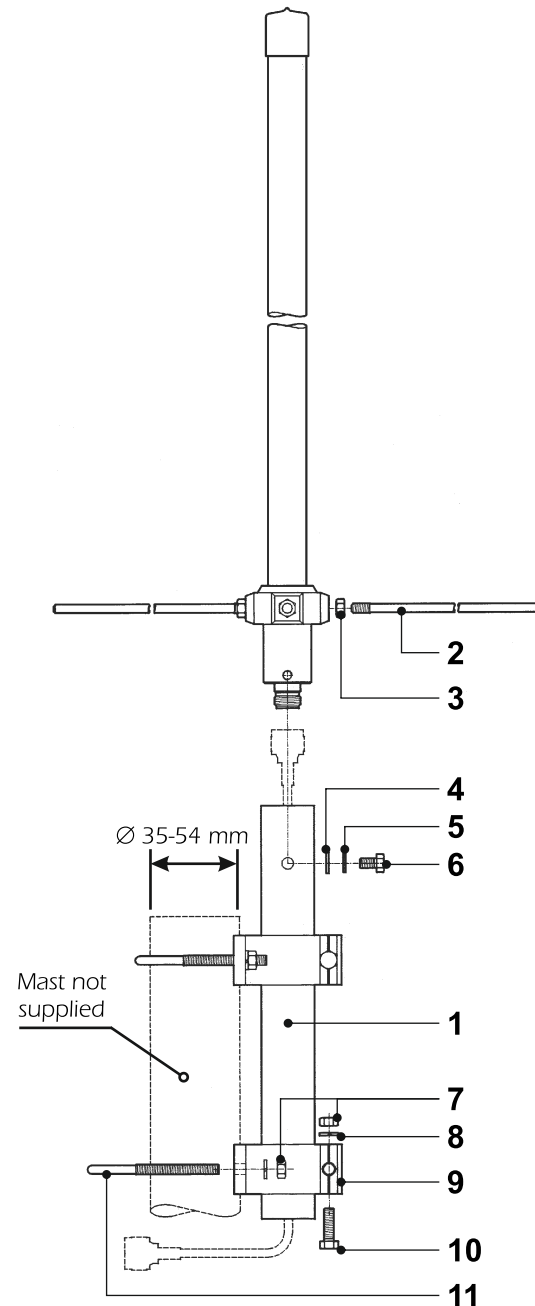
Type	: 3 x 5/8 λ Ground Plane Colinear
Frequency Range	: 427 - 443 MHz @ SWR \leq 2
Impedance	: 50 Ω
Radiation (H-plane)	: 360° Omnidirectional
Radiation (E-plane)	: Beamwidth @ -3 dB = 24°
Radiation angle deg	: 0°
Polarization	: Linear Vertical
Gain	: 4.6 dBd - 6.75 dBi
Max Power	: 200 Watts
Grounding Protection	: All metal parts are DC-grounded, the inner conductor is coupled capacitively
Connector	: N-female, Gold Plated central pin

Mechanical Data

Materials	: Fiberglass, Stainless Steel, Chromed Brass, Aluminium
Wind Load / Resistance	: 55 N @ 150 Km/h / 180 km/h
Wind Surface	: 0.05 m ²
Height (approx.)	: 1730 mm
Weight (approx.)	: 1000 gr
Radial Length (approx.)	: 170 mm
Mounting Mast	: \varnothing 35-54 mm

Available models	Frequency band	Frequency range @ SWR \leq 2
SA 703 N (standard)	Europe 70cm HAM	427 - 443 MHz
SA 703 N (USA)	USA 70cm HAM	437 - 453 MHz

MOUNTING INSTRUCTIONS



Part list

Pos	Q.ty	Description
1	1	\varnothing 29x32x250mm alu. tube
2	3	170mm Stainless steel radials

Antenna Fixing Part list

Re-order code: SA038

Pos	Q.ty	Description
3	3	M6 Hexagonal nut
4	1	M6 washer
5	1	M6 Spring lock washer
6	1	M6x10 Hexagonal head screw

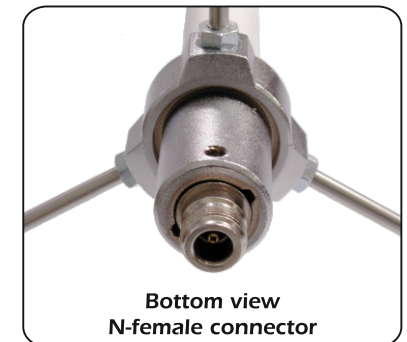
Fixing Bracket Part list

Re-order code: SA104

Pos	Q.ty	Description
7	6	M6 Hexagonal nut
8	6	M6 Spring lock washer
9	2	Extruded aluminium bracket
10	2	M6x20 Hexagonal head screw
11	2	M6x188 V-bolt

Mounting needed tools:

10 mm open key



Bottom view
N-female connector