

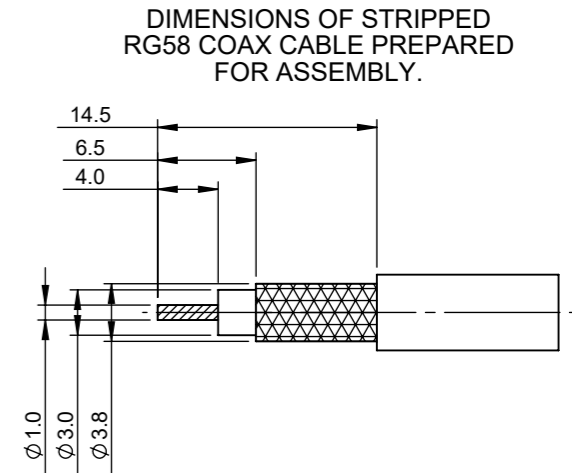
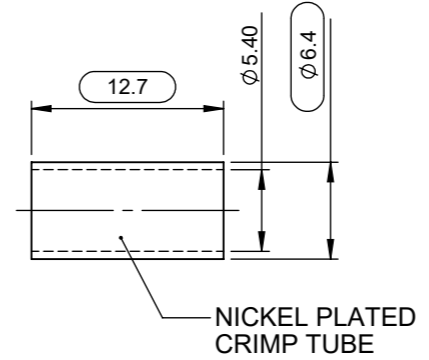
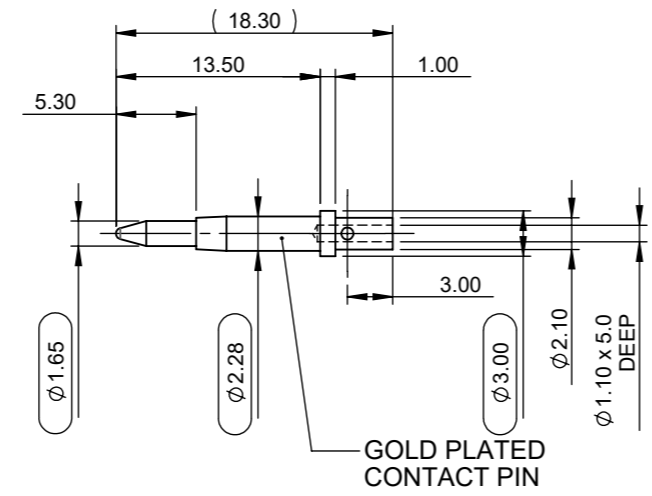
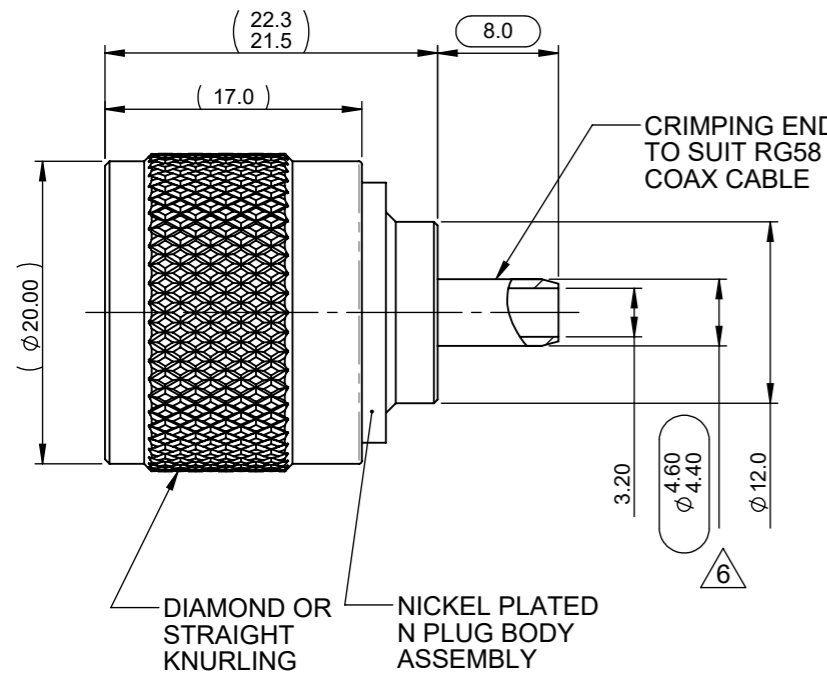
3RD ANGLE PROJECTION
DO NOT SCALE

TOLERANCES UNLESS OTHERWISE STATED

0 DEC. PLACE	±0.5	2 DEC. PLACES	±0.1
1 DEC. PLACE	±0.2	ANGULAR	±1°

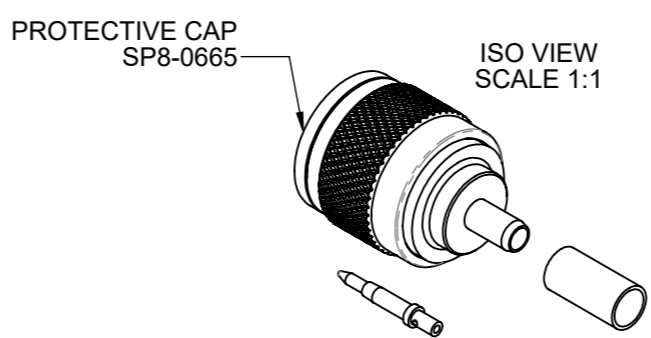
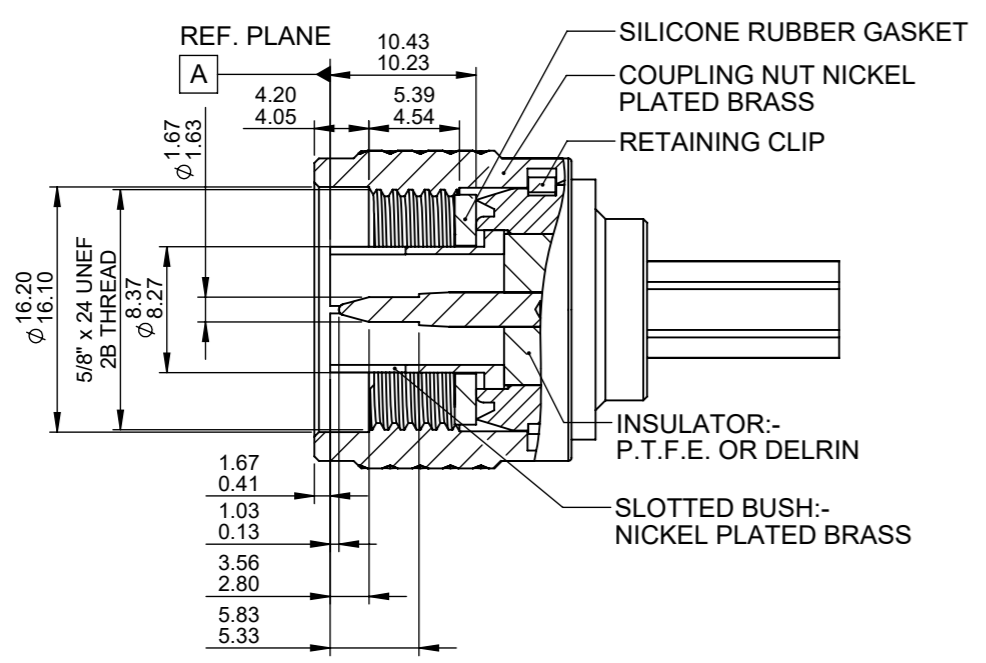
© 2016 A3 THIS DOCUMENT MUST NOT BE COPIED OR DISCLOSED TO A THIRD PARTY WITHOUT THE WRITTEN CONSENT OF PANORAMA ANTENNAS LTD.

DWG. No. SC1-N-PC10



- NOTES:
1. IMPEDANCE 50Ω ± 5Ω AT 2.3 GHz.
 2. CONNECTOR ASSEMBLY MUST CONFORM TO THESE STANDARD INTERFACE DIMENSIONS.
 3. CONTACT PIN MUST REMAIN CAPTIVE AFTER ASSEMBLY OF CONNECTOR.
 4. PROTECTIVE CAP SP8-0665 TO BE SUPPLIED ASSEMBLED TO CONNECTOR.
 5. MATERIALS:
CONNECTOR BODY & COUPLING NUT: BRASS CW603N (CuZn36Pb3), BRASS CW614N (CuZn39Pb3) OR APPROVED EQUIVALENT.
CONTACT PIN: HARD BRASS CW614N (CuZn39Pb3) OR APPROVED EQUIVALENT.
CRIMP TUBE: COPPER, BRASS CW603N (CuZn36Pb3), BRASS CW614N (CuZn39Pb3), OR APPROVED EQUIVALENT.
 6. FINISH:
CONNECTOR BODY & COUPLING NUT: TIN-ZINC-COPPER ALLOY (2.54µm MIN.) OVER COPPER (1.27µm MIN.)
CONTACT PIN: GOLD (0.10µm MIN.) OVER NICKEL PHOSPHOROUS ALLOY (2.03µm MIN.)
CRIMP TUBE: TIN-ZINC-COPPER ALLOY (2.54µm MIN.) OVER COPPER (1.27µm MIN.) OR AS PER CONNECTOR BODY.
 7. ALL DIMENSIONS APPLY AFTER PLATING.
 8. SAMPLES MUST BE APPROVED BY PANORAMA ANTENNAS Q.C. BEFORE COMMENCING PRODUCTION.
 9. ALL MATERIALS SUPPLIED MUST BE RoHS2 (DIRECTIVE 2011/65/EU) COMPLIANT AND MUST NOT CONTAIN ANY SUBSTANCES OF VERY HIGH CONCERN (SVHCs) LISTED UNDER REACH OR POLY-AROMATIC HYDROCARBONS (PAHs), OR PERSISTENT ORGANIC POLLUTANTS (POPs) CONTROLLED BY THE STOCKHOLM CONVENTION.
 10. IN ORDER TO ASSURE COMPLIANCE WITH THE USA DODD-FRANK ACT (SECTION 1502) TIN, GOLD, TANTALUM AND TUNGSTEN CONTAINED IN PANORAMA PRODUCTS MUST BE FULLY TRACEABLE TO A SMELTER APPROVED BY THE CONFLICT-FREE SOURCING INITIATIVE (www.conflictfreesmelter.org).

STANDARD INTERFACE DIMENSIONS



PRODUCT/ASSEMBLY 2008 - CONNECTORS					DESCRIPTION N CRIMP PLUG FOR RG58 OR URM 76 COAX CABLES				
MATERIAL SEE NOTES					APPROVED KD D.O. CHECK IC SCALE 2:1 DIMENSIONS IN mm				
01019	5	UPDATED NOTES AND ADDED PROTECTIVE CAP.	14/12/2015	AR	FINISH SEE NOTES				
01019	6	UPDATE 3D AND NOTES	02/08/2017	MM	P A N O R A M A ANTENNAS				
PCN	REV.	DESCRIPTION	DATE	DRN.	WEIGHT g SHEET 1 OF 1				