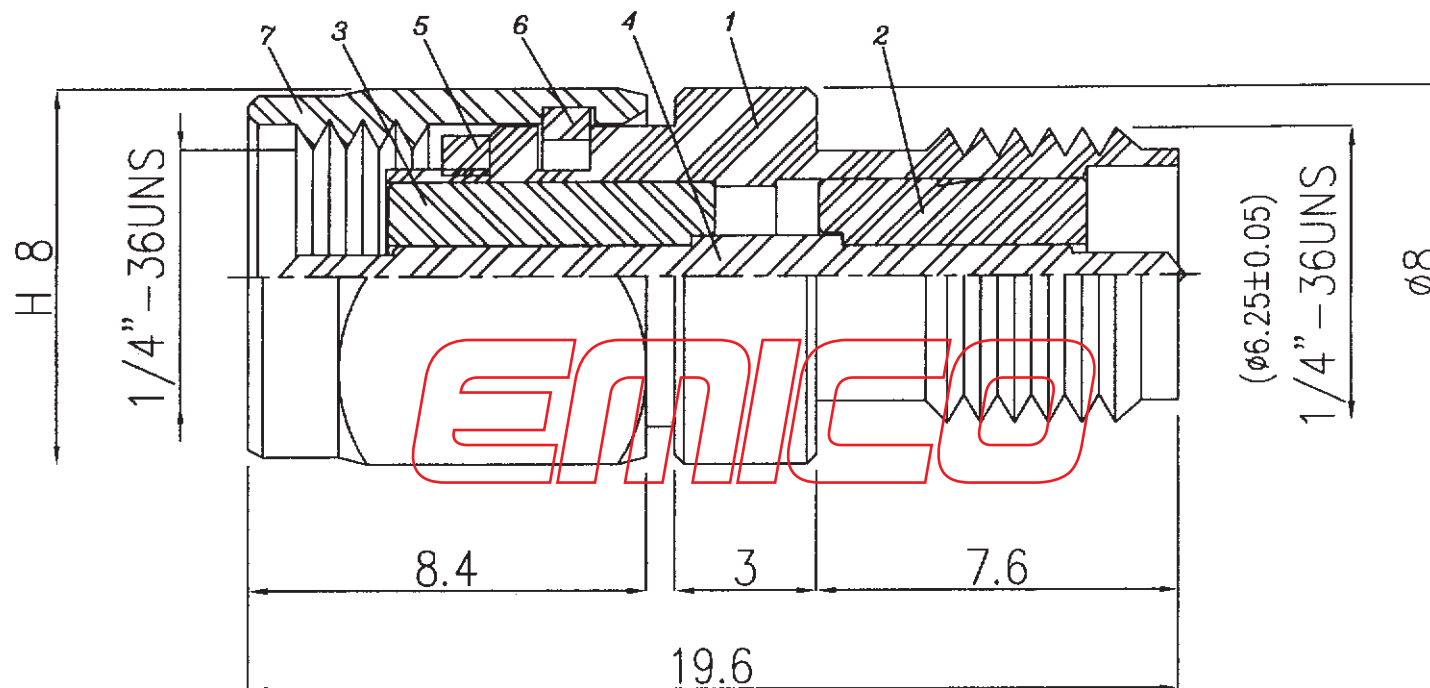
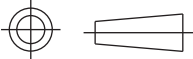


REMARK: RoHS COMPLIANT



MATERIAL / FINISH

- 1. BODY: BRASS / NICKEL
- 2&3. INSULATION: TEFLON
- 4. CONTACT: BRASS / GOLD
- 5. GASKET: RUBBER
- 6. RETAINING RING: BRASS / NICKEL
- 7. SHELL: BRASS / NICKEL

THIRD ANGLE	UNIT	DATE	TITLE: Adapter, SMA Male to RP-SMA Female, Nickel
	MM	2007/10/9	
DRAWING BY	APPROVED BY	VERSION	DRAWING NO. EM-SA150-NGT
LEE	H	A	

EMICO® **CONNECT YOUR LIFE**

TEL: +886-3-3117527; +886-3-3119828

FAX: +886-3-2225330

E-mail: emico.tw@msa.hinet.net

Website: www.emico-tw.com.tw

EMICO INDUSTRY CORPORATION