

2J6602B-2.4

2.4 GHz ISM Screw Mount

Key Features

2.4 GHz ISM

- 2410-2490 MHz

Screw Mount

Low Profile

Anti-Rotation Mechanism

Ground Plane Independent

Customizable Cable and Connector

Dimensions $\varnothing 77.3 \times 15$ mm

Certificates: IP67, IP69K



1. Antenna and electrical specifications

| Parameters | 2.4 GHz ISM Antenna |
|-----------------------------|---|
| Standards | WiFi, BT, ZigBee, ISM |
| Band (MHz) | 2.4 GHz |
| Frequency (MHz) | 2410-2490 |
| Return Loss (dB) | ~-14.3 |
| VSWR | ~1.5:1 |
| Efficiency (%) | ~48.7 |
| Peak Gain (dBi) | ~4.9 |
| Average Gain (dB) | ~-3.1 |
| Impedance (Ohm) | 50 |
| Polarisation | Linear |
| Radiation Pattern | Omni-Directional |
| Max. Input Power (W) | 25 |
| Connector Type | RP-SMA-Male Standard (Other Connectors Available) |
| Cable Length | 300 cm Standard (Any Cable Length Available) |
| Cable Type | D302 Standard (Other Cables Available) |

Antenna Measurement Conditions:

Mounted on Ground Plane of 30x30 cm

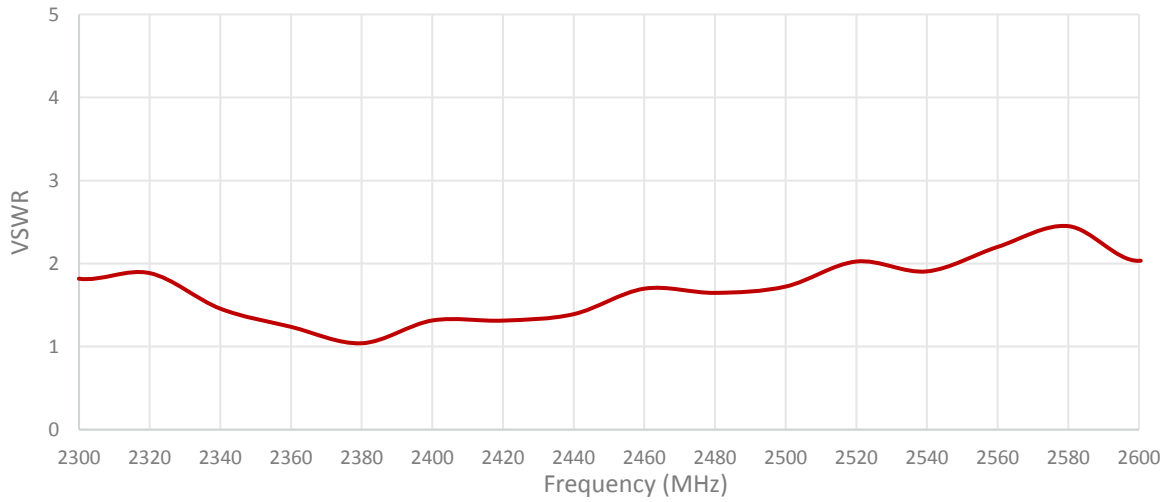
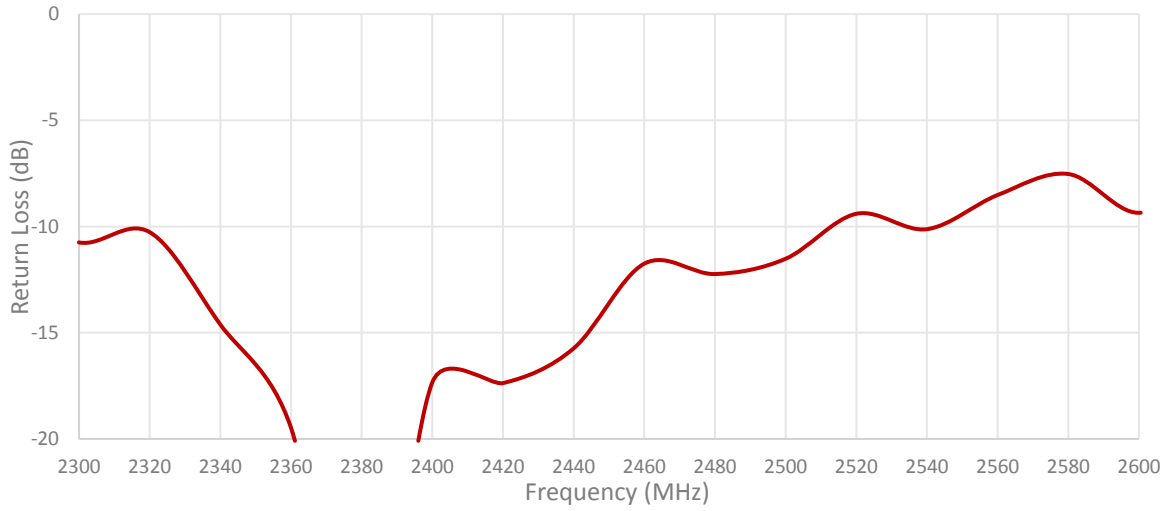
200 cm of D302 Cable

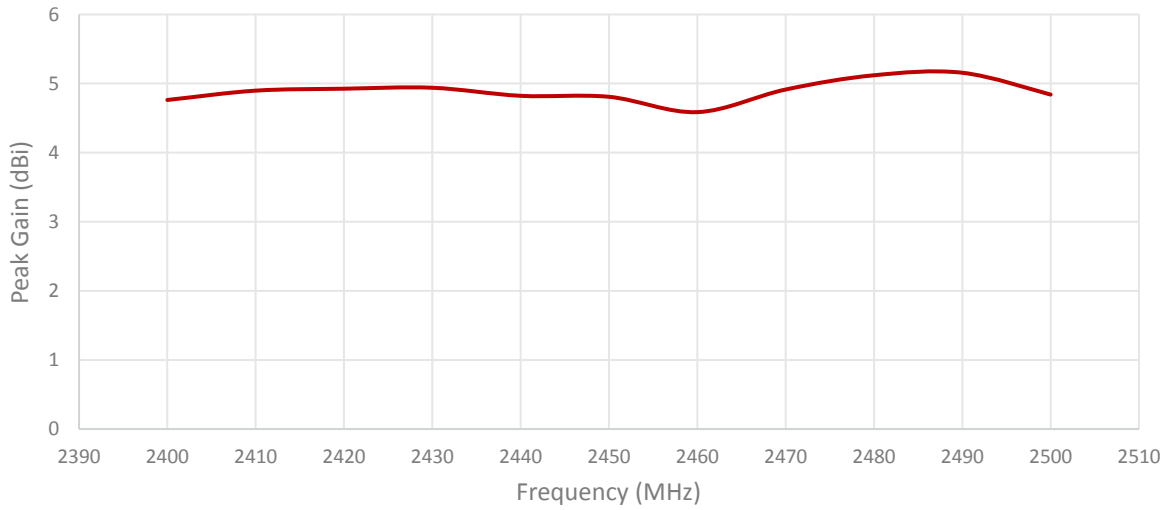
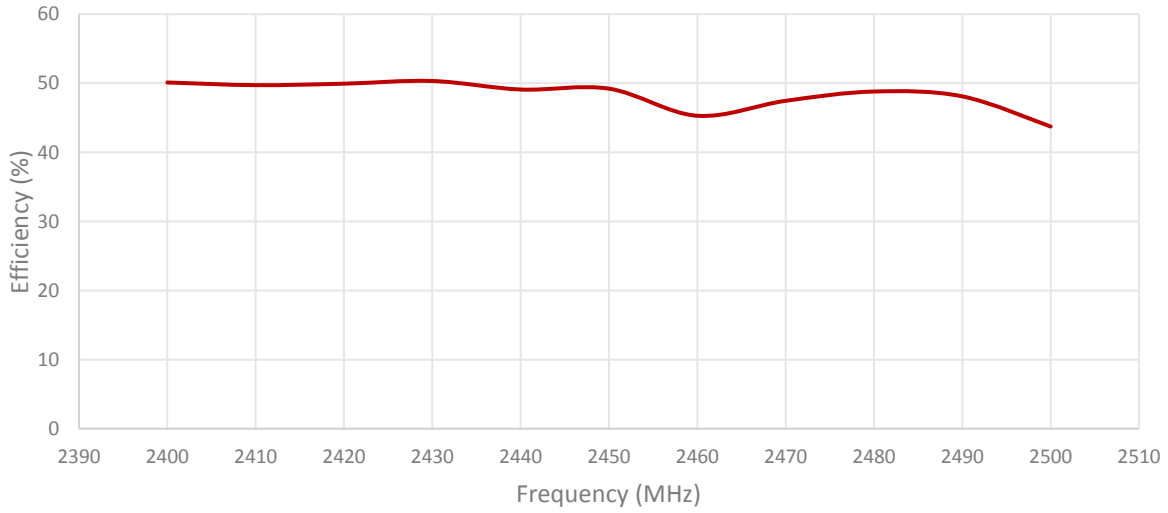
Measured in Certified CTIA 3D Anechoic Chamber

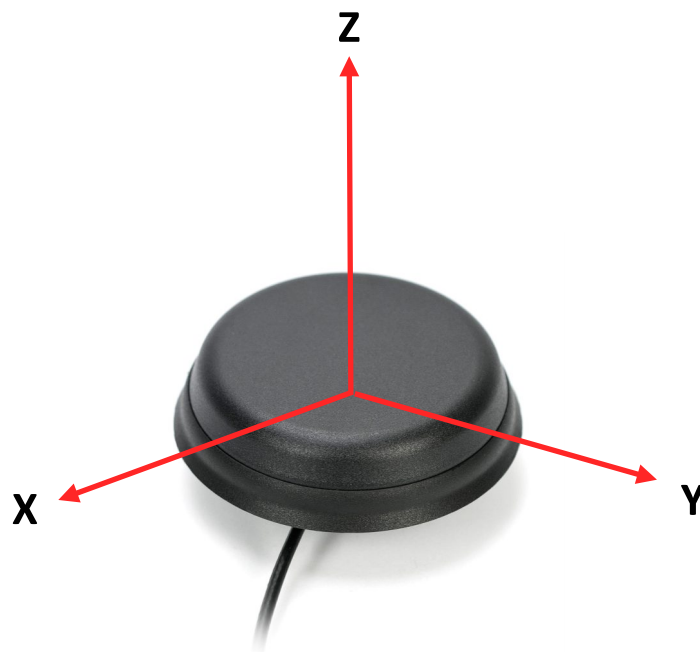
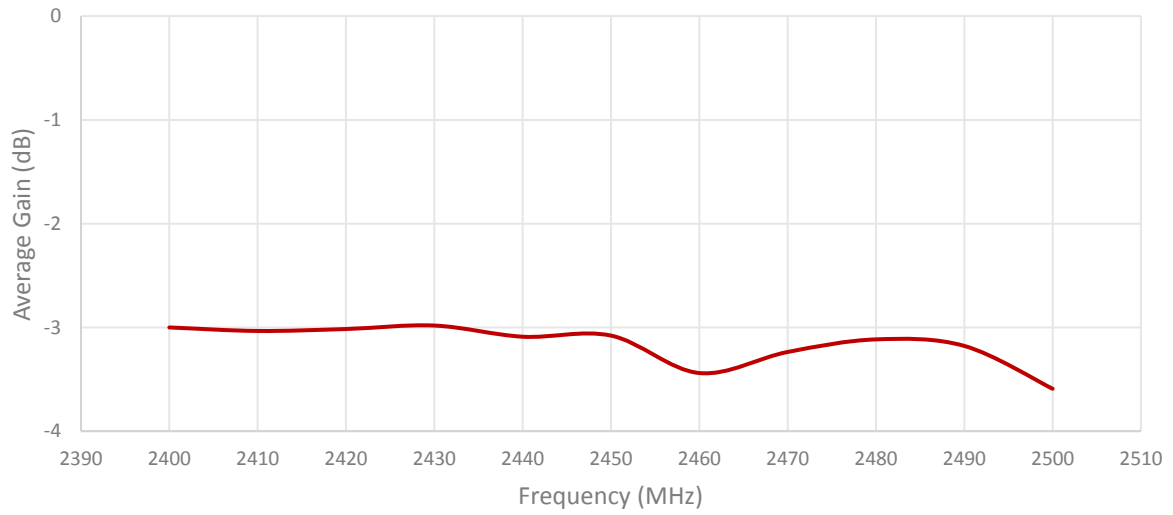
2. Mechanical and environmental specifications

| Specifications | 2J6602B-2.4 |
|----------------------------------|----------------|
| Mounting Type | Screw Mount |
| Dimensions (mm) | Ø 77.3 × 15 |
| Max. Tighten Torque (Nm) | 6 Nm |
| Radome | ASA |
| Radome color | Black or White |
| Antenna Base | Zamak |
| Gasket | TPE |
| Operating Temperature (C) | -40 to +85 |
| Storage Temperature (C) | -40 to +85 |
| Substance Compliance | RoHS |
| Certificates | IP67, IP69K |

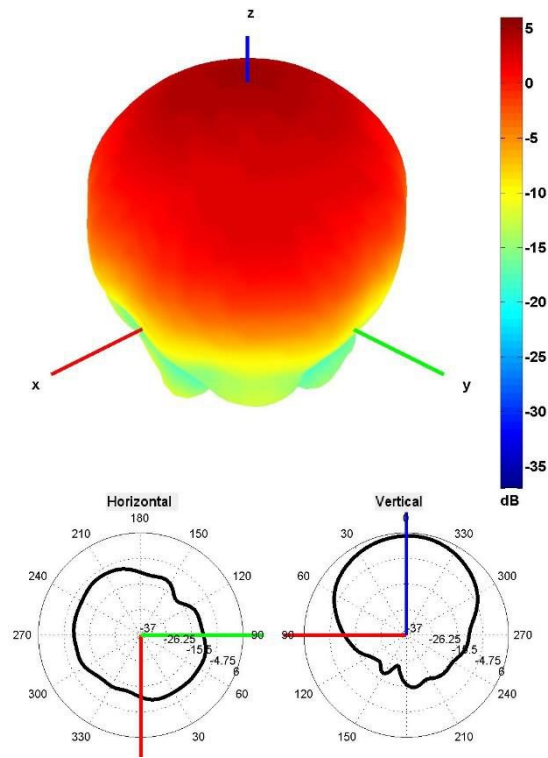
3. Antenna parameters





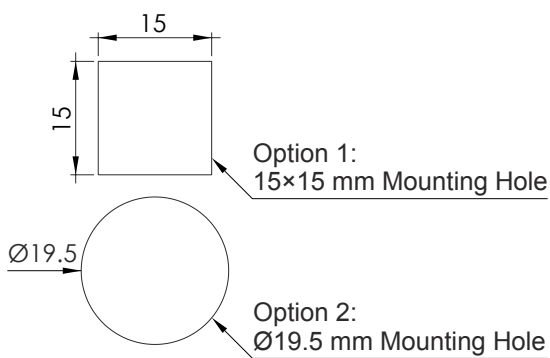
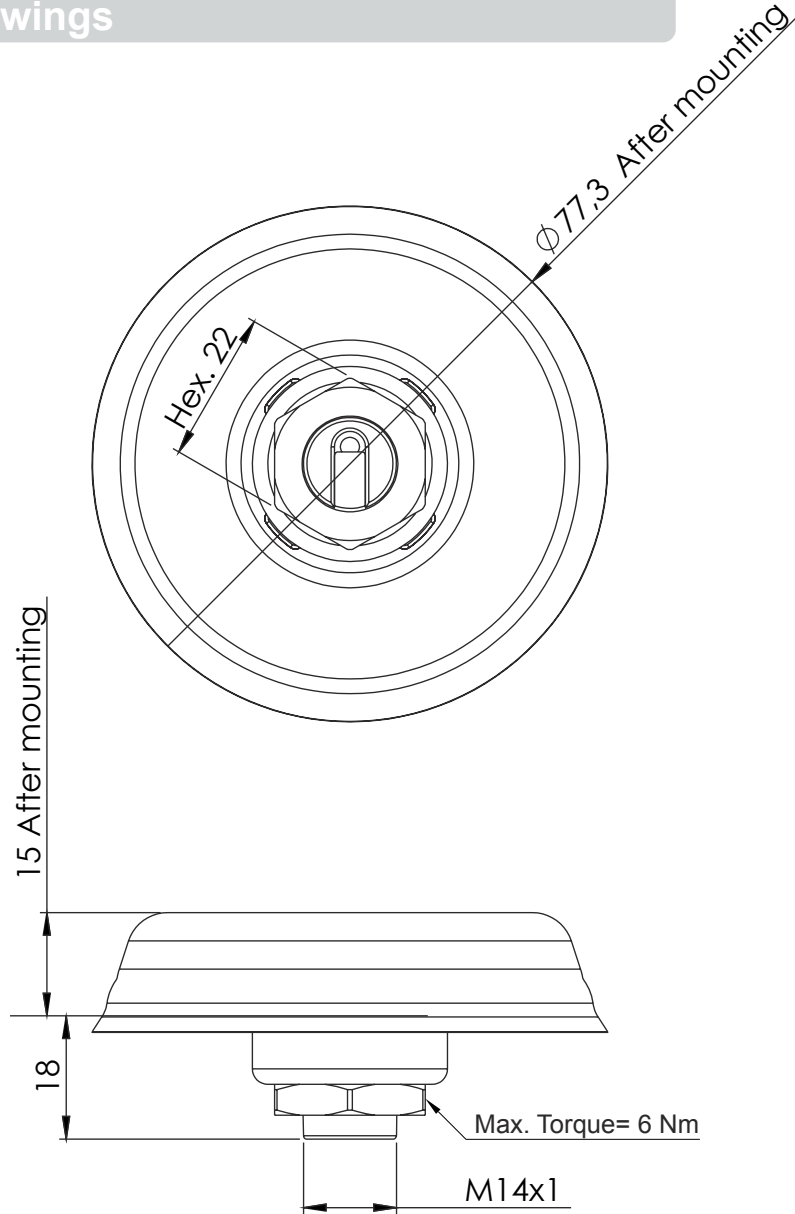


Radiation pattern reference



2450 MHz Radiation pattern

4. Antenna drawings



Note: Dimensions are in millimeters
***Dimensions are after mounting**
****Max. Torque= 6 Nm**

5. Antenna Images

