

## 2J6934B

### IRIDIUM/GPS Screw Mount

#### Key Features

##### GPS/QZSS/Galileo and IRIDIUM

- 1575 MHz
- 1616-1627 MHz

##### Iridium Certified

- Screw Mount
- Low Profile
- High Gain
- Single Feed Technology
- Anti-Rotation Mechanism
- Ground Plane Independent
- Customizable Cable and Connector
- Dimensions 80 × 74 × 25.6 mm
- Certificates: IP67, IP69



## 1. Antenna and electrical specifications

Cable 1

Parameters	GNSS and IRIDIUM Screw Mount Antenna	
	GPS/QZSS/Galileo	IRIDIUM
<b>Standards</b>	GPS/QZSS/Galileo	IRIDIUM
<b>Bands (MHz)</b>	1575	1621
<b>Frequency (MHz)</b>	1575.42	1616 - 1627
<b>Return Loss (dB)</b>	~-27.6	~-21.6
<b>VSWR</b>	~1.1:1	~1.3:1
<b>Efficiency (%)</b>	~93.8	~92.9
<b>Peak Gain (dBi)</b>	~5.1	~5.7
<b>Average Gain (dB)</b>	~-0.3	~-0.3
<b>Impedance (Ohms)</b>	50	
<b>Radiation Pattern</b>	Hemispherical	
<b>Polarization</b>	RHCP	
<b>Connector Type</b>	SMA-Male Standard (Other Connectors Available)	
<b>Cable Length</b>	300 cm Standard (Any Cable Length Available)	
<b>Cable Type</b>	LL195 Standard (Other Cables Available)	

### Antenna Measurement Conditions:

Mounted on Metal Plate of 70 x 70 mm

200 mm of Cable LL195

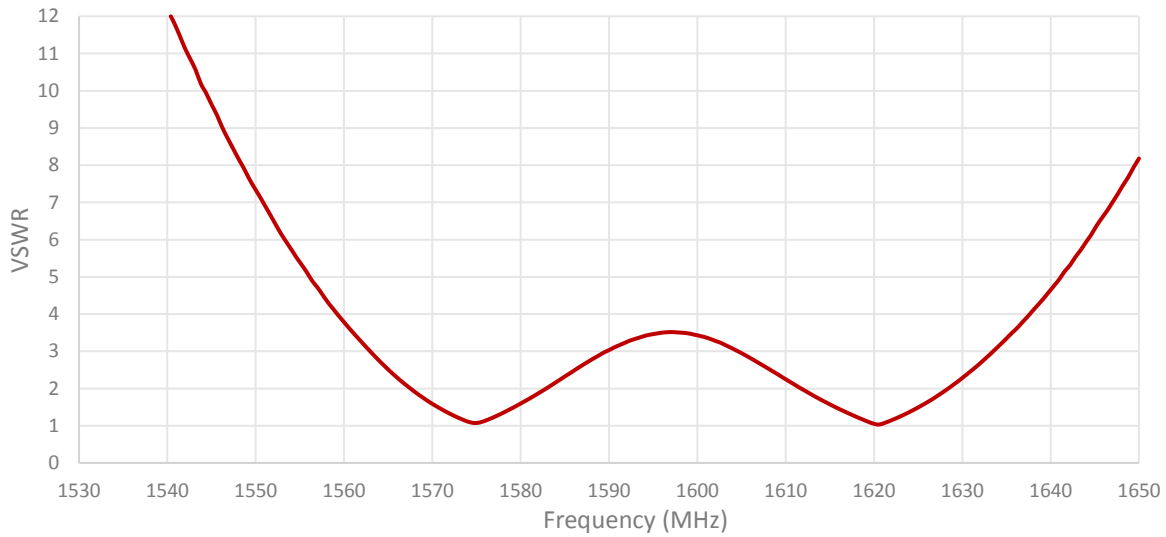
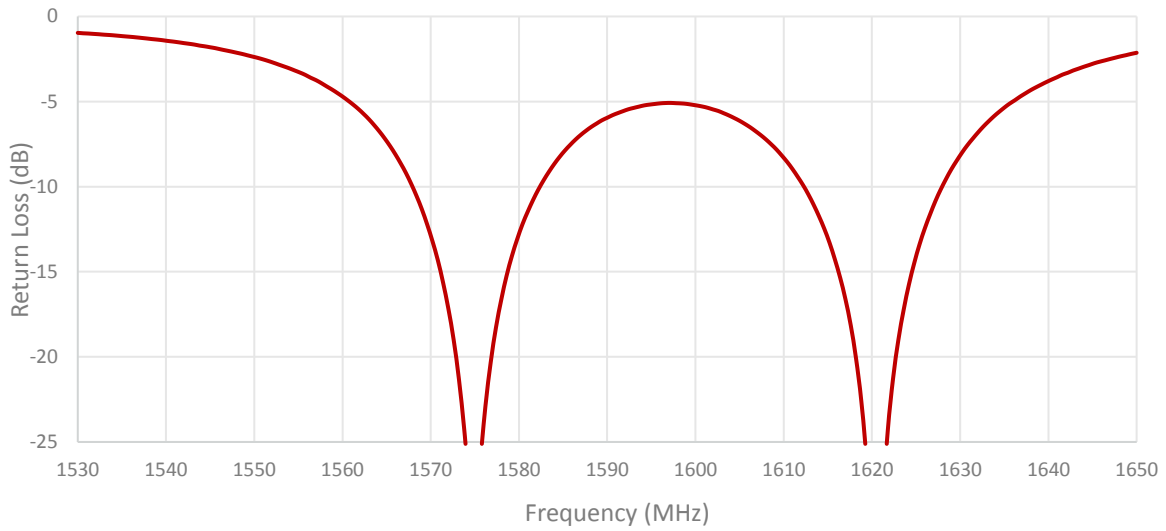
Measured in Certified CTIA 3D Anechoic Chamber

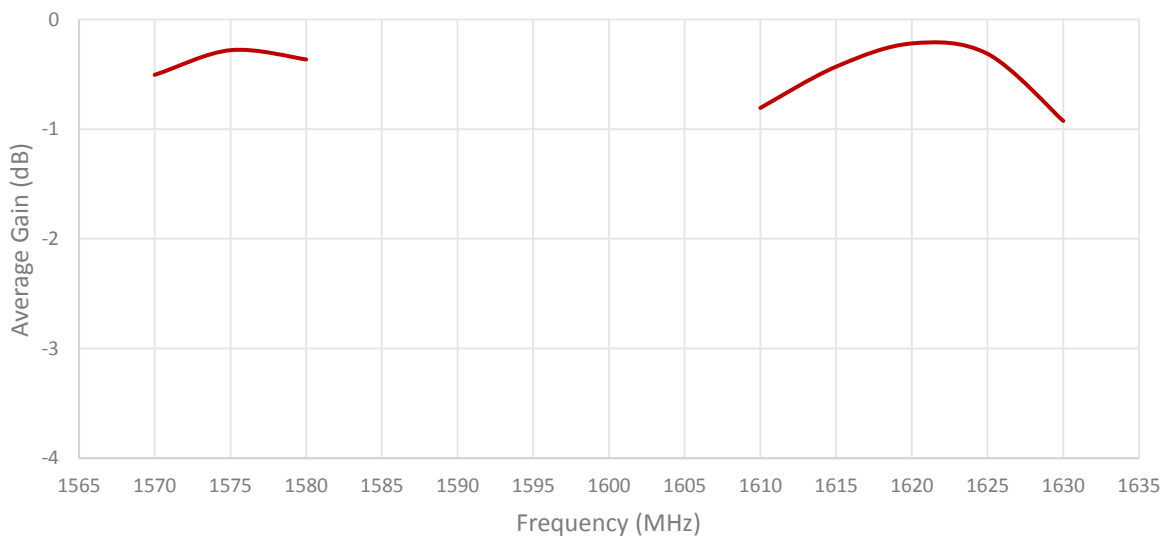
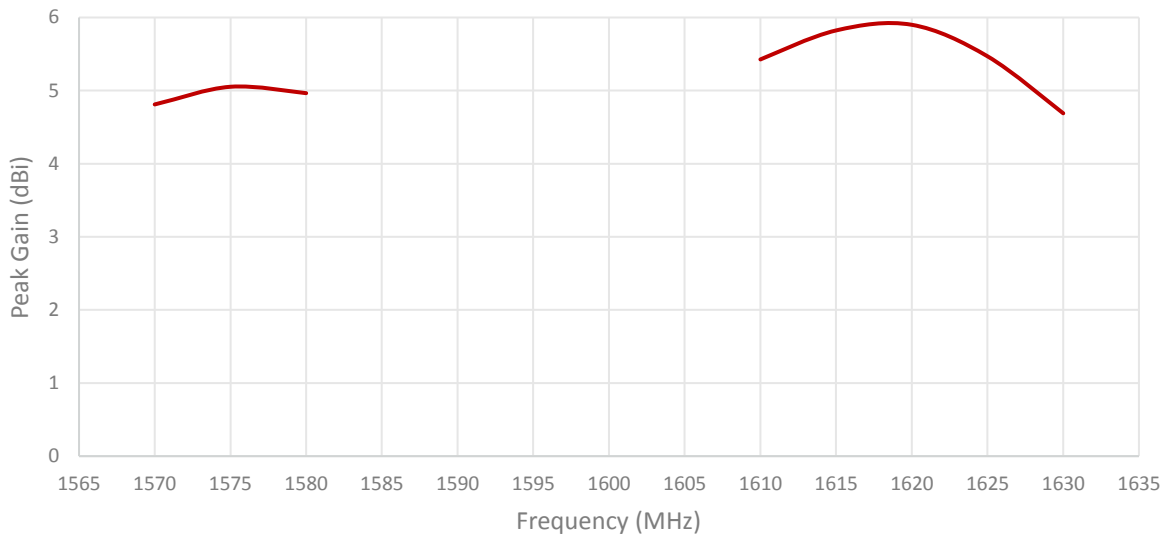
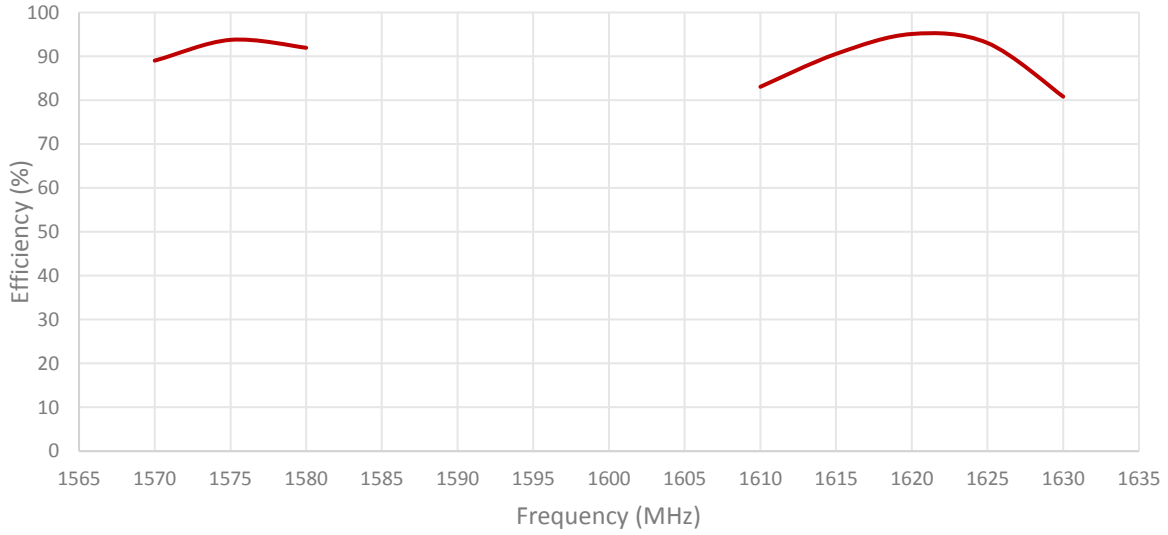
## 2. Mechanical and environmental specifications

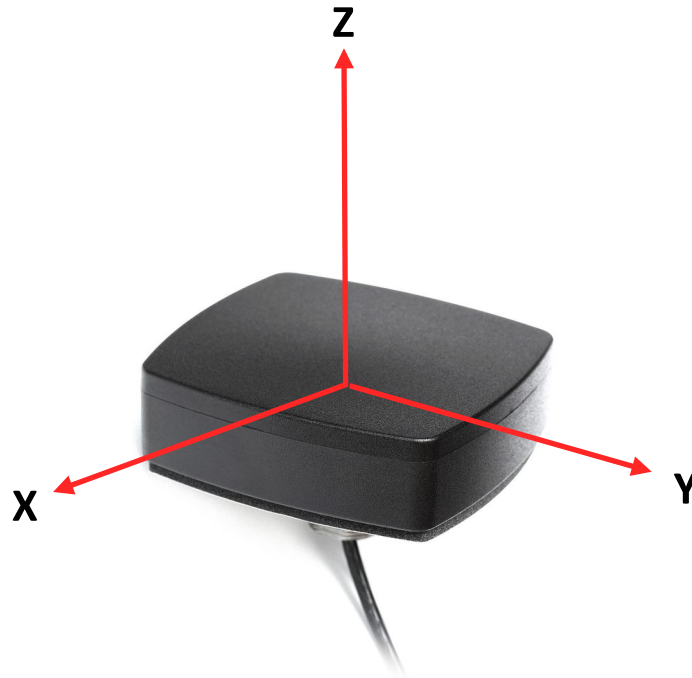
Specifications	2J6934B
<b>Mounting Type</b>	Screw Mount
<b>Dimensions (mm)</b>	80 × 74 × 25.6
<b>Max. Tighten Torque (Nm)</b>	5 Nm
<b>Radome Type</b>	ABS UV Stable
<b>Radome Color</b>	Black, White
<b>Operating Temperature (C)</b>	-40 to +85
<b>Storage Temperature (C)</b>	-40 to +85
<b>Substance Compliance</b>	RoHS
<b>Certificates</b>	Iridium Certified, IP67, IP69

### 3. Antenna parameters

**Cable 1: IRIDIUM/GPS**

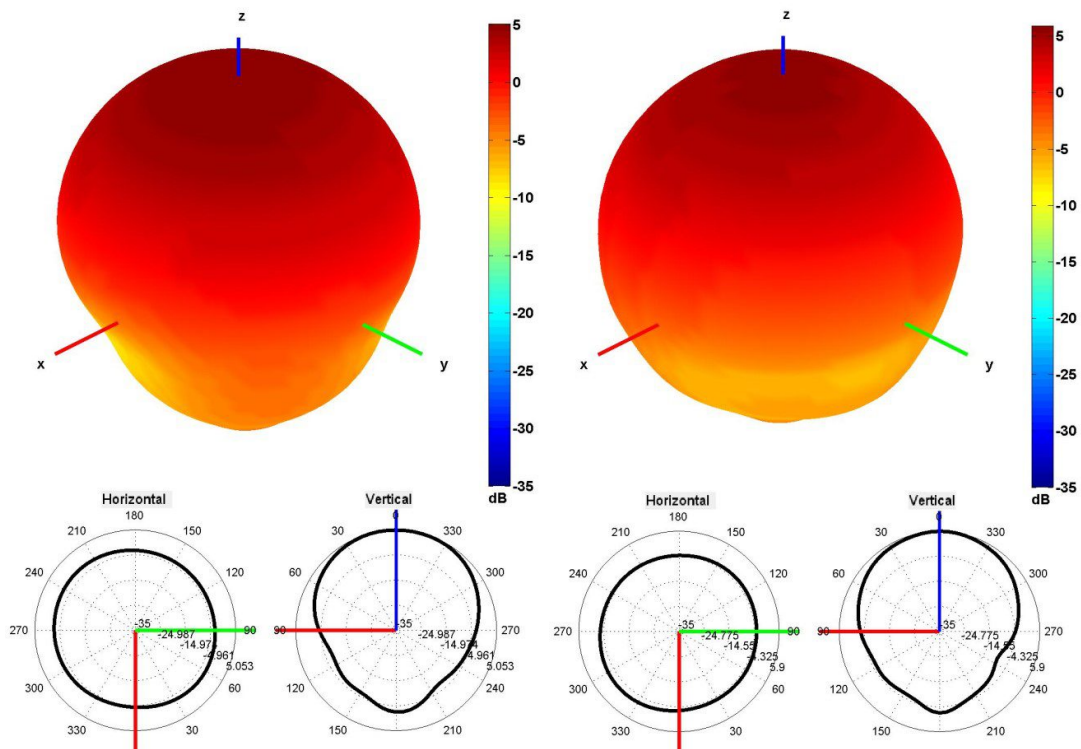






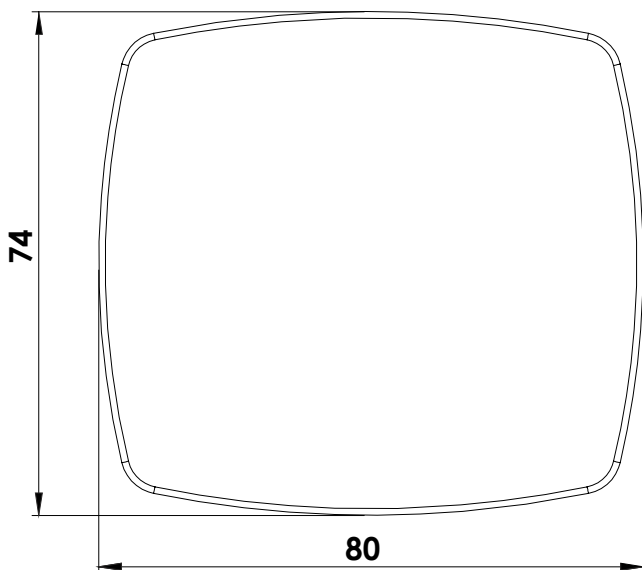
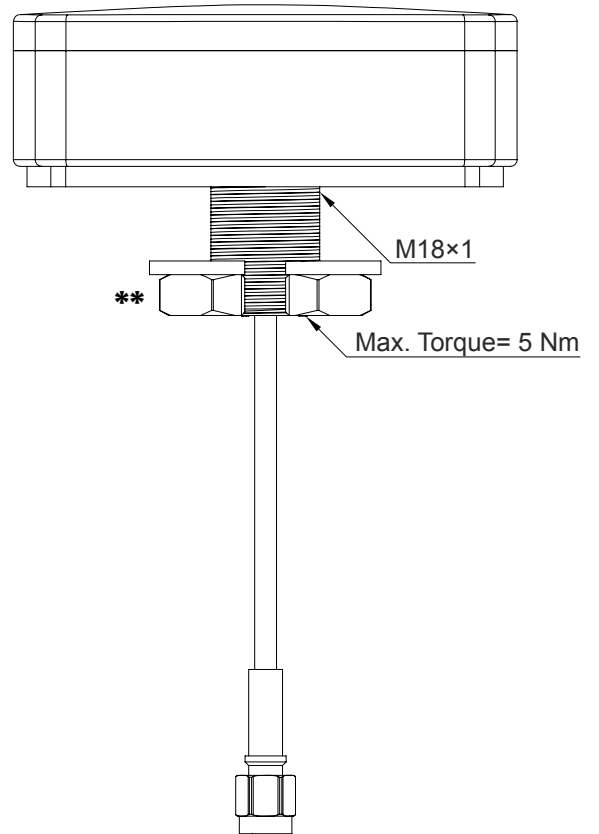
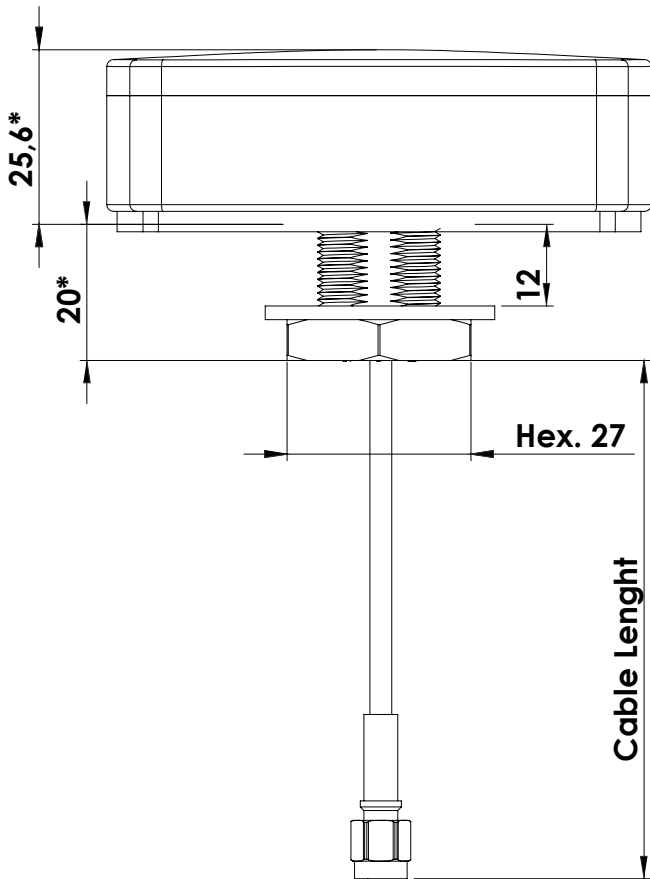
Radiation pattern reference

Cable 1: IRIDIUM/GPS

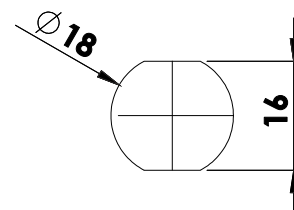


1575 and 1621 MHz Radiation pattern

## 4. Antenna drawings



### Mounting hole



Max. mounting thickness 12mm  
 Note: Dimensions are in millimeters  
 \*Dimensions are after mounting  
 \*\*Max. Torque= 5 Nm

5. Antenna Images

