

# BAT120

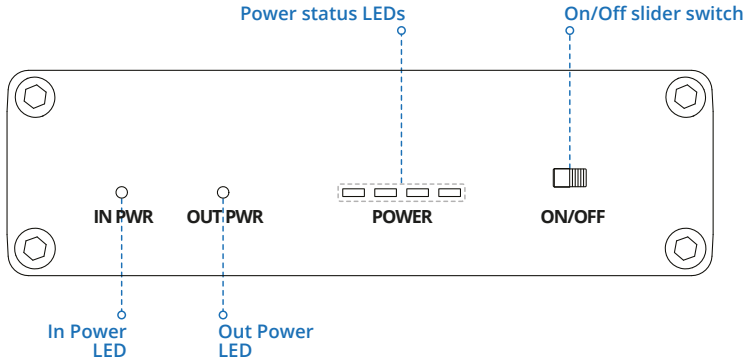
Quick Start Guide v1.1



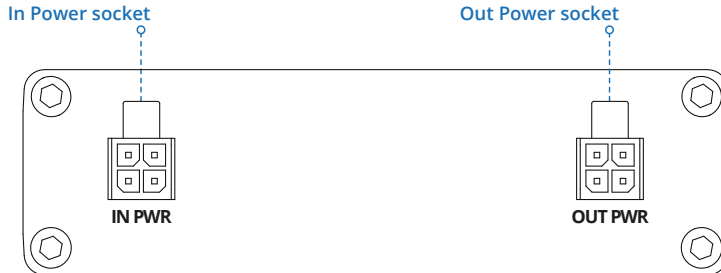
Wiki knowledge base  
<https://wiki.teltonika-networks.com/>



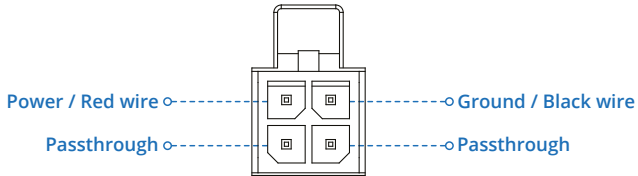
## FRONT VIEW



## BACK VIEW



## IN/OUT POWER SOCKET PINOUT



## LED INFORMATION

- IN PWR LED lights up – PSU connected to IN PWR socket.
- OUT PWR LED lights up – OUT PWR socket connected to the device.
- POWER LEDs light up – Shows BAT120 state of charge. Every LED is 25% of SOC.
- All LEDs blinking every 500 ms – BAT120 overheated.
- OUT PWR LED blinking every 500 ms – OUT PWR shorted.
- POWER LEDs lighting up in sequence – BAT120 is charging.
- POWER LEDs blinks every 5 s – BAT120 is in sleep mode.

## HARDWARE INSTALLATION

1. Connect Teltonika Networks device power input (PWR) with BAT120 power output (OUT PWR) using provided 4-pin to 4-pin cable.
2. Connect PSU 4-pin plug to BAT120 power input (IN PWR) to power up BAT120 and the end device.

## BAT120 CHARGING

1. Set On/Off slider located on BAT120 front panel to On state.
2. Connect provided PSU to IN PWR socket.
3. As BAT120 starts charging, it will also power the Teltonika Networks device connected to the OUT PWR socket.

## TECHNICAL INFORMATION

Technical specifications	
Input voltage range	9 – 30 VDC
Output voltage in passthrough mode	9 – 30 VDC
Output voltage in battery mode	12 VDC
Max output power/current in battery mode	22 W/1.8 A
Battery capacity	2300 mAh
Working temperature	0 °C to 45 °C
Bundled accessories specifications*	
Power adapter	Input: 0.45 A@100-240 VAC, Output: 12 VDC, 2 A, 4 pin plug
Power cable	4-pin to 4-pin power cable 4 x 0.2 mm <sup>2</sup> (24 AWG), 1000 mm

\*Order code dependent.

## WARNING

This device is equipped with a lithium-ion cells. Do not open the casing to avoid cell damage or other hazards.

It is strictly forbidden to dismantle, squeeze, pierce, insert any foreign object and short circuit BAT120, or expose it to liquids, fire or environments where the temperature is above 60°C.

## SAFETY INFORMATION

BAT120 router must be used in compliance with any and all applicable national and international laws and with any special restrictions regulating the utilization of the communication module in prescribed applications and environments.

[BG] Bulgarian	С настоящето, TELTONIKA NETWORKS декларира, че BAT120 е в съответствие със съществените изисквания и другите приложими разпоредби на Директива 2014/30/EU.
[HR] Croatian	Ovim TELTONIKA NETWORKS izjavljujemo da je ovaj BAT120 u skladu s bitnim zahtjevima i ostalim relevantnim odredbama Direktive 2014/30/EU.
[CZ] Czech	TELTONIKA NETWORKS tímto prohlašuje, že BAT120 splňuje základní požadavky a všechna příslušná ustanovení Směrnice 2014/30/EU.
[DK] Danish	Undertegnede TELTONIKA NETWORKS erklærer herved, at følgende udstyr BAT120 overholder de væsentlige krav og øvrige relevante krav i direktiv 2014/30/EU.
[NL] Dutch	Hierbij verklaart TELTONIKA NETWORKS dat het toestel I BAT120 in overeenstemming is met de essentiële eisen en de andere relevante bepalingen van richtlijn 2014/30/EU.
[EN] English	Hereby, TELTONIKA NETWORKS declares that this BAT120 is in compliance with the essential requirements and other relevant provisions of Directive 2014/30/EU.
[EE] Estonian	Käesolevaga kinnitab TELTONIKA NETWORKS seadme BAT120 vastavust direktiivi 2014/30/EU põhinõuetele ja nimetatud direktiivist tulenevatele teistele asjakohastele sätetele.
[FI] Finnish	TELTONIKA NETWORKS vakuuttaa täten että BAT120 tyyppinen laite on direktiivin 2014/30/EU oleellisten vaatimusten ja sitä koskevien direktiivin muiden ehtojen mukainen.
[FR] French	TELTONIKA NETWORKS déclare que cette BAT120 est conforme aux exigences essentielles et aux autres dispositions pertinentes de la directive 2014/30/EU.
[DE] German	Hiermit erklärt TELTONIKA NETWORKS, dass dieser BAT120 den grundlegenden Anforderungen und anderen relevanten Bestimmungen der Richtlinie 2014/30/EU entspricht.
[GR] Greek	ΜΕ ΤΗΝ ΠΑΡΟΥΣΑ Ο ΚΑΤΑΣΚΕΥΑΣΤΗΣ ΤΗΛΤΟΝΙΚΑ ΝΕΤΟΥΡΚΣ ΔΗΛΩΝΕΙ ΟΤΙ Η ΒΑΤ120 ΣΥΜΜΟΡΦΩΝΕΤΑΙ ΠΡΟΣ ΤΙΣ ΟΥΣΙΩΔΕΙΣ ΑΠΑΙΤΗΣΕΙΣ ΚΑΙ ΤΙΣ ΛΟΙΠΕΣ ΣΧΕΤΙΚΕΣ ΔΙΑΤΑΞΕΙΣ ΤΗΣ ΟΔΗΓΙΑΣ 2014/30/EU.
[HU] Hungarian	A TELTONIKA NETWORKS ezennel kijelenti, hogy a BAT120 típusú berendezés teljesíti az alapvető követelményeket és más 2014/30/EU irányelvben meghatározott vonatkozó rendelkezéseket.
[IE] Irish	Leis seo, dearbhaíonn TELTONIKA NETWORKS go gcomhlíonann an BAT120 seo bunriachtanais agus forálacha ábhartha eile Theoiric 2014/30/EU.
[IT] Italian	Con la presente, TELTONIKA NETWORKS dichiara che questo BAT120 è conforme ai requisiti essenziali e ad altre disposizioni pertinenti della Direttiva 2014/30/EU.
[LV] Latvian	Ar šo TELTONIKA NETWORKS deklarē, ka BAT120 atbilst Direktīvas 2014/30/EU būtiskajām prasībām un citiem ar to saistītajiem noteikumiem.
[LT] Lithuanian	Šiuo dokumentu UAB TELTONIKA NETWORKS deklaruoja, kad šis BAT120 atitinka esminius reikalavimus ir kitas 2014/30/EU Direktyvos nuostatas.
[MT] Maltese	Hawn hekk, TELTONIKA NETWORKS tidjikkara li dan I-BAT120 huwa konformi mar-rekwiżiti essenzjali u dispozizzjonijiet rilevanti oħra tad-Direttiva 2014/30/EU.
[NO] Norwegian	TELTONIKA NETWORKS Erklærer herved at BAT120 er i samsvar med de grunnleggende krav og øvrige relevante krav i direktiv 2014/30/EU.
[PL] Polish	Niniejszym TELTONIKA NETWORKS deklaruje że BAT120 jest zgodny z zasadniczymi wymaganiami i innymi właściwymi postanowieniami Dyrektywy 2014/30/EU.
[PT] Portuguese	Eu, TELTONIKA NETWORKS declaro que o BAT120 cumpre os requisitos essenciais e outras provisões relevantes da Directiva 2014/30/EU.
[RO] Romanian	Prin prezenta, TELTONIKA NETWORKS declară că aparatul BAT120 este în conformitate cu cerințele esențiale și cu alte prevederi pertinente ale Directivei 2014/30/EU.
[SK] Slovak	Spoločnosť TELTONIKA NETWORKS týmto vyhlasuje, že smerovač BAT120 je v súlade so základnými požiadavkami a ďalšími príslušnými ustanoveniami smernice 2014/30/EU.
[SI] Slovenian	TELTONIKA NETWORKS izjavlja, da je ta BAT120 v skladu z bistvenimi zahtevami in drugimi relevantnimi določili direktive 2014/30/EU.
[ES] Spanish	Por la presente, TELTONIKA NETWORKS declara que este BAT120 cumple con los requisitos esenciales y otras exigencias relevantes de la Directiva 2014/30/EU.
[SE] Swedish	Härmed intygar TELTONIKA NETWORKS att denna BAT120 är i överensstämmelse med de väsentliga egenskapskrav och övriga relevanta bestämmelser som framgår av direktiv 2014/30/EU.

The full text of the EU declaration of conformity is available at the following Internet address: [https://wiki.teltonika-networks.com/view/BAT120\\_CE](https://wiki.teltonika-networks.com/view/BAT120_CE)

- [BG]** Инструкция: Свържете адаптера на захранване, за да включите устройството. Повече информация в <https://wiki.teltonika-networks.com/>
- [HR]** Upute za uporabu: Priključite napajanje. Više informacija na <https://wiki.teltonika-networks.com>
- [CZ]** Návod k použití: Připojte napájecí adaptér k zapnutí přístroje. Více informací najdete v <https://wiki.teltonika-networks.com/>
- [DK]** Instruktionsbog: Tilslut strømadapteren for at tænde for enheden. Mere information i <https://wiki.teltonika-networks.com/>
- [NL]** Handleiding: Sluit voedingsadapter aan op het apparaat in te schakelen. Meer informatie in <https://wiki.teltonika-networks.com/>
- [EN]** Instruction Manual: Connect the power adapter to turn on the device. More information on <https://wiki.teltonika-networks.com/>
- [EE]** Kasutusjuhend: Ühendage toiteadapter seadme sisselülitamiseks. Rohkem teavet <https://wiki.teltonika-networks.com/>
- [FI]** Käyttöohje: Kytke virtalähde päälle laitteen. Lisää tietoa <https://wiki.teltonika-networks.com/>
- [FR]** Mode d'emploi: Connectez l'adaptateur d'alimentation pour allumer l'appareil. Plus d'informations dans <https://wiki.teltonika-networks.com/>
- [DE]** Bedienungsanleitung: Verbinden Sie das Netzteil, um das Gerät einzuschalten. Weitere Informationen im <https://wiki.teltonika-networks.com/>
- [GR]** εγχειρίδιο οδηγιών: Συνδέστε τον προσαρμογέα τροφοδοσίας για να ενεργοποιήσετε τη μονάδα. Περισσότερες πληροφορίες στο <https://wiki.teltonika-networks.com/>
- [HU]** Használati utasítás: Csatlakoztassa a hálózati adaptert a készülék bekapcsolásához. Több információ <https://wiki.teltonika-networks.com/>
- [IE]** Lámhleabhar Treoracha: Ceangail an t-adapter cumhachta chun an gléas a chasadh air. Tuilleadh eolais ar <https://wiki.teltonika-networks.com>
- [IT]** Manuale di istruzioni: collegare l'adattatore di alimentazione per accendere il dispositivo. Maggiori informazioni su <https://wiki.teltonika-networks.com>
- [LV]** Lietošanas instrukcija: Pievienojiet Strāvas adapteri, lai ieslēgtu ierīci. Plašāka informācija <https://wiki.teltonika-networks.com/>
- [LT]** Naudojimosi instrukcija: Prijunkite maitinimo adapterį, įjunkite įrenginį. Daugiau informacijos rasite <https://wiki.teltonika-networks.com/>
- [MT]** Manwal tal-Istruzzjoni: Qabdad l-adapter tal-enerġija biex tixgħel l-apparat. Aktar informazzjoni dwar <https://wiki.teltonika-networks.com>
- [NO]** Bruksanvisningen: Koble strømadapteren for å slå på enheten. Mer informasjon på <https://wiki.teltonika-networks.com/>
- [PL]** Instrukcja obsługi: Podłącz adapter zasilania, aby włączyć urządzenie. Więcej informacji w <https://wiki.teltonika-networks.com/>
- [PT]** Manual de instruções: Conecte o adaptador de alimentação para ligar o aparelho. Mais informações em <https://wiki.teltonika-networks.com/>
- [RO]** Instrucțiunile de utilizare: Conectați adaptorul de alimentare pentru a porni aparatul. Mai multe informații în <https://wiki.teltonika-networks.com/>
- [SK]** Návod na použitie: Pripojením napájacieho adaptéra zapnete zariadenie. Viac informácií na <https://wiki.teltonika-networks.com>
- [SI]** Navodila: Priključite napajalnik za vklop naprave. Več informacij v <https://wiki.teltonika-networks.com/>
- [ES]** Manual de instrucciones: Conecte el adaptador de alimentación para encender la unidad. Más información en <https://wiki.teltonika-networks.com/>
- [SE]** Instruktionsmanual: Anslut nätadap tern för att slå på enheten. Mer information på <https://wiki.teltonika-networks.com/>



This sign means that all used electronic and electric equipment should not be mixed with general household waste.



This sign means that product meets the requirements of the applicable EU directives.