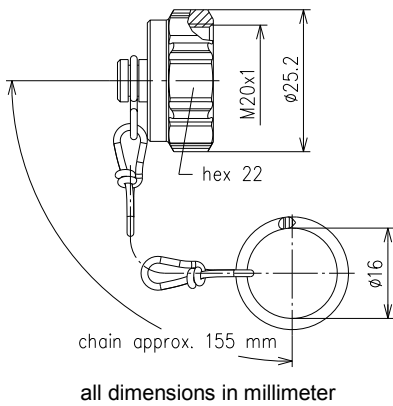


Protective Cap for 4.3-10 socket || BN 238920



Suitable Interface type	4.3-10 socket (50 Ω) per IEC 61169-54
Cap material / surface finish	copper alloy / bright nickel plated
Other metal parts / surface finish	stainless steel / no finish
Sealing	silicone rubber
IP protection level	IP68 per EN 60529 (barrier and mating face sealed)
Weight, approx.	20 g