

2JW1124-C952B

CELLULAR / LTE Connector Mount

Key Features

CELLULAR / LTE

- 698-960 MHz
- 1710-2170 MHz
- 2500-2700 MHz

Connector Mount

Ultra Wide band Antenna

High Performance

Ground Plane Independent

Hinged Connector

Dimensions 135 × 19 × 10 mm



1. Antenna and electrical specifications

Parameters	CELLULAR / LTE Antenna		
Standards	2G,3G and 4G		
Technologies	GSM, CDMA, DCS, PCS, GPRS, WCDMA, UMTS, HSPA, EVDO and LTE		
Band (MHz)	700/850/900	1710/1800/1900/2100	2600
Frequency (MHz)	698-960	1710-2170	2500-2700
Return Loss (dB)	~-16.0	~-9.8	~-8.3
VSWR	~1.6:1	~2.1:1	~2.3:1
Efficiency (%)	~41.6	~57.6	~55
Peak Gain (dBi)	~-1.6	~-1.5	~-2.9
Average Gain (dB)	~-3.8	~-2.4	~-2.6
Impedance (Ohm)	50		
Polarisation	Linear		
Radiation Pattern	Omni-Directional		
Max. Input Power (W)	25		
Connector Type	SMA-Male		

Antenna Measurement Conditions:

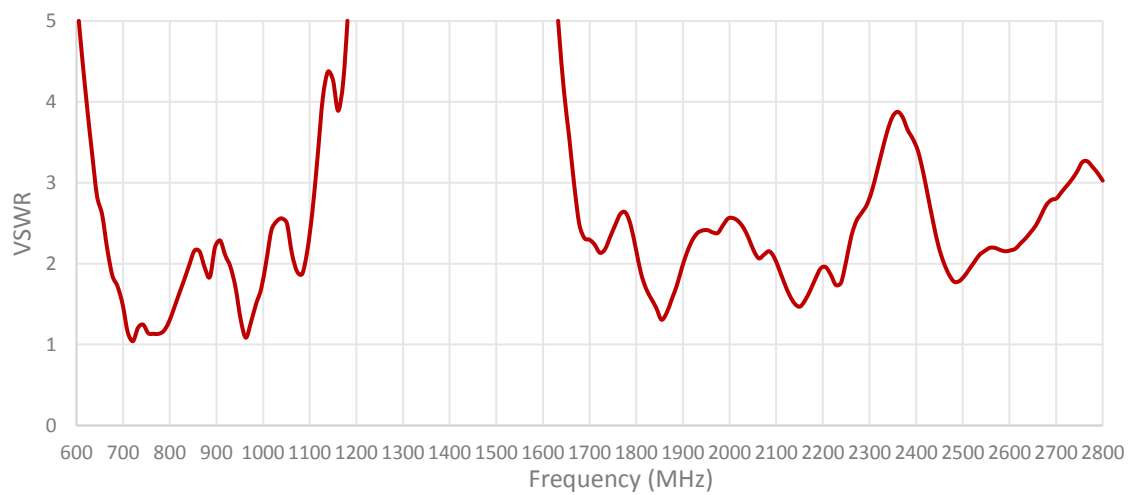
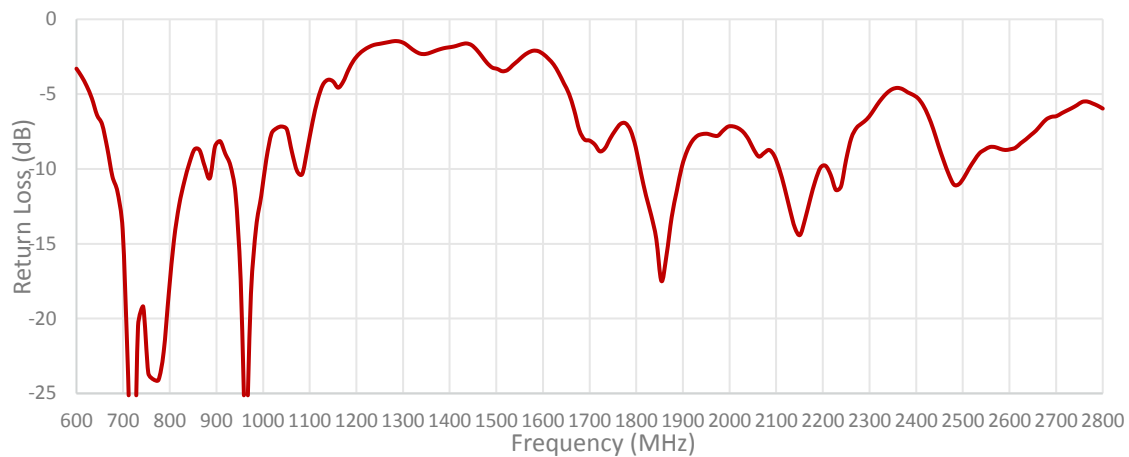
Free Space

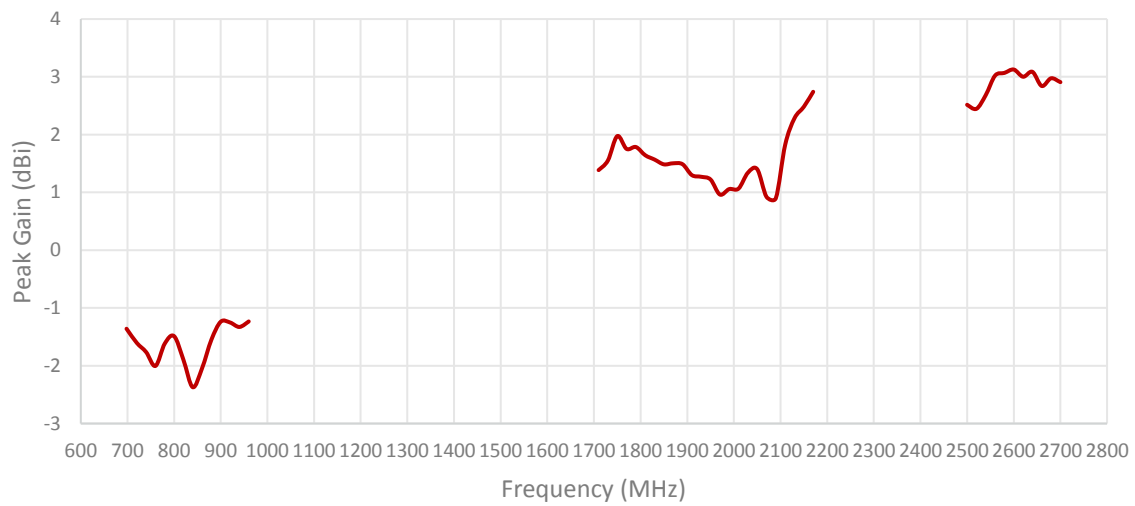
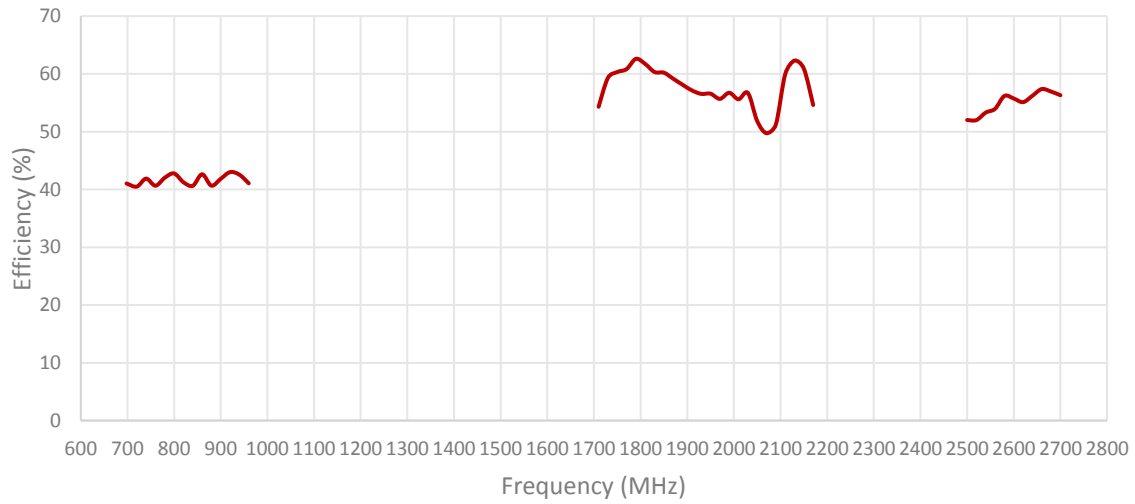
Measured in Certified CTIA 3D Anechoic Chamber

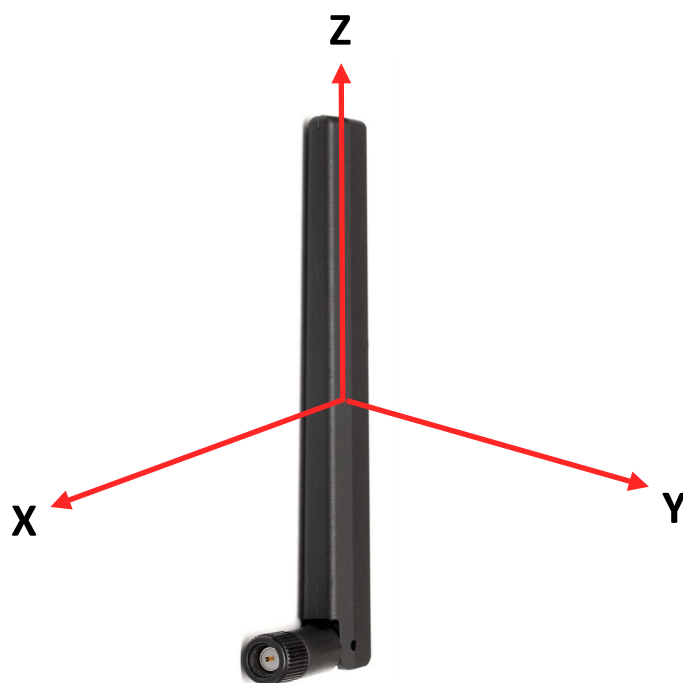
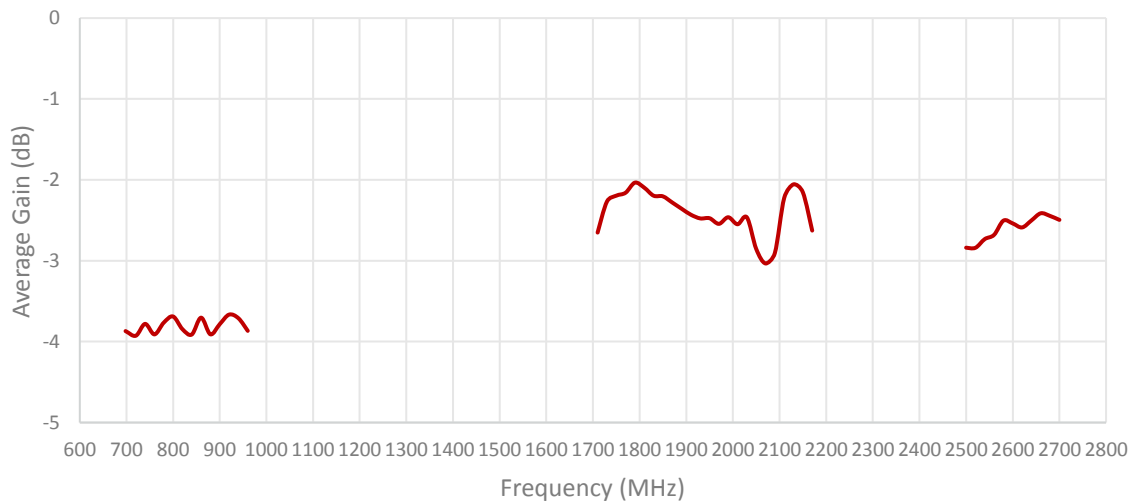
2. Mechanical and environmental specifications

Specifications	2JW1124-C952B
Mounting Type	Connector Mount
Dimensions (mm)	135 × 19 × 10
Radome	PC/ABS UV Stable
Radome color	Black
Connector Feature	Hinged
Operating Temperature (C)	-40 to +85
Storage Temperature (C)	-40 to +85
Substance Compliance	RoHS

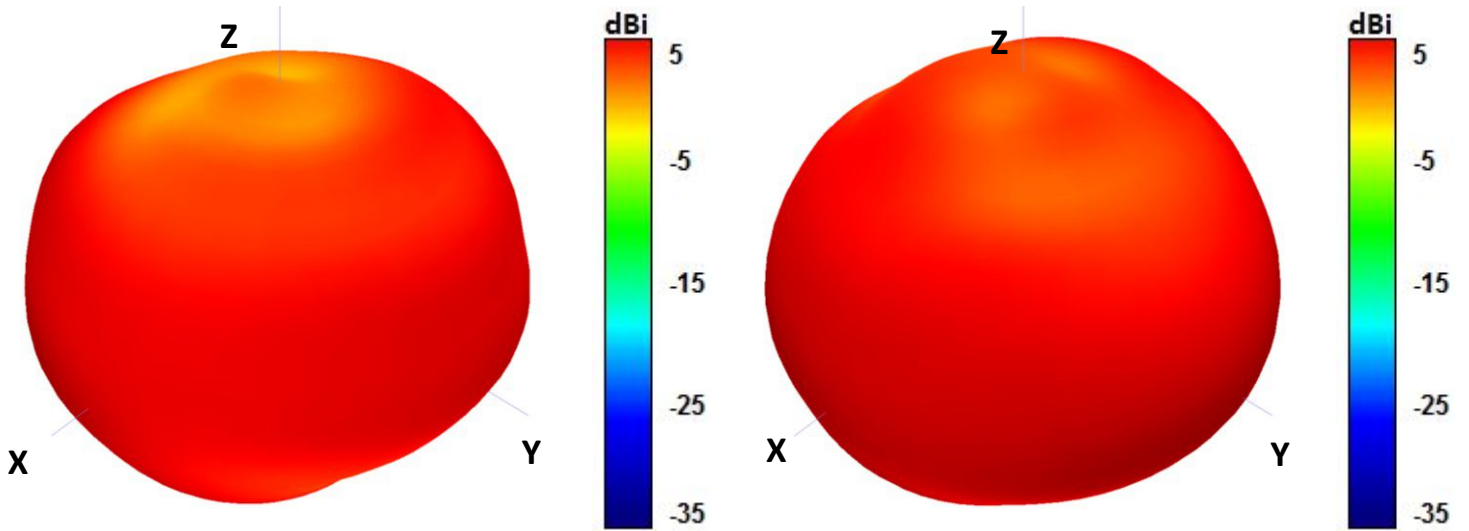
3. Antenna parameters



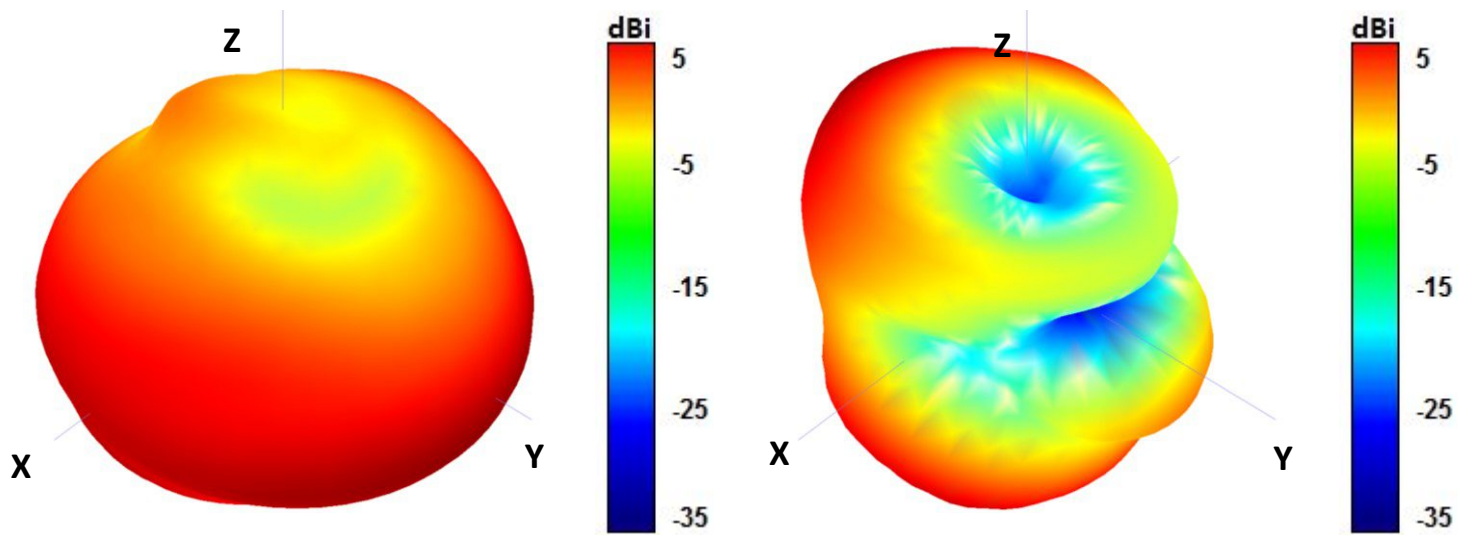




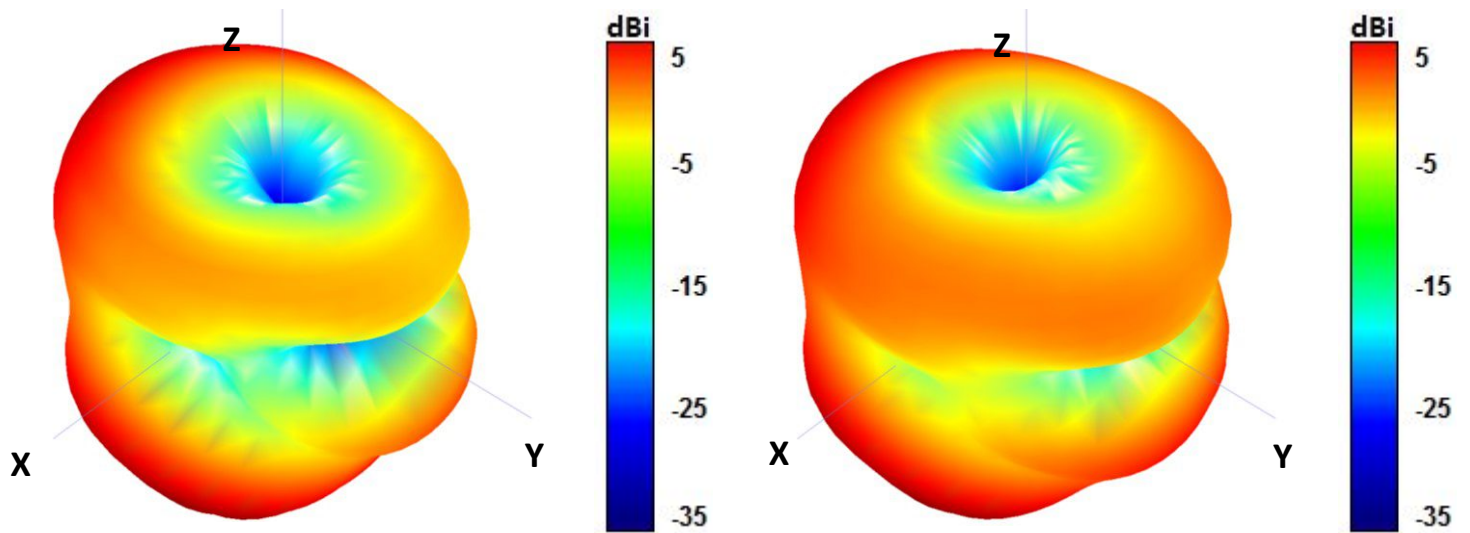
Radiation pattern reference



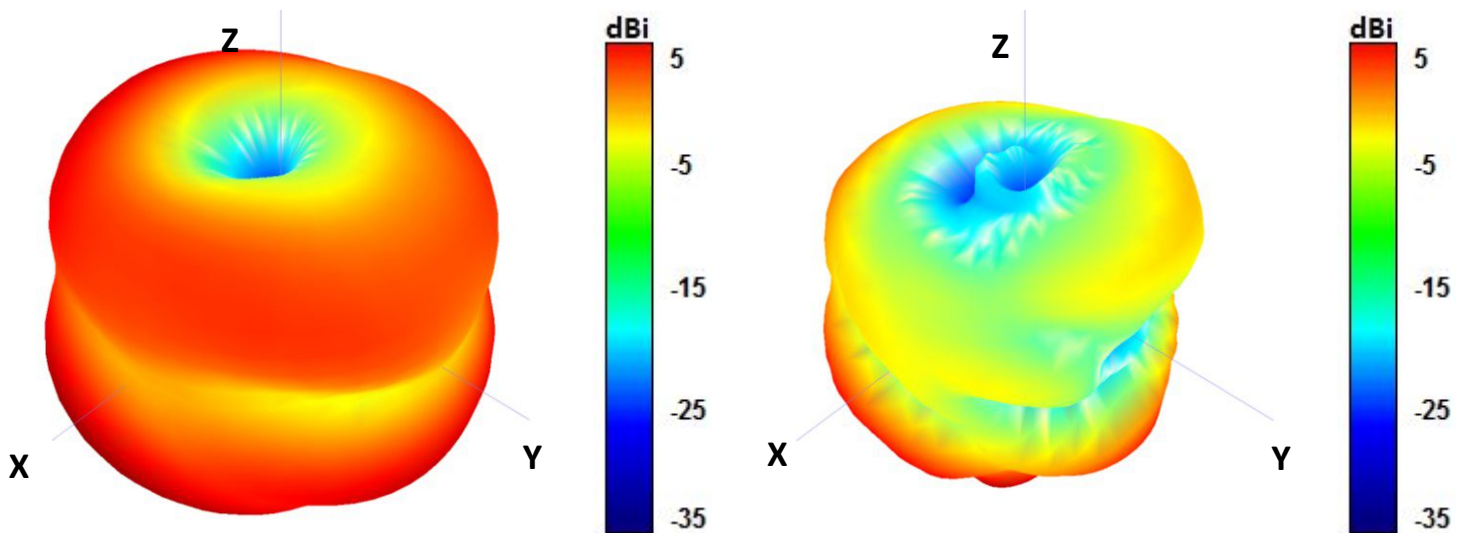
750 and 850 MHz Radiation pattern



940 and 1750 MHz Radiation pattern



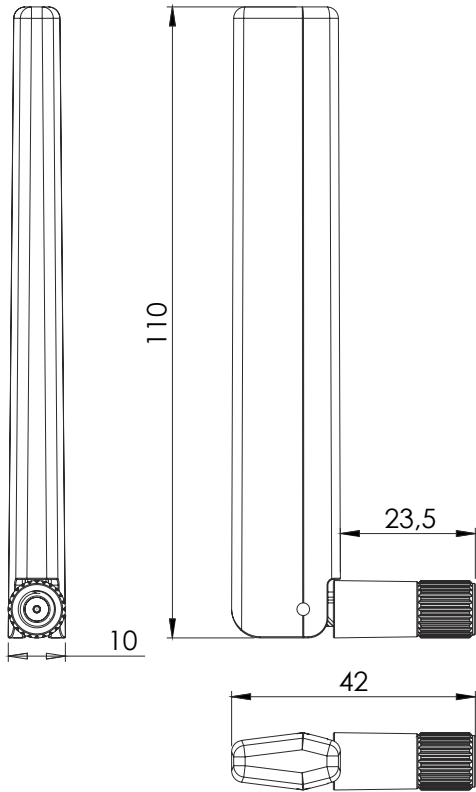
1850 and 1950 MHz Radiation pattern



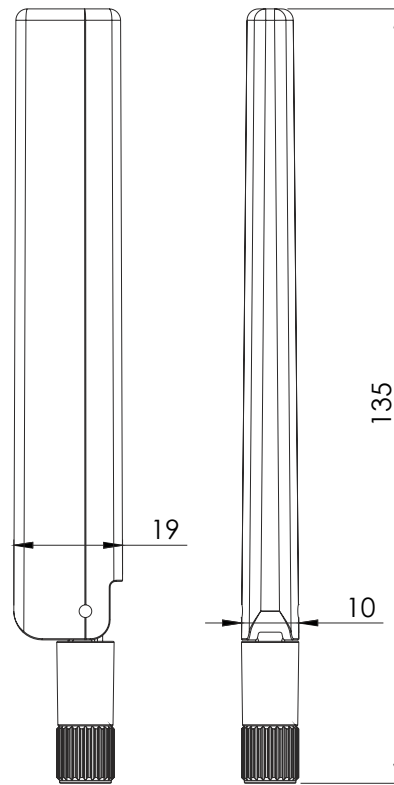
2100 and 2600 MHz Radiation pattern

4. Antenna drawings

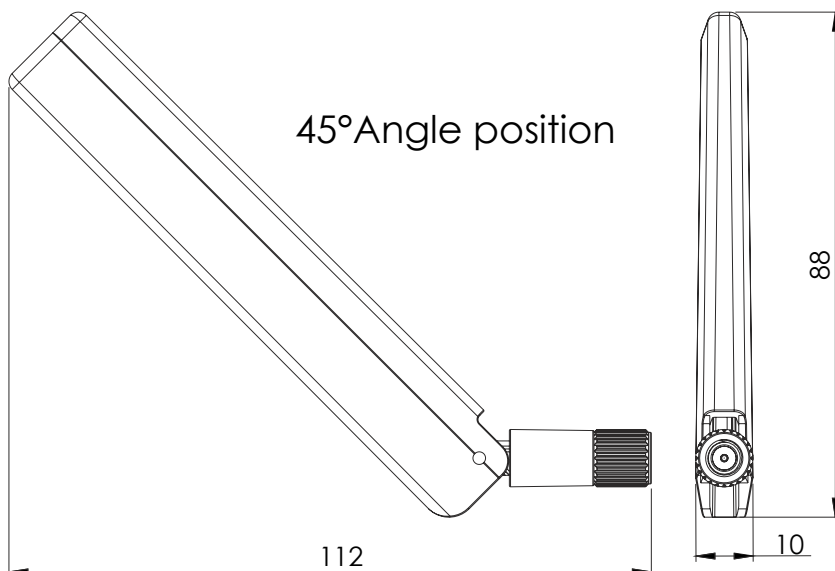
Right Angle position



Straight position



45° Angle position



5. Antenna Images

