



CPLR-EP3G-015-FP & CPLR-EP3G-05-SP

- Straps to USB dongle

- Straps to USB dongle

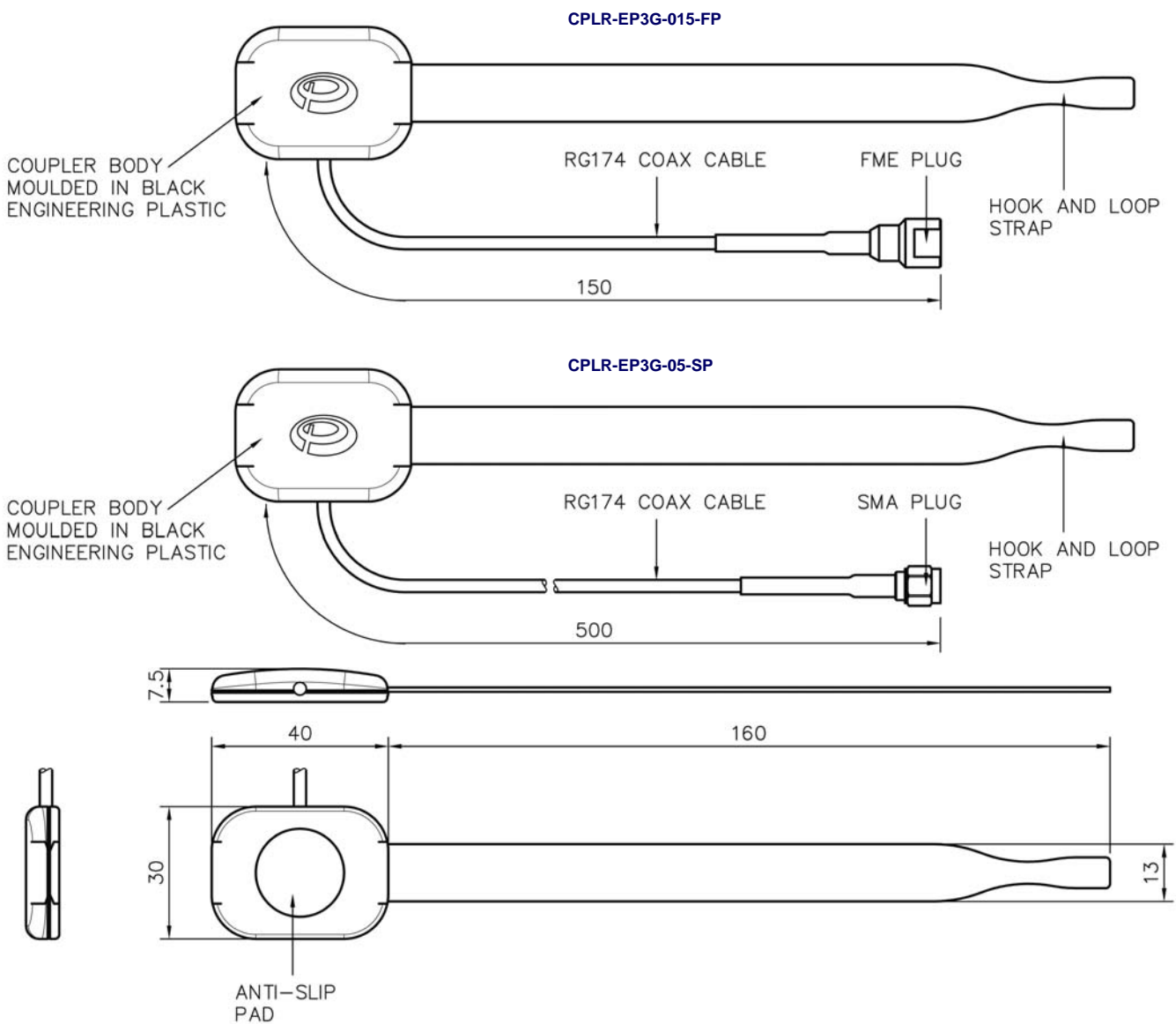


Kit consists of:

1800MHz, 1900MHz, 3G UMTS Modem Strap

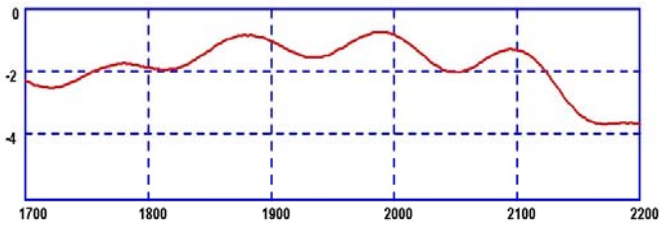
Part No	Connector
CPLR-EP3G-015-FP	FME Plug
CPLR-EP3G-05-SP	SMA Plug

Technical Drawing



Performance

Typical Coupler Loss v Freq (MHz)



Part No.		CPLR-EP3G-015-FP	CPLR-EP3G-05-SP
Electrical Data			
Frequency Range (MHz)		1710-2170	1710-2170
Operational Bands		GSM1800, GSM1900, 3G UMTS	GSM1800, GSM1900, 3G UMTS
Coupling Loss (Typical)		-2 dBi	-2 dBi
Mechanical Data			
Dimensions (mm)	Length	30	30
	Width	40	40
	Thickness	7.5	7.5
Operating Temp (°C)		-40° / +80°C	-40° / +80°C
Material		Engineering plastic	Engineering plastic
Colour		Black	Black
Mounting Data			
Type		Hook & Loop Strap	Hook & Loop Strap
Colour		Black	Black
Length (mm)		160	160
Cable Data			
Type		RG174	RG174
Thickness (mm)		2.5	2.5
Length (mm)		150	500
Termination		FME Plug	SMA Plug