

Cables & Connectors

Low Loss Double Shielded Cable

09/02/2017 v4



SR1-029-B

(CS29)

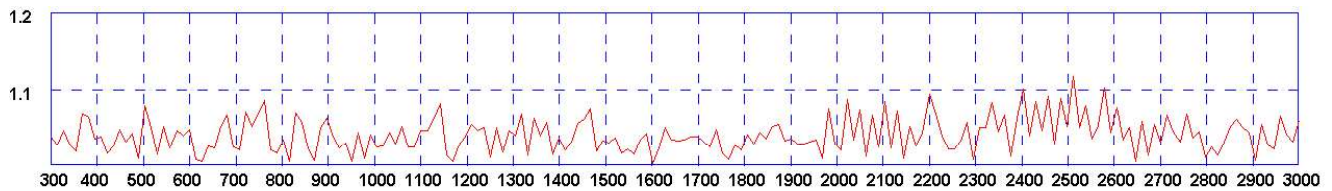
Ultra low loss double shielded cable

Panorama Antenna's CS29 cable is a high quality double shielded 5mm (0.2") \varnothing cable. CS29 offers both copper braid and aluminium foil shielding which significantly reduces signal attenuation especially at higher frequencies. The stranded copper centre conductor and cellular polyethylene dielectric ensure that this cable offers excellent flexibility.

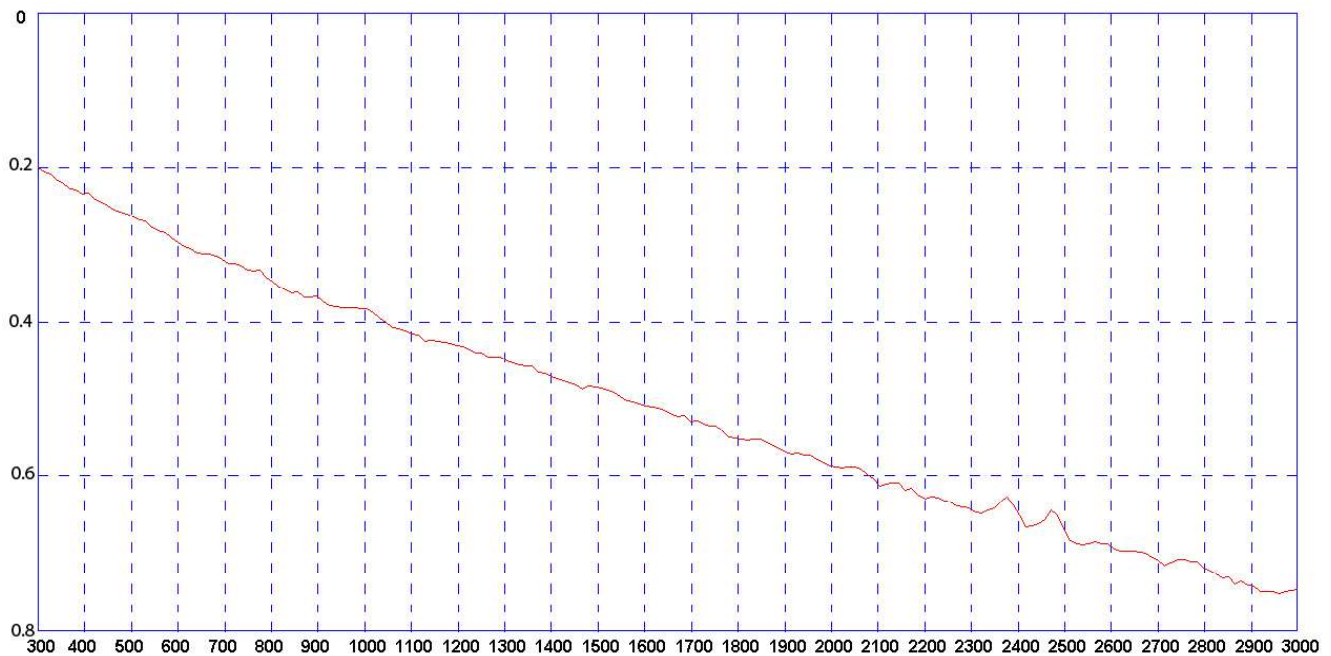
CS29 is an ideal choice for cellular, WLAN and other applications up to 3GHz.

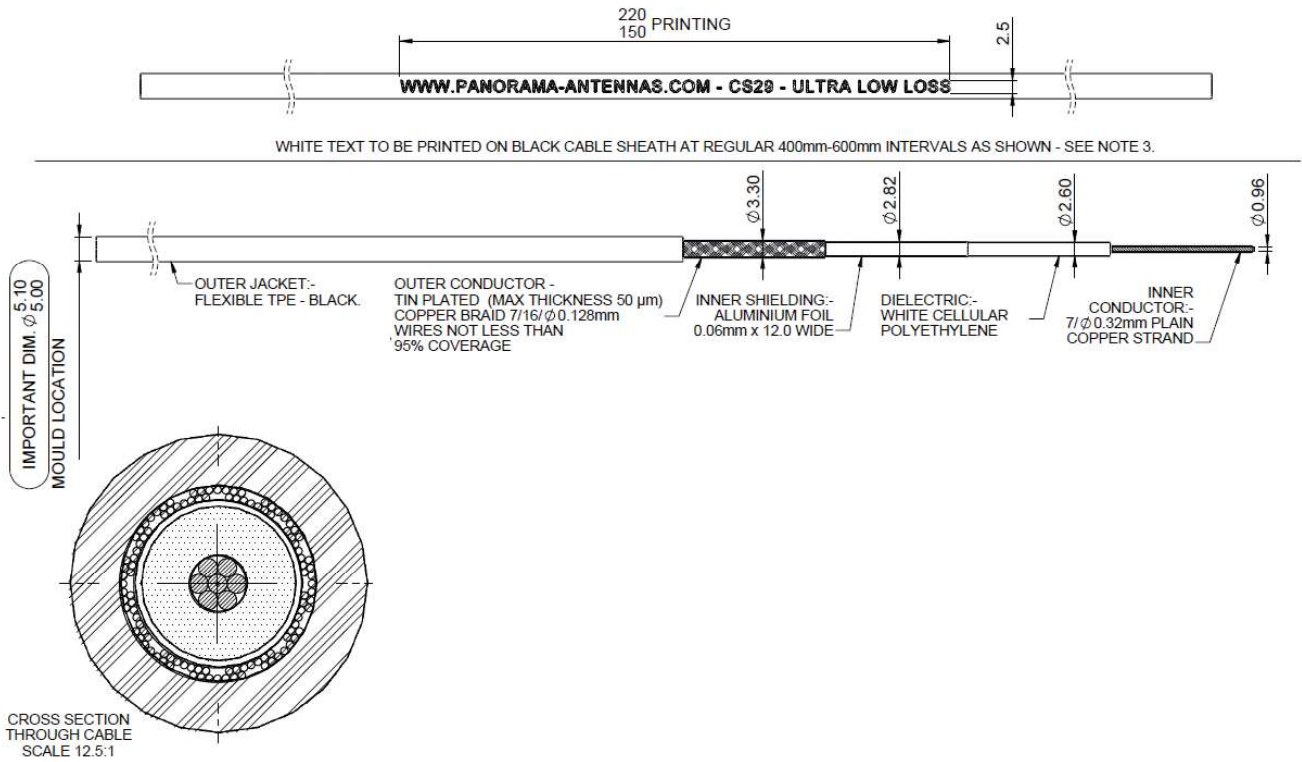
Electrical Data

Typical VSWR



Typical attenuation (dB) over 1m (3') of cable





Part No.

SRI-029-B

Impedance

50 Ω \pm 2 Ω at 1GHz
50 Ω \pm 4 Ω at 2GHz

Typical Attenuation

2.2dB per 10m at 400MHz
4dB per 10m at 1GHz
5.5dB per 10m at 2GHz

Braid Resistance

Less than 160m Ω per 10m

Shielding Effectiveness

<-95dB according to IEC 61196-1 at 400MHz

| | | |
|--------------------------------|---|-----------------------------|
| Outer Jacket | Material | TPE |
| | Colour | Black |
| | Diameter (mm) | 5.0 (0.20") |
| Outer Conductor | Material | Tin Plated Copper Braid |
| | Wire Coverage | No less than 95% |
| | Diameter (mm) | 3.3 (0.12") |
| Inner Shielding | Material | Aluminium foil |
| | Diameter (mm) | 2.82 (0.11") |
| Dielectric | Material | White Cellular Polyethylene |
| | Diameter (mm) | 2.6 (0.10") |
| Inner Conductor | Material | Plain Copper Strand |
| | Diameter (mm) | 0.96 (0.04") |
| Operating Temp ($^{\circ}$ C) | -40 $^{\circ}$ /+80 $^{\circ}$ C (-40 $^{\circ}$ /176 $^{\circ}$ F) | |
| Voltage Withstand | 1000 VDC | |
| Jacket Spark | 3000 V RMS | |