

## Features

- ▶ USB 3.2 (Gen 1) - 5Gbps data transmission
- ▶ Nickel plated precision contacts, EMI resistance, low attenuation
- ▶ USB-C male to USB-C male, full-metal housing
- ▶ Hybrid cable – Fiber for data; copper for power, Ø 6.5mm
- ▶ AOC technology - no external power supply required

### Connections

Connector Material	Aluminium alloy
Contact Material	Nickel plating
Connector 1	USB-C Male
Dimensions Connector 1	49 x 13.3 x 9mm
Connector 2	USB-C Male
Dimensions Connector 2	49 x 13.3 x 9mm

### Cable

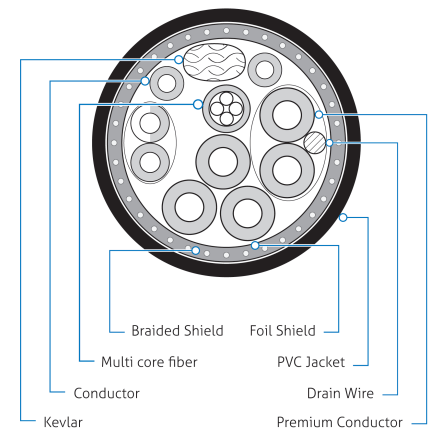
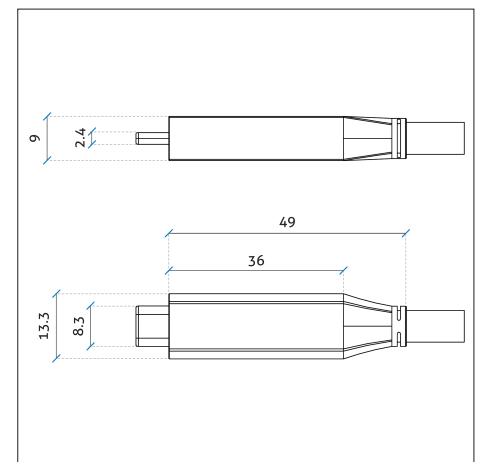
Type	AOC Fiber Optic / Copper Hybrid Cable
Construction	2x OM3 Fiber Optic, 2x Copper Conductors
Jacket Outer Material	PVC
Cable Outer Diameter	6.5mm
Minimum Bending Radius	130mm (dynamic), 65mm (static)
Tensile Strength	157N / ca. 16kg
Crush Resistance	1000N per 100mm

### Signal Transmission

Transmission Modes	Data over Fiber, Power over Copper, Video over Fiber
Standard	USB 5Gbps
Compatibility	Backwards compatibility with USB 2.0 / 1.1
Bandwidth	5Gbps / 480Mbps
Converter	2-channel 850nm VCSEL array / 2-channel GaAs PD array
Power Transmission	max. 20V / 3A / 60W

### General

Transmission Distance	Up to 15m
Operation / Storage Temperature	-10 ~ 50° / -20 ~ 60°
Power Connector	No external Power Supply required (draws power from source device)
Power Consumption	< 0.5 W (max.)
Compliance	CE, FCC, ROHS



## FX-I600 Overview

Parent	Art.-No.	Length	Colour	EAN
FX-I600	FX-I600-003	3.00m	black	4251364731925
	FX-I600-005	5.00m	black	4251364731932
	FX-I600-007	7.50m	black	4251364731949
	FX-I600-010	10.00m	black	4251364731956
	FX-I600-012	12.00m	black	4251364731963
	FX-I600-015	15.00m	black	4251364731970