



# ROGER™

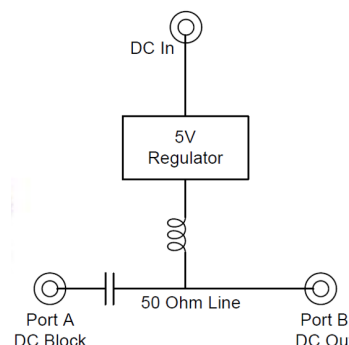
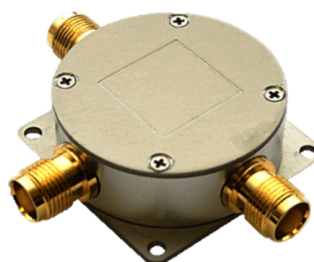
## GNSS repeater

# Roger GNSS BIAS-T

## GNSS-TW-155-BIAST-EU/UK/US

### Key Features

The TW155 is a professional grade wideband Bias-Tee for injecting DC voltages onto coaxial lines. The regulated output voltage and the large output current makes this product highly suitable for many active antennas and amplifiers.



### Benefits

- Compact form factor
- Allows the use of an external power supply
- Fits in line with antenna cable
- Robust design
- Suitable for harsh environments
- Industrial temperature range: -40 to 85°C



#### TW155 Mechanical:

Size:	46 mm L x 46 mm W x 17 mm H
Weight:	100g
Connectors:	3 x TNC Jack
Enclosure:	Clear anodized aluminum, IP67 compliant

#### TW155 Electrical:

Insertion Loss:	<1 dB typ
VSWR (50Ω):	<1.3 @ 3 GHz
Output Voltage:	5 VDC ± 2.5%
Max Output Current:	450mA
Operational Frequency:	1 to 3 GHz
Input Supply Voltage:	5.5 to 10 VDC
Input Supply Current:	5 mA

#### Power supply:

Input Voltage:	90-264 VAC, 47-63 Hz
Output Voltage/Current:	7.5V, Max current 1.6A, Max power 12W
Weight:	130g
Size:	86 × 50 × 29mm
EMC Standards:	EN 60601-1-2, EN 61000-6-3, EN 61000-6-1

Copyright Roger-GPS Ltd. ©

Read more about our solutions from [www.gps-repeating.com](http://www.gps-repeating.com)