



Product Data Sheet

GPS Combination Antenna

TETRA UHF

GPS Combination Antenna



GPSK

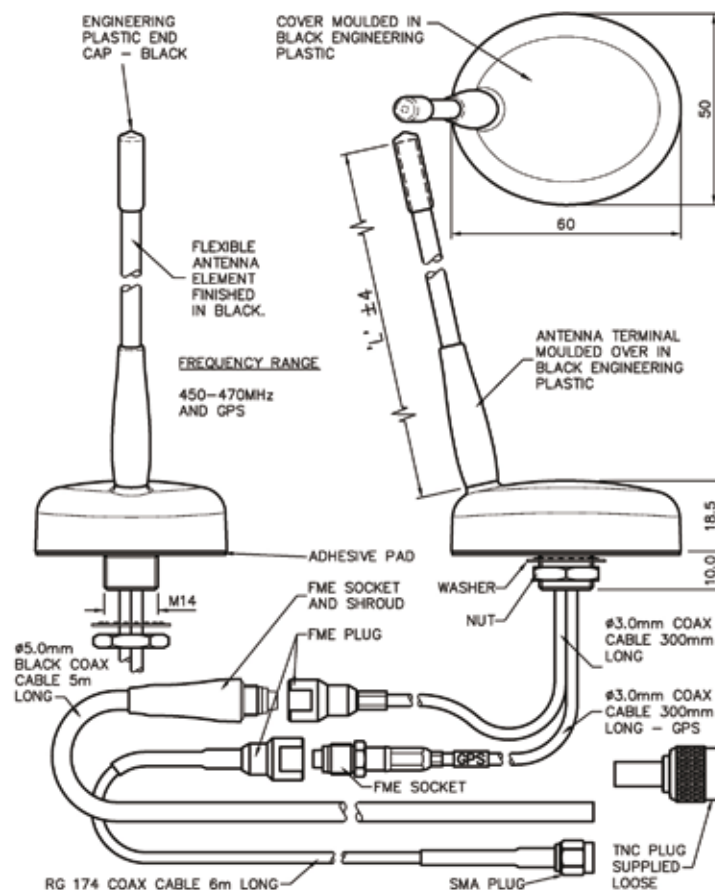
- Excellent performance
- Active GPS element
- Single hole fixing

The GPSK antenna range is a dual function, high performance TETRA antenna with an active GPS element.

The GPSK range covers frequencies from 300MHz to 470MHz, depending on the equipment requirements. With the ability to mount on a roof up to 6mm thick using only a single 14mm hole.

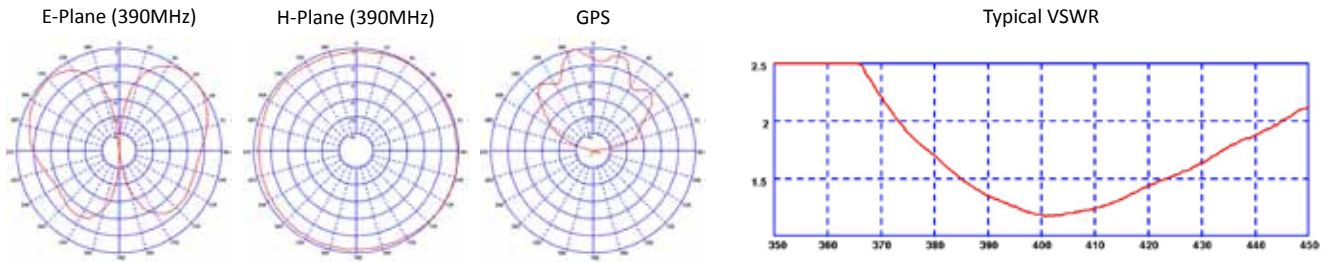
The twin functionality of the Panorama GPSK range makes the antennas a popular choice for police, buses, taxi's and other public service and utility vehicles.

Technical Drawing



TETRA UHF

GPS Combination Antenna



Part No.		GPSK-TET-EAD
Electrical Data		
Frequency Range (MHz)		380-430
Operational Band		TET
Gain: Isotropic		2dBi
Compared to ¼ wave		0dB
Polarisation		Vertical
Pattern		Omni-directional
Impedance		50Ω
Max Input Power (W)		25
GPS Data		
Frequency Range (MHz)		1575
VSWR		<2.0:1 ± 4MHz
Gain: LNA		26dB
Polarisation		Right Hand Circular
Operating Voltage		3 - 7V DC (fed via coax)
Current		Typical 14mA
Mechanical Data		
Dimensions (mm)	Whip Length	163
	Base Height	18.5
	Base Length	60
	Base Width	50
Operating Temp (°C)		-40° / +80°C
Material		Engineering plastic
Colour		Black
Mounting Data		
Fixing		Panel mount
Hole Size (mm)		15
Cable Data		
GPS Cable	Type	RG174
	Thickness (mm)	3.0
	Length (m)	6
	Termination	SMA plug
Comms Cable	Type	CS23
	Thickness (mm)	5.0
	Length (m)	5.0
	Termination	TNC Plug

Panorama Antennas Ltd
Frogmore, London, SW18 1HF, United Kingdom

T: +44 (0)20 8877 4444
F: +44 (0)20 8877 4477

E: sales@panorama-antennas.com
www.panorama-antennas.com

PANORAMA  ANTENNAS