



EKSELANS BY ITS

# ETHERNET OVER COAXIAL

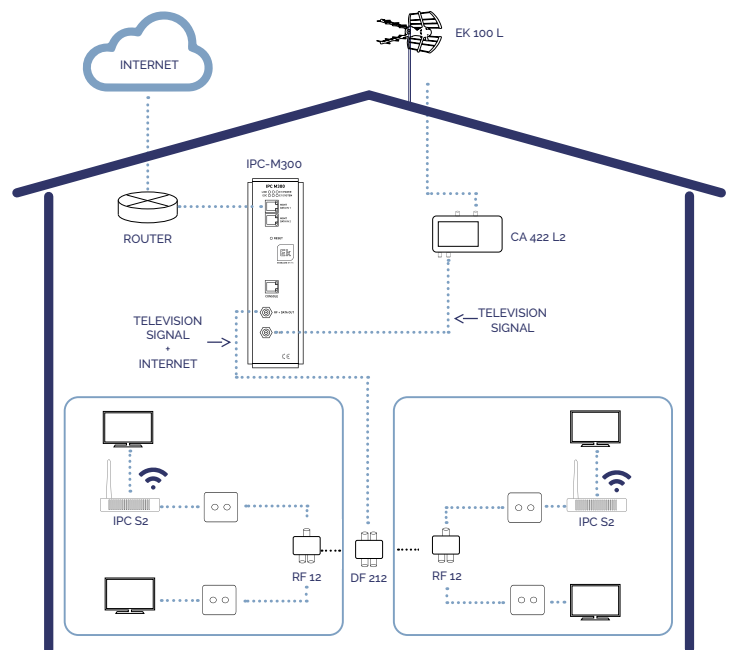
## IPC M300



- ✓ Master equipment
- ✓ Transmission IP signal over coaxial cable
- ✓ Work band 7,5-65 MHz
- ✓ Speed 600 mbps on physical layer
- ✓ Up to 253 users (Ekoax slaves)
- ✓ Possibility of remote management
- ✓ Optimized configuration menu for simple system provisioning.
- ✓ Complete provisioning of IPC 24 and IPC AC equipment.
- ✓ Configuration of templates of all parameters, including WiFi, of IPC 24 user equipment and IPC AC.



IPC M300





## TECHNICAL TABLE

REFERENCE	IPC M300
Code	250019
Operating characteristics	
RF Parameters	
Frequency	7,5 – 65 MHz
Output level	120 dBuV
Minimum Recommended Input Level	43 dBuV
Return loss	> 16 dB
Transmission speed	
Speed on physical layer	600 Mbps
Speed on MAC layer	300 Mbps
Modulation	OFDM-2690 carriers 4096/1024/256/64/16/8-QAM, QPSK, BPSK, ROBO
Work band	TDMA / CSMA
Encryption	AES-128
Standards	
EOC Standard	IEEE P1901 HomePlug AV
Ethernet protocols	IEEE802.3ab, IEEE802.3, IEEE802.3x, IEEE802.3u, IEEE802.1P, IEEE802.1Q
Software	
Method of use	WEB, CLI y SNMP
Software characteristics	VLAN, QoS, bandwidth control, limitation "broadcast storm",...
Conexions	
RF Conexion	1 RF IN-MIX (F connector) 1 RF OUT (F connector)
Ethernet interface	2 x port 10/100M/1000M Self-adaptive Ethernet (RJ45)
Power	100-240 Vac / 50-60 Hz
Consumption	< 10 W