

UHF Low Profile Antenna

LP Series

PANORAMA ANTENNAS



LP Series

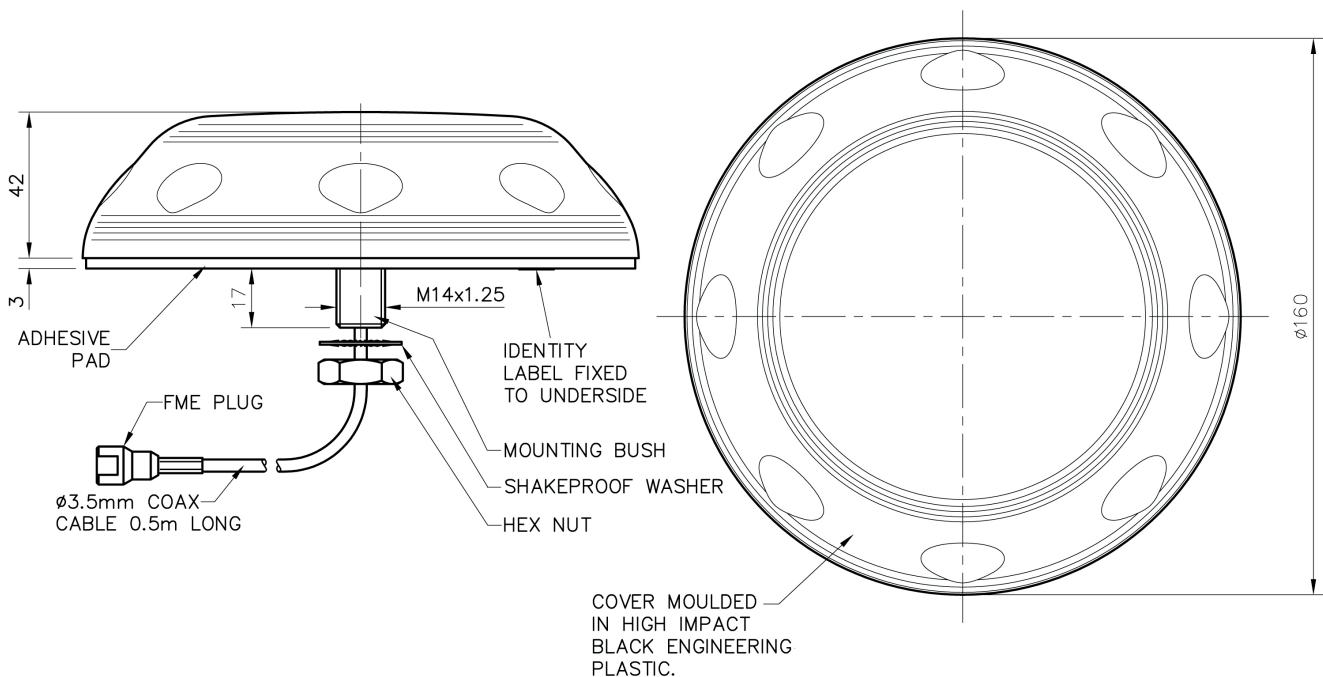
- Rugged design for reliable service
- Low profile housing
- Available in pre-tuned UHF bands
- No ground plane required *

The Panorama low profile UHF antenna range has been designed for use in hostile environments. The antenna housing is designed to withstand high impacts while retaining integrity and is IP65 rated.

The antenna does not require a metallic ground plane *

* NOTE: the default tuning is for installation on a non-metallic surface. Performance may vary if the product is mounted on a conductive ground plane. On request, Panorama can supply the product tuned for operation on a specified size groundplane.

Technical Drawing



UHF Low Profile Antenna

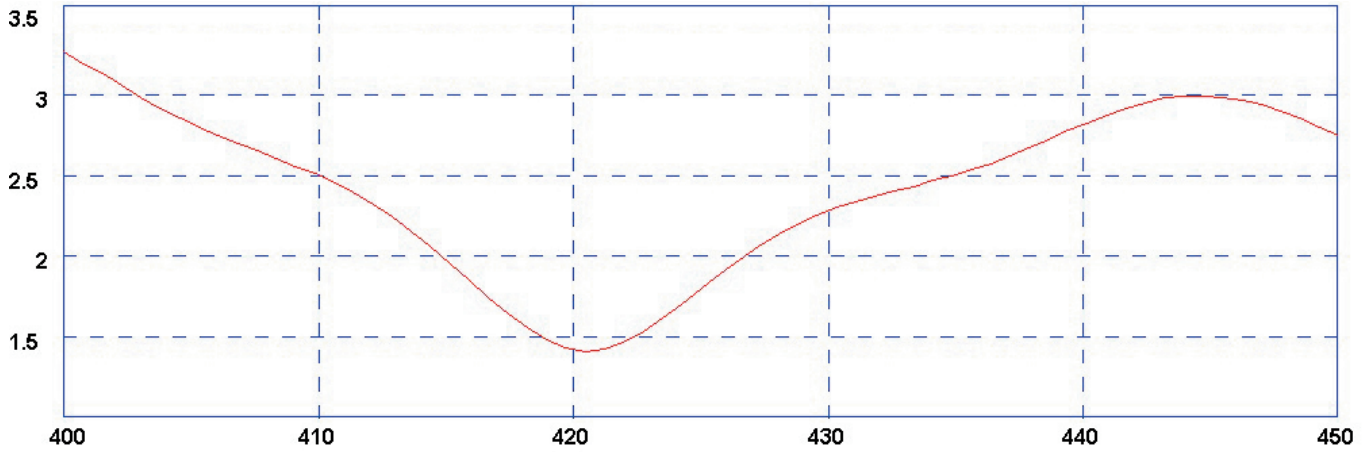
LP Series

Product Data

Part No.	LP420	LP420	LP440	LP480
Electrical Data				
Frequency Range (MHz)	380-400	410-430	430-450	470-490
Peak Gain: Isotropic				2dBi
Compared to ¼ wave				0dB
Polarisation				Vertical
Pattern				Omni Directional
Impedance				50Ω
Max Input Power (W)				20
Mechanical Data				
Dimensions (mm)	Height	42 (1.65")		
	Diameter	160 (6.3")		
Operating Temp (°C)	-40° / +80°C (-40° / 176°F)			
Material	A.S.A			
Colour	Black			
Ingress Protection	IP65 (certificate no. 6267/2)			
Mounting Data				
Fixing	Panel mount			
Mounting hole size (mm)	14 (0.5")			
Cable Data				
Type	C35			
Thickness (mm)	3.5 (0.1")			
Length (m)	0.5 (16')			
Termination	FME plug			

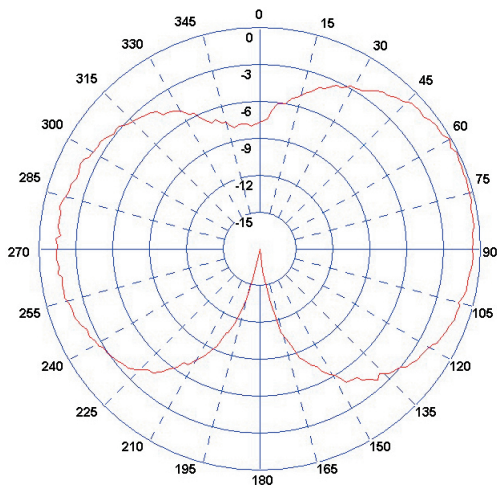
Electrical Data

Typical VSWR (420MHz)*



* Measurement taken in free space with 5m (17') of CS23 cable

Typical E-Plane (420MHz)



Typical H-Plane (420MHz)

