

Low Profile Mag Mount Antenna

LPBEM-6-60



- Rugged low profile design
- Covers global cellular / LTE bands 617-960 / 1710-6000 MHz
- Magnetic mount

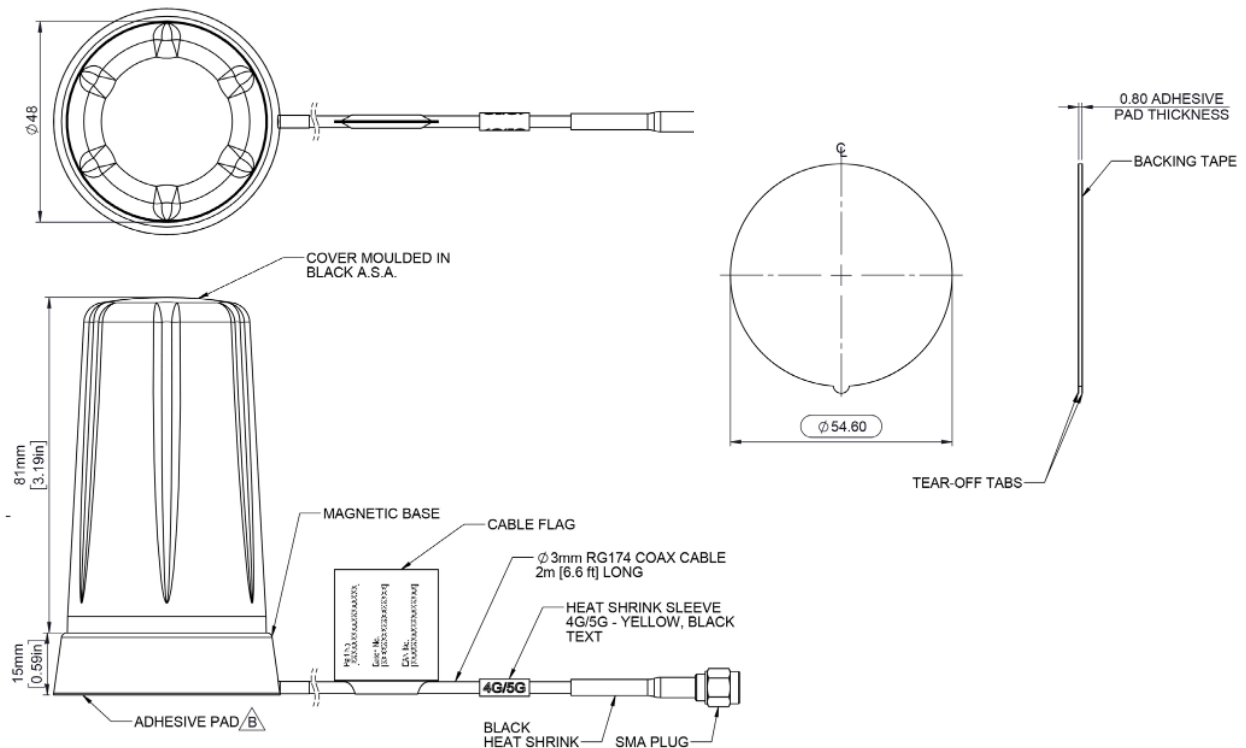
The Panorama LPBEM-6-60 is a range of low cost high performance magnetic mount antennas for temporary fit applications. At only 95mm (3.7") high and protected by a robust high impact radome the antenna is almost impervious to daily wear and tear.

The LPBEM offers excellent performance across a wide bandwidth. The LPBEM covers global cellular and LTE frequencies from 617-960 MHz and 1710-6000 MHz making it an extremely versatile product. Although intended for magnetic mounting on a conductive ground plane the antenna can also be used for desk mounting applications with some impact on performance.

Supplied with a convenient length of flexible RG174 cable and a double sided adhesive pad, the LPBEM is easy to install and compatible with a large range of modems. Multiple units can be deployed suitably separated for MiMo applications.

Technical Drawing

LPBEM-6-60-2SP shown



Low Profile Mag Mount Antenna

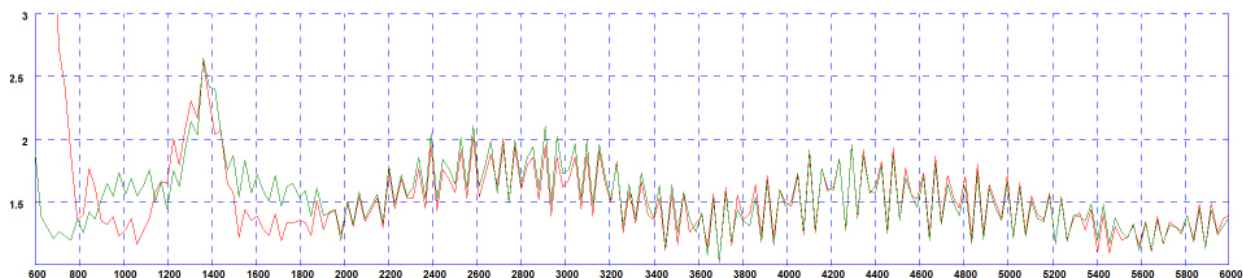
LPBEM-6-60

Product Data

Part No.		LPBEM-6-60-2SP	LPBEM-6-60-5SP
Electrical Data			
Frequency Range (MHz)		617-960 / 1710-6000	617-960 / 1710-6000
Peak Gain (excluding cable loss measured on a ground plane)	617-960 MHz		3dBi
	1710-2170 MHz		4dBi
	2170-2700 MHz		5dBi
	3400-3800 MHz		6dBi
	4000-6000 MHz		8dBi
Typical VSWR*		<2.5:1	
Polarisation		Vertical	
Pattern		Omni-directional	
Impedance		50Ω	
Max Input Power (W)		25	
Mechanical Data			
Dimensions (mm)	Height	96 (3.7")	
	Diameter	48 (1.89")	
Operating Temp (°C)		-40°/+80°C (-40°/176°F)	
Material		UV stable ASA & Aluminium	
Colour		Black	
Ingress Protection		Equivalent to IPX6	
Mounting Data			
Fixing		Magnetic mount	
Max Speed (KM/h)		160 (100 Mph)	
Cable Data			
Cable Type		RG174	
Cable Diameter (mm)		2.8 (0.1")	
Cable Length (m)		2 (6'6")	5 (16')
Connector		SMA (M)	

Electrical Data - Cell

Typical VSWR*



*VSWR measured on 400x400 ground plane with 2m (6'6") cable.

- Green Line - Ground Plane
- Red Line - Free Space