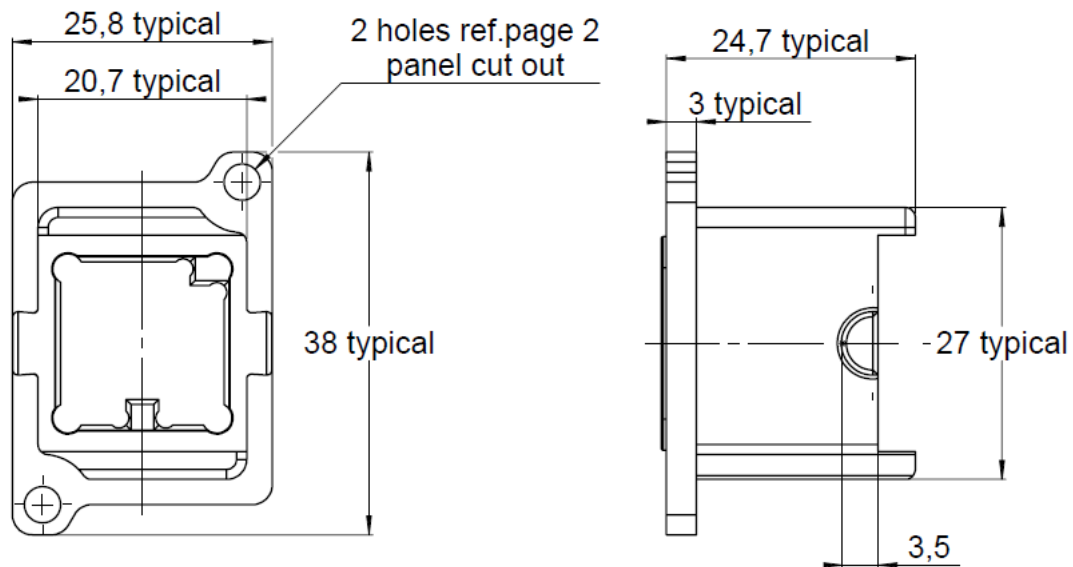
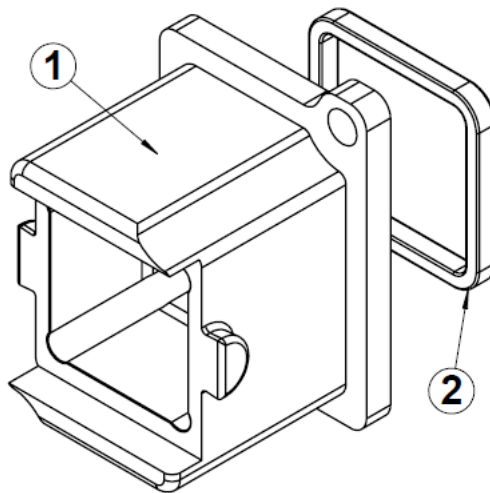
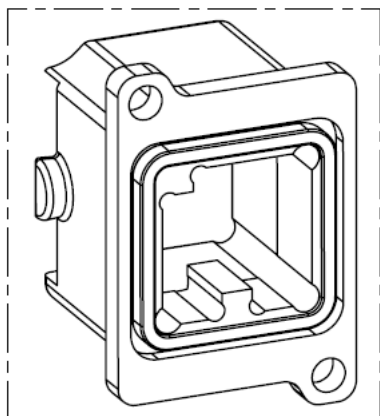


PAGE 1/4	ISSUE 18-02-19A	SERIES OCTIS	PART NUMBER OCTI207505
----------	-----------------	--------------	------------------------



Packing configuration



All dimensions are in mm. Tolerances according ISO 2768 m-H.

DESCRIPTION

REP	COMPONENT	MATERIALS	PLATING
1	Screwable Receptacle Body	ALUMINIUM	CHEMICAL PASSIVATION
2	Panel Sealing Gasket	SILICONE	-

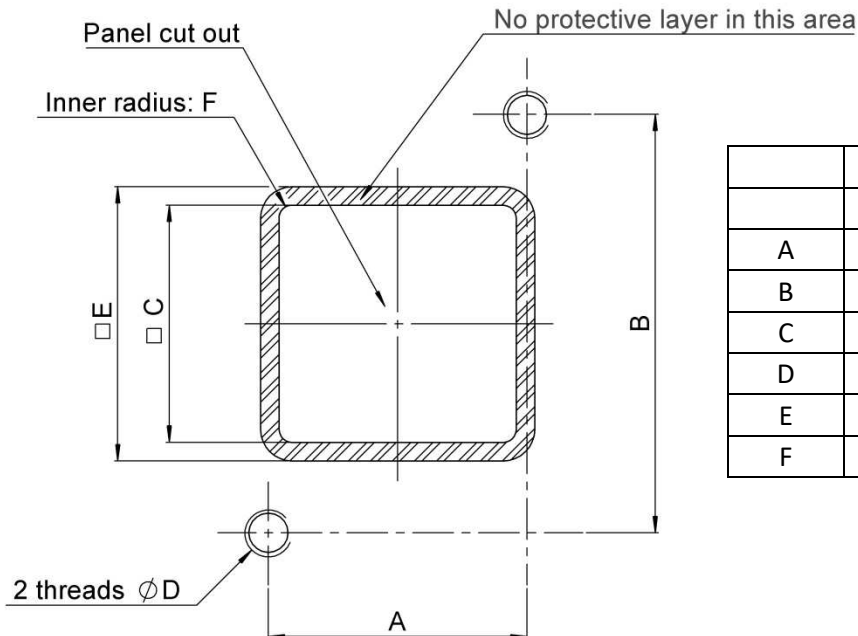
PAGE 2/4	ISSUE 18-02-19A	SERIES OCTIS	PART NUMBER OCTI207505
----------	-----------------	--------------	------------------------

GENERAL CHARACTERISTICS

Mechanical Mating endurance (cycles) Vibration Weight (g)	IEC 61300-2-2 IEC 61300-2-1 -	100 - 6,9130
Environmental Protection class Operating temperature (°C) Storage temperature (°C) Salt Mist RoHS Flammability UVB Resist (h)	IEC 60529 IEC 61300-2-22 IEC 61300-2-22 IEC 61300-2-26 (ISO21207 method B) - UL 94 ASTM G154 cycle 2	IP67 * -40 / +85 -65 / +85 720h * Compliant V0 1000
Others: Equipment interface Packaging	- -	For use with OCTIS™ plug or receptacle cap 20 pcs by tray

* Mated condition

PANEL CUT OUT

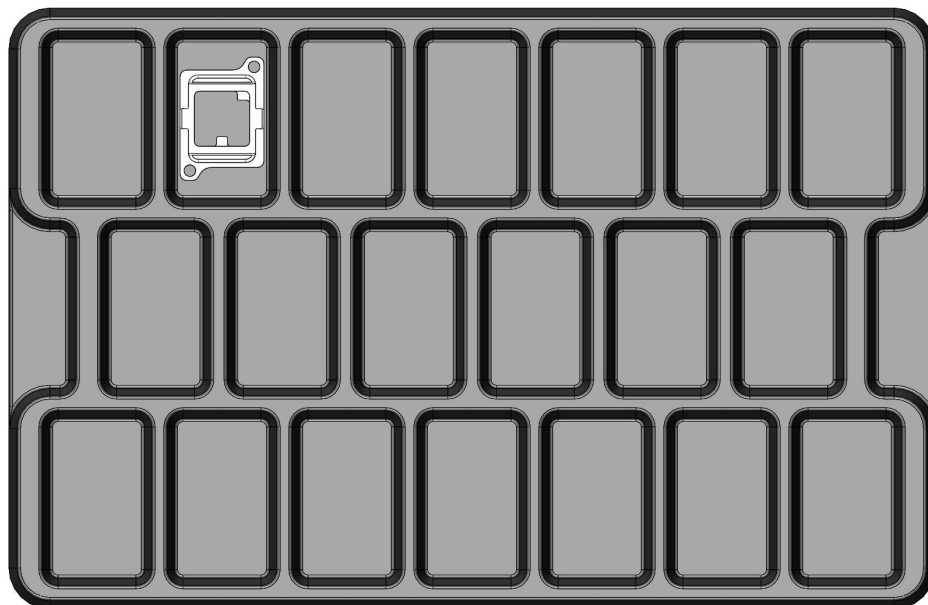
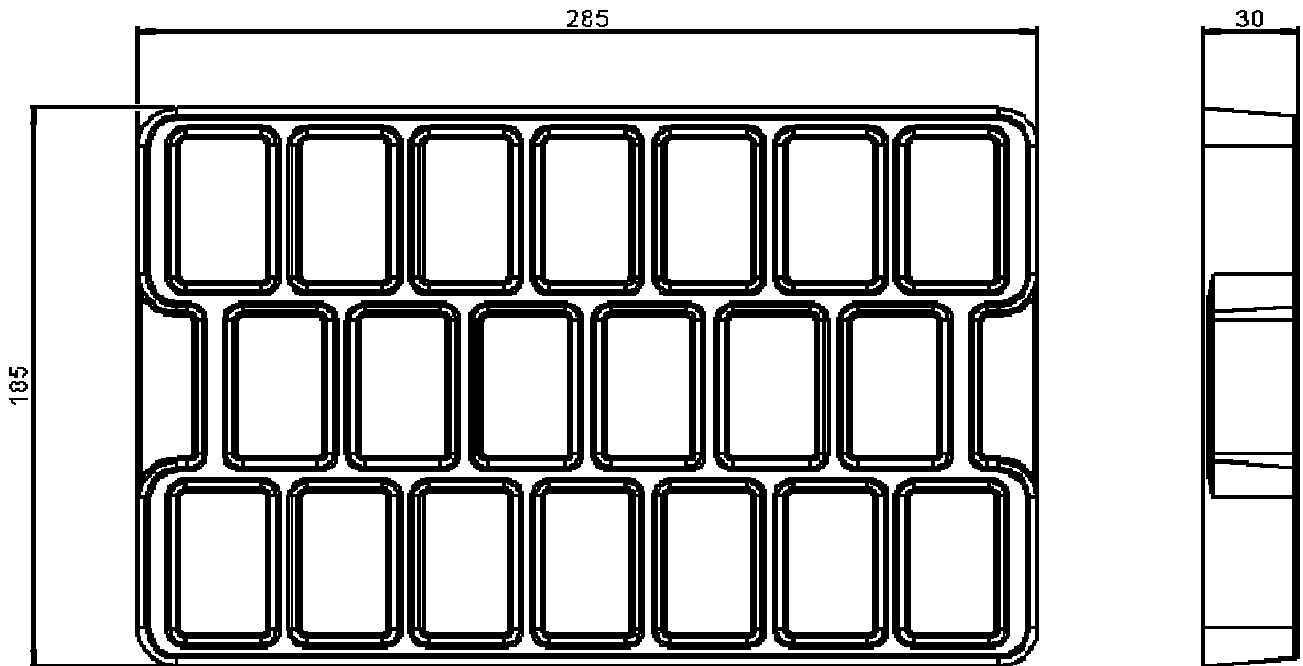


	mm	
	Min.	Max.
A	19.7	19.9
B	31.9	32.1
C	16.5	16.8
D	M3	-
E	19.5	20
F	-	0.5

PAGE 3/4	ISSUE 18-02-19A	SERIES OCTIS	PART NUMBER OCTI207505
----------	-----------------	--------------	------------------------

PACKAGING:

Packaging in Hot Formed Tray



PAGE 4/4	ISSUE 18-02-19A	SERIES OCTIS	PART NUMBER OCTI207505
----------	-----------------	--------------	------------------------

POSITIONNING AND PATTERN DEFINITION

