

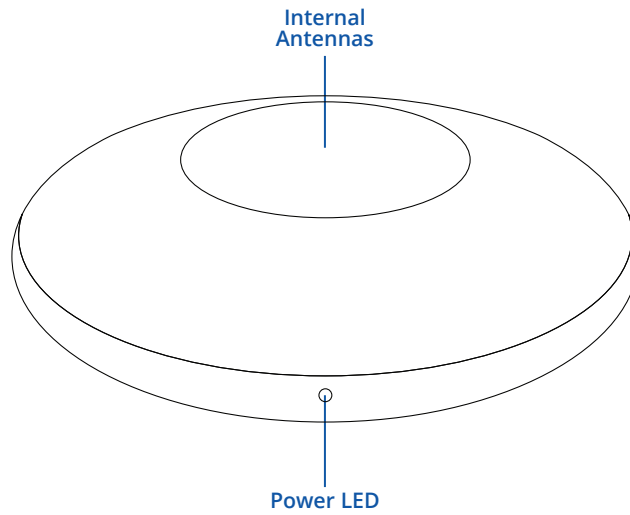


TAP200

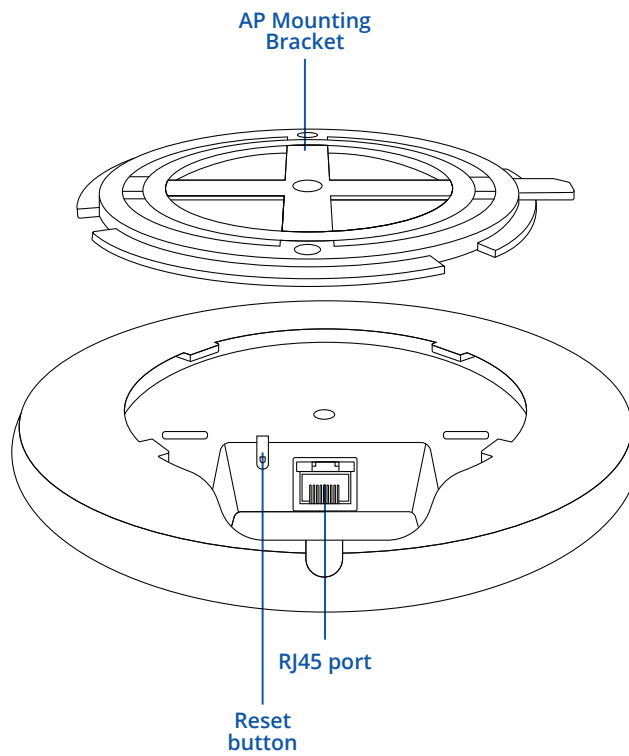


HARDWARE

TOP VIEW

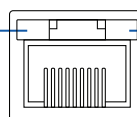


BOTTOM VIEW



RJ45 LED MEANING

Orange LED on: link established
10/100/1000 Mbps
Orange LED blinking: active connection



Green LED on: link established
1000Mbps

FEATURES

ETHERNET

| | |
|----------|--|
| ETHERNET | 1x RJ45 10/100/1000 Mbps, compliance with IEEE 802.3, IEEE 802.3u, 802.3az standards, supports auto MDI/MDIX crossover |
|----------|--|

WIRELESS

| | |
|--------------------------------|--|
| Wireless mode | 802.11b/g/n/ac Wave 2 (Wi-Fi 5) with data transmission rates up to 867 Mbps (Dual Band, MU-MIMO) |
| Wi-Fi security | WPA2-EAP/WPA3-EAP Mixed Mode, WPA3-EAP, WPA2-PSK/WPA3-SAE Mixed Mode, WPA3-SAE, OWE, WPA-PSK/WPA2-PSK Mixed Mode, WPA2-PSK, WPA2-EAP; AES-CCMP, TKIP, Auto Cipher modes, isolate clients |
| ESSID | ESSID stealth mode (Hide SSID) |
| Wi-Fi users | Up to 100 simultaneous connections |
| Wireless Connectivity Features | Fast roaming (802.11r) |
| Wireless MAC filter | Whitelist, blacklist |

NETWORK

| | |
|-------------------|---|
| Network protocols | TCP, UDP, IPv4, IPv6, ICMP, HTTP, HTTPS, SSL/TLS, ARP, SSH, DHCP client, SNMP |
|-------------------|---|

SECURITY

| | |
|----------------|--|
| Authentication | SSH key based, HTTPS, CLI, IP & Login attempts block |
| VLAN | Tag-based VLAN separation |

MONITORING & MANAGEMENT

| | |
|----------|--|
| WEB UI | HTTP/HTTPS, status, configuration, FW update, CLI, troubleshoot, event log, system log, kernel log |
| FOTA | Firmware update from server, automatic notification |
| SSH | SSH (v1, v2) |
| JSON-RPC | Management API over HTTP/HTTPS |
| RMS | Teltonika Remote Management System (RMS) |

SYSTEM CHARACTERISTICS

| | |
|---------------|---|
| CPU | MediaTek, Dual-Core, 880 MHz, MIPS 1004Kc |
| RAM | 256 MB, DDR3 |
| FLASH storage | 16MB, SPI NOR Flash |

FIRMWARE/CONFIGURATION

| | |
|---------------|---|
| WEB UI | Update FW from file, check FW on server, configuration profiles, configuration backup |
| FOTA | Update FW |
| RMS | Update FW/configuration for multiple devices at once |
| Keep settings | Update FW without losing current configuration |

FIRMWARE CUSTOMIZATION

| | |
|---------------------|---|
| Operating system | RutOS (OpenWrt based Linux OS) |
| Supported languages | Busybox shell, Lua, C, C++ |
| Development tools | SDK package with build environment provided |

POWER

| | |
|---------------------|----------------------------|
| Connector | RJ45 Socket |
| Input voltage range | 44.0 – 57.0 V |
| PoE standards | 802.3af PoE Class 1 |
| Power consumption | Idle: < 4 W / Max: < 5.5 W |

PHYSICAL INTERFACES

| | |
|-------------|--|
| Ethernet | 1 x RJ45 10/100/1000 Mbps |
| Status LEDs | 1 x Power LED (can be turned off from web-UI) |
| Antennas | 2 x Internal for 2.4 GHz Wi-Fi, 2 x Internal for 5 GHz Wi-Fi |
| Reset | Reboot/User default reset/Factory reset button |

PHYSICAL SPECIFICATION

| | |
|------------------------|---|
| Casing material | UV stabilized plastic |
| Dimensions (W x H x D) | Ø 158 mm x 30 mm |
| Weight | 190 g |
| Mounting options | AP Mounting Bracket (for ceiling mount) |

OPERATING ENVIRONMENT

| | |
|---------------------------|--|
| Operating temperature | -40 °C to 75 °C |
| Operating humidity | 10% to 90% non-condensing for all our devices. |
| Ingress Protection Rating | IP30 |

REGULATORY & TYPE APPROVALS

| | |
|------------|---|
| Regulatory | CE, UKCA, FCC, IC, RCM, CB, EAC, UCRF, WEEE |
|------------|---|

EMI IMMUNITY

| | |
|------------------|---|
| Standards | EN 55032:2015+A11:2020 EN 55035:2017+A11:2020 EN 61000-3-3:2013+A1:2019+A2:2021 EN IEC 61000-3-2:2019+A1:2021 EN 301 489-1 V2.2.3 EN 301 489-17 V3.2.4 |
| ESD | EN 61000-4-2:2009 |
| RS | EN IEC 61000-4-3:2020 |
| EFT | EN 61000-4-4:2012 |
| Surge protection | EN 61000-4-5:2014+A1:2017 |
| CS | EN 61000-4-6:2014 |
| DIP | EN IEC 61000-4-11:2020 |

RF

| | |
|-----------|---|
| Standards | EN 300 328 V2.2.2; EN 300 893 V2.1.1; EN 300 440 V2.2.1 |
|-----------|---|

SAFETY

| | |
|-----------|---|
| Standards | IEC 62368-1:2018 EN IEC 62368-1:2020+A11:2020 EN IEC 62311:2020 |
|-----------|---|

WHAT'S IN THE BOX?

STANDARD PACKAGE CONTAINS

- TAP200 Access point
- QSG (Quick Start Guide)
- Wi-Fi Information sticker
- Packaging box



STANDARD ORDER CODES

| PRODUCT CODE | HS CODE | HTS CODE | PACKAGE CONTAINS |
|--------------|---------|------------|---|
| TAP200 00000 | 851762 | 8517.62.00 | Standard Package |
| TAP200 00300 | 851762 | 8517.62.00 | Standard package with 15 W PoE Injector |

For more information on all available packaging options – please contact us directly.

TAP200 SPATIAL MEASUREMENTS & WEIGHT

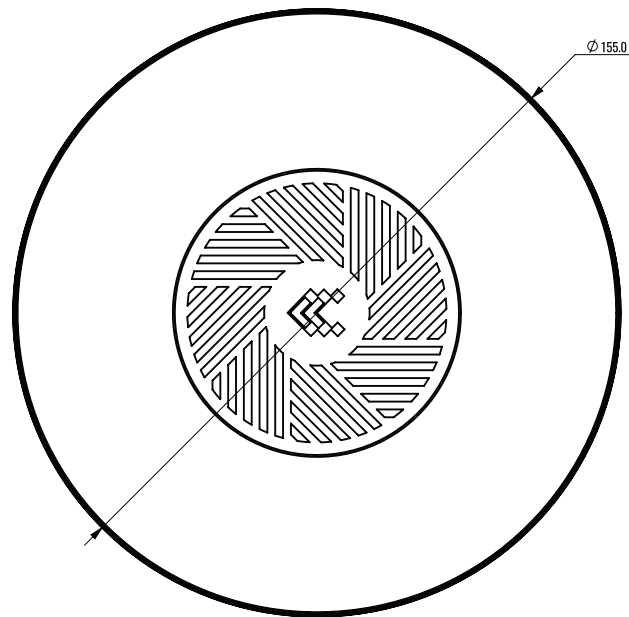
MAIN MEASUREMENTS

Dimensions for TAP200:

Device housing*: \varnothing 158 mm x 30 mm
 Box: 355 mm x 175 mm x 60 mm

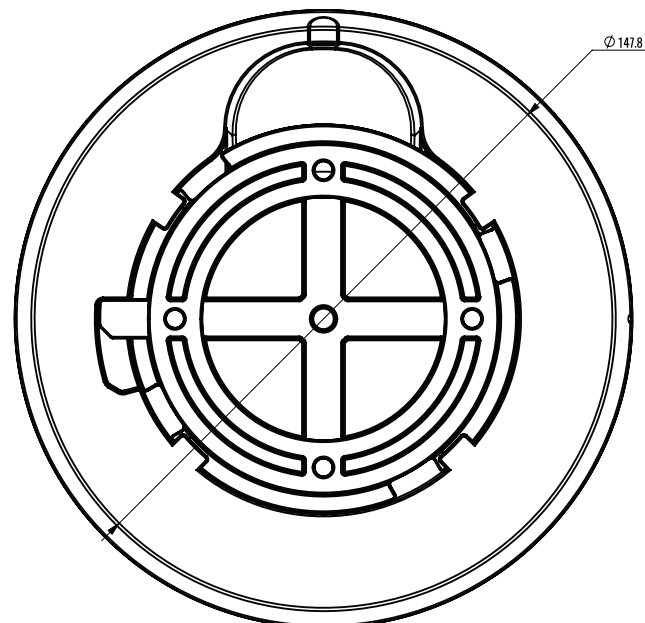
TOP VIEW

The figure below depicts the measurements of TAP200 and its components as seen from the top:



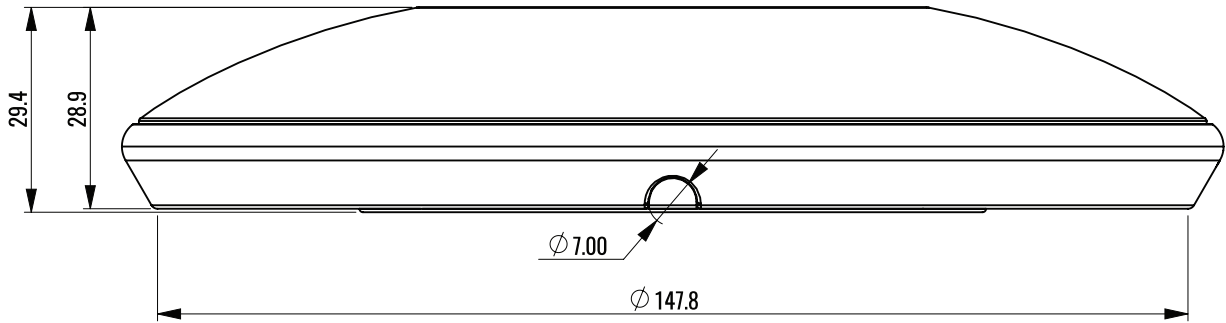
BOTTOM VIEW

The figure below depicts the measurements of TAP200 and its components as seen from the bottom side:



SIDE VIEW

The figure below depicts the measurements of TAP200 and its components as seen from the front panel side:



MOUNTING SPACE REQUIREMENTS

The figure below depicts an approximation of the device's dimensions when cables and antennas are attached:

