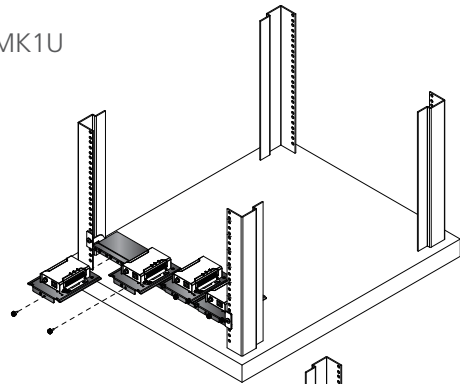


Video Extender Rack Mount Kit

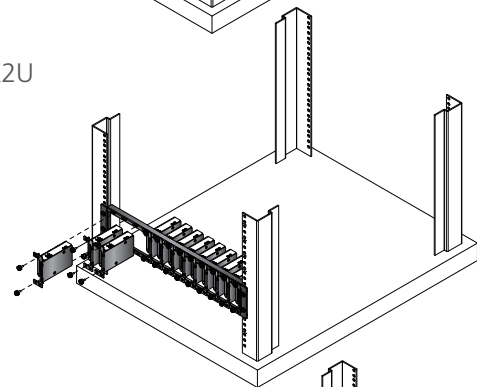
VE-RMK1U / VE-RMK2U / VE-RMK3U

ATEN's Video Extender Rack Mount Kit offers a range of flexible mounting solutions for installing ATEN video extenders and KVM extenders in a rack. Users can choose from three VE-RMK rack mount kits (1U, 2U, and 3U) to match the extender type that is being installed for a well-organized and easy-to-maintain setup.

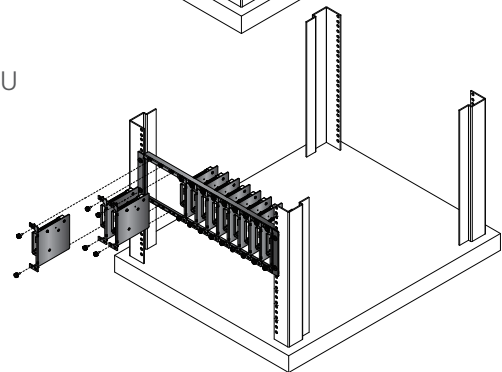
VE-RMK1U



VE-RMK2U



VE-RMK3U



VE-RMK1U



VE-RMK2U



VE-RMK3U



Features

- The design of standard 1U, 2U, and 3U fits in to rack space neatly
- Fixed stand allows extenders to be safely installed on the rack
- Allows easy cabling and maintenance
- Provides flexible rack mounting for 1 to 12 extenders

Compatible Products

1U	CS724KM, CS72D, CS72E, CS74D, CS74E, CE924, CE611, KE8900SR, KE8900ST, KE9900ST, CE920, CE920L, CE920R, CE820L, CE820R, CE820, CE610A, CE624, CE620, KE6900ST, CE750A, CE100, CE250A, CE350, CE370, CE600, CE602, CE604, CE610, CE700A, CE750, CE770, CE790, CE800B, KA8270, KA8278, KA8280, KA8288, CN8000A, CN8000, VE8952R, VE8952T, VE66DTH, VE8900R, VE8900T, VE8950R, VE8950T, RCM101A, UC2322, UC2324, UC4852, UC4854, VC1280, VC880, VE3912T, VE2812AT, VE883R, VE883T, VE2812R, VE883, VE814A, VE814AR, VE814AT, VE813A, VE816R, VE811, VE811R, VE811T, VE2812T, VE1812, VE901, VB802, VE150A, VE170, VE172R, VE300, VE500, VE560, VE600A, VE601, VE602, VE800A, VE801, VE802, VE803, VE810, VE812, VE813, VE814, VE882, VE892, VE1843, VS184B, VS182B, VS192, VS194, VS182A, VS481C, VS481A, VS481B, KA9140
2U	CE100, VE560, VE600A, VE602, VE800A, VE803, VE810
3U	CE100, VE560, VE600A, VE601, VE602, VE800A, VE801, VE803, VE810, VE811, VE901

Product information is subject to change without prior notice.

Released: 08/2021 V3.0

© Copyright 2021 ATEN® International Co., Ltd.
 ATEN and the ATEN logo are registered trademarks of ATEN International Co., Ltd.
 All rights reserved. All other trademarks are the property of their respective owners.

