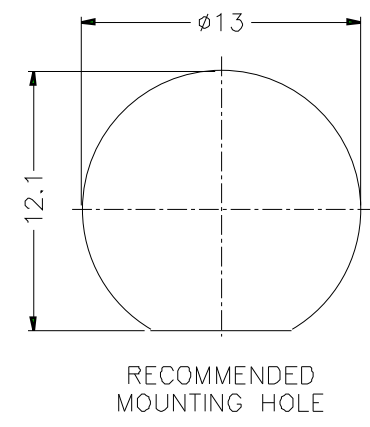
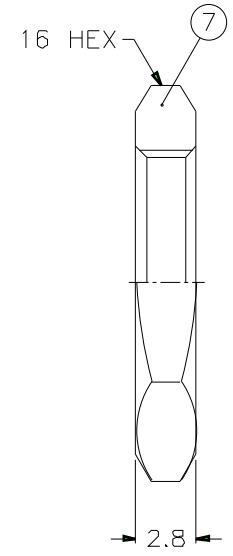
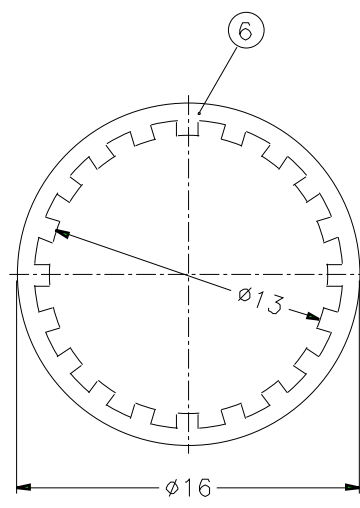
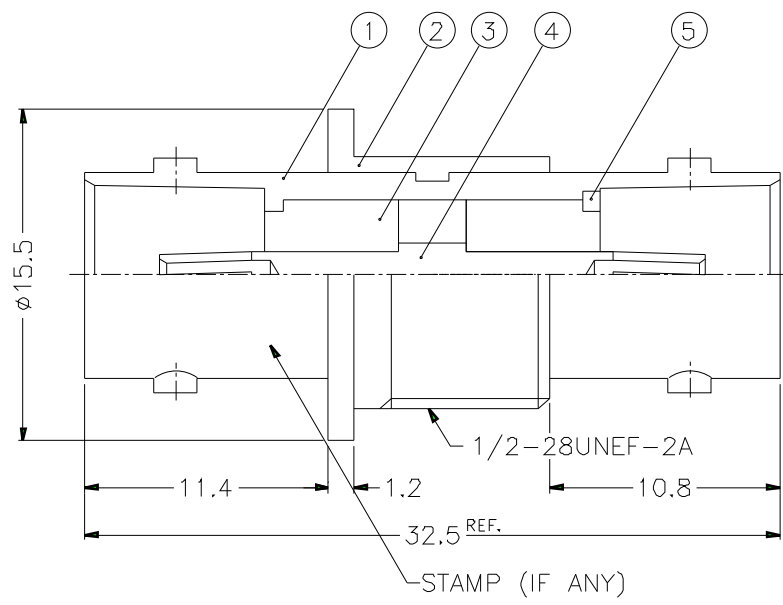


1			2			3			4			5			6			7			8		
REVISIONS																							
ISS	ZONE	DESCRIPTION\PER REQUEST\DATE																					



NOTES: FINISH (PLATING THICKNESS IN MICRO-INCHES)
 1. BRASS PER QQ-B-626
 2. BRASS PER QQ-B-613
 3. NICKEL PL. 100 MIN. THICK OVER COPPER STRIKE
 4. PHOSPHOR BRONZE PER QQ-B-750
 5. GOLD PL. 3 MIN. THICK OVER NICKEL PL. 100 MIN. THICK OVER COPPER STRIKE

1. MAX. PANEL THICKNESS=5.5mm

DIMENSIONS ARE IN MILLIMETERS						PART NO. B7771B3-ND3G-75			Amphenol		
7	HEX NUT	NOTE 1	NOTE 3	1	HN16-1/2-28X28	UNLESS OTHERWISE SPECIFIED TOLERANCES					
6	LOCK WASHER	NOTE 2	NOTE 3	1	LW-16/13X05	0.5-6 = ±0.2			10-11-01'		
5	LOCK RING	NOTE 2	NOTE 3	1	B7700-4	6-30 = ±0.4			CHECKED	DATE	
4	CONTACT PIN	NOTE 4	NOTE 5	1	B7900-4	30-120 = ±0.6			10-11-01'		
3	INSULATOR	DELTRIN	NATURAL	2	B7996ZZ-3-75	120-315 = ±1			DRAWN	DATE	
2	INSULATOR	DELTRIN	WHITE	1	B7771B3-1P	315-1000 = ±1.6			10-11-01'		
1	BODY	NOTE 1	NOTE 3	1		1000-2000 = ±2.4			TITLE BNC FEMALE TO FEMALE BULKHEAD ISOLATED ADAPTOR		
NO.	DESCRIPTION	MATERIAL	FINISH	Q'TY	DRAWING NO.	SCALE	3/1	ISSUE	A	FILE NO.	DRAWING NO. KJ-B7771B3-ND3G-75
											ITEM NO.

1			2			3			4			5			6			7			8		
---	--	--	---	--	--	---	--	--	---	--	--	---	--	--	---	--	--	---	--	--	---	--	--