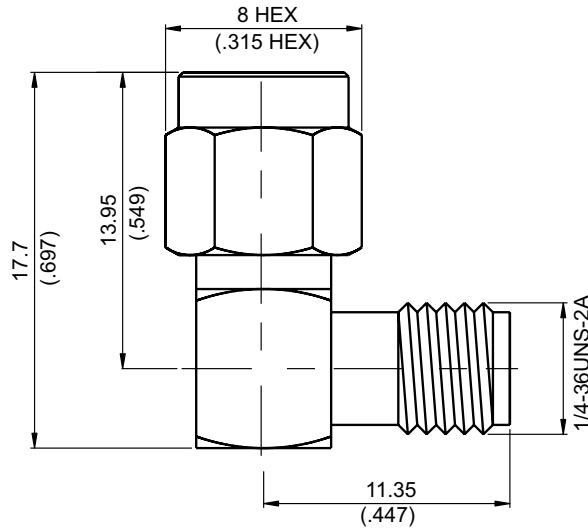


AL-A6A9

SMA Reverse Polarity Plug To SMA Reverse Polarity Jack Right Angle
50Ω



Typical VSWR

Part Number	1 GHz	2 GHz	3~5 GHz	6~8 GHz	9~10GHz
AL-A6A9	1.03	1.05	1.06	1.16	1.32

Parts	Material	Plating (Micro-inch)
Cover	Brass	Gold 5 Over Nickel 50 Over Copper 50
Renbrock Ring	Beryllium Copper	Gold 5 Over Nickel 50 Over Copper 50
Gasket	Silicon	
Contact Pin(RP Plug)	Beryllium Copper	Gold 10 Over Nickel 50 Over Copper 50
Insulator	Teflon	
Contact Pin(RP Jack)	Brass	Gold 10 Over Nickel 50 Over Copper 50
Body	Brass	Gold 5 Over Nickel 50 Over Copper 50
Coupling Nut	Brass	Gold 5 Over Nickel 50 Over Copper 50

Weight:

This part number complies with RoHS.

Notice: JYEBAO reserves the right to make modifications deemed appropriate.