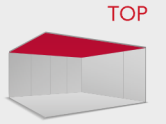


MONOPROJECTOR
Col. ● Code 06080 ● Code 26080 ● Code 16080



15KG
33LBS



Projector

Monoprojector



Supporto universale da soffitto, snodato per videoproiettori.

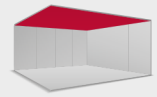


Adjustable ceiling bracket for video projectors.

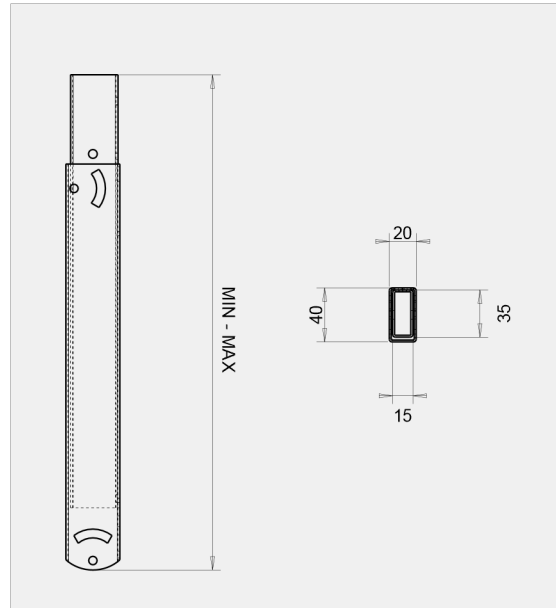
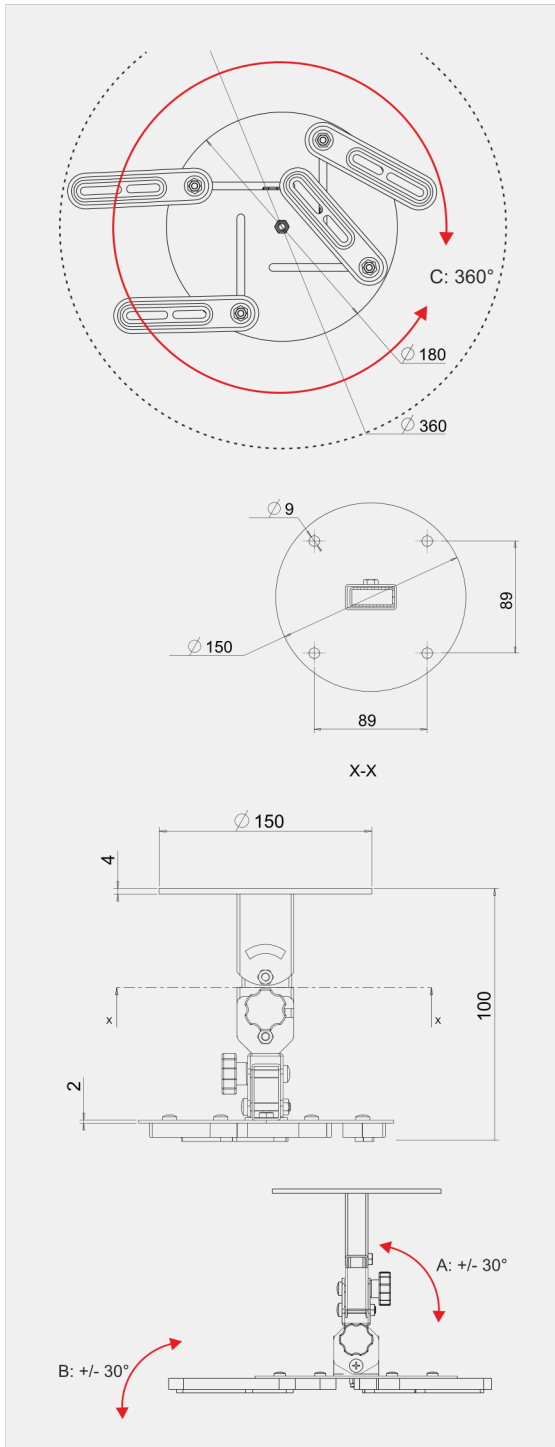


Targeted to Professionals

TOP



Projector



ACCESSORI

EXTENSION 900-1700

col. ● 26083 ○ 16083 ● 06083
REGOLABILE DA 900 A 1700 MM.

EXTENSION 500-900

col. ● 26082 ○ 16082 ● 06082
REGOLABILE DA 500 A 900 MM.

EXTENSION 300-500*

col. ● 26081 ○ 16081 ● 06081
REGOLABILE DA 300 A 500 MM.

ACCESSORY

EXTENSION 900-1700

col. ● 26083 ○ 16083 ● 06083
ADJUSTABLE FROM 900 TO 1700 MM.

EXTENSION 500-900

col. ● 26082 ○ 16082 ● 06082
ADJUSTABLE FROM 500 TO 900 MM.

EXTENSION 300-500*

col. ● 26081 ○ 16081 ● 06081
ADJUSTABLE FROM 300 TO 500 MM.

* Adatto per soffitto e parete / suitable for ceiling and wall.