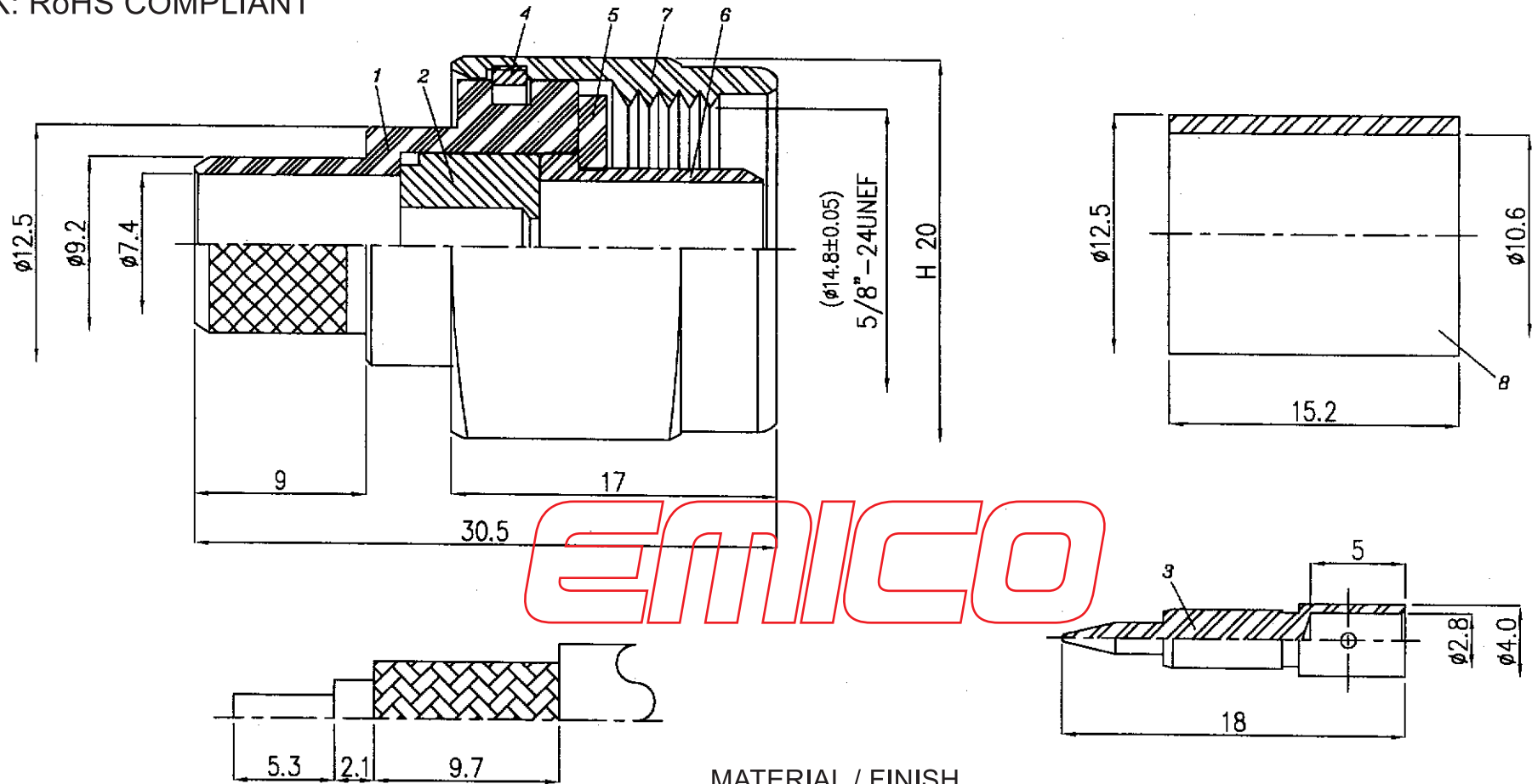


REMARK: RoHS COMPLIANT



MATERIAL / FINISH

- |                                  |                            |
|----------------------------------|----------------------------|
| 1. BODY: BRASS / NICKEL          | 5. GASKET: RUBBER          |
| 2. INSULATION: TEFLON            | 6. GROUND: BRASS / NICKEL  |
| 3. CONTACT: BRASS / GOLD         | 7. SHELL: BRASS / NICKEL   |
| 4. RETAINING PIN: BRASS / NICKEL | 8. FERRULE: BRASS / NICKEL |

THIRD ANGLE	UNIT	DATE	TITLE: N Male Crimp for LMR400
	MM	2006/8/11	
DRAWING BY	APPROVED BY	VERSION	DRAWING NO. EM-NC001-LM400-NGT
LEE	H	A	

**EMICO**® **CONNECT YOUR LIFE**  
 TEL: +886-3-3117527; +886-3-3119828  
 FAX: +886-3-2225330  
 E-mail: emico.tw@msa.hinet.net  
 Website: www.emico-tw.com.tw

**EMICO INDUSTRY CORPORATION**