



## CableCaddy

Universal manual cable control for AV and data cables

- The cables are wound up by a spring mechanism
- The cables can be extended up to 70 cm and have three stop positions
- Pull the connection cable and the spring mechanism is activated and winds up the cable
- The CableCaddy is the ideal supplement to the Kindermann CablePort desktop connections, it can be mounted horizontally or vertically under the desk
- An especially smooth cable guide and a big reel diameter allow the use of low-budget standard cables of up to 8 mm diameter, e. g. HDMI, VGA, USB, cat, audio
- For every cable a separate magazine is required

### Note:

In a test cycle of more than 3000 operations the full electrical function of the following standard cables was proved:

- HDMI cable, 2 m - 5809 000 702
- VGA cable, 2 m - 7483 000 402
- Cat-6 patch cable, 2 m - 5772 000 102

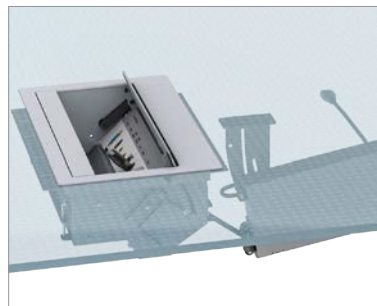





Illustration		Ref. No.
	<p><b>CableCaddy</b>                      Universal cassette without cable, suitable for insertion of round cables from 6 to 8 mm diameter, incl. attachment angle for horizontal mounting</p> <p>Dimensions with mounting brackets: 575 x 47 x 126 mm                      Weight without cable: approx. 2.6 kg</p>	4005 000 000
	<p><b>CableCaddy - Mounting brackets</b>                      For vertical installation of the CableCaddy on table tops or in connection with rail 4005 000 011 for „magazine installation“ when using several CableCaddys at the same connection field</p>	4005 000 010
	<p><b>CableCaddy - Mounting brackets</b>                      For installation of up to 4 CableCaddys at the same connection field side by side on narrow space, requires one holder 4005 000 010 per CableCaddy</p>	4005 000 011