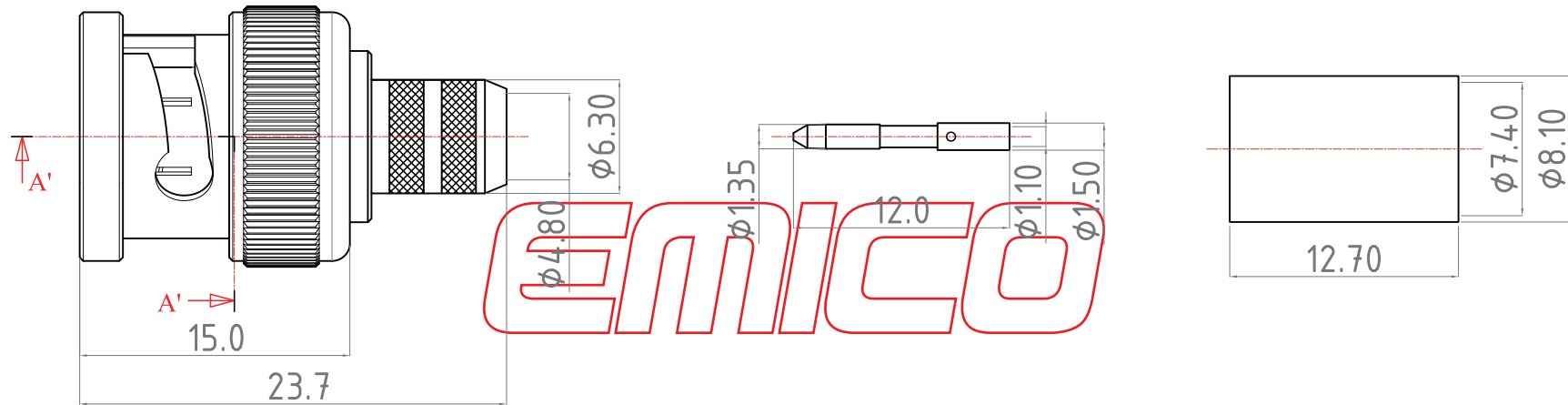
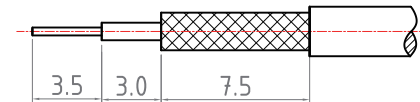


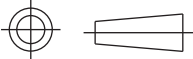
REMARK: RoHS COMPLIANT



MATERIAL / FINISH

1. BODY: BRASS / NICKEL
2. INSULATION: PTFE
3. CONTACT: BRASS / GOLD
4. FERRULE: BRASS / NICKEL



THIRD ANGLE	UNIT	DATE	TITLE: BNC Male Crimp for Belden 1694A 75 ohm
	MM	2017/7/11	
DRAWING BY	APPROVED BY	VERSION	DRAWING NO. EM-BH001-1694-NGT
LEE	S1	A	

EMICO® CONNECT YOUR LIFE

TEL: +886-3-3117527; +886-3-3119828

FAX: +886-3-2225330

E-mail: emico.tw@msa.hinet.net

Website: www.emico-tw.com.tw

EMICO INDUSTRY CORPORATION