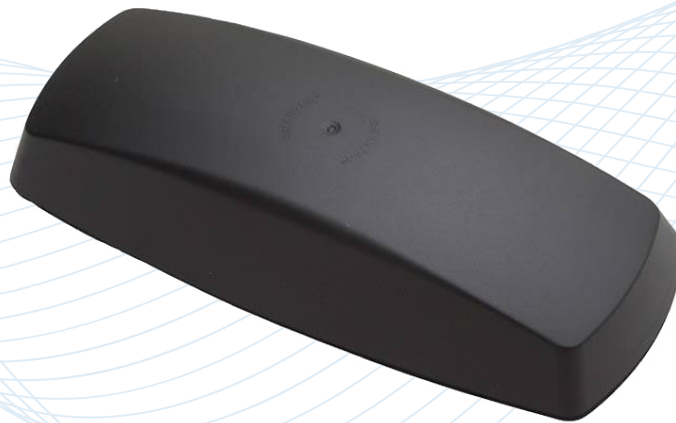


Smarteq™ LPCA Family Low Profile Combination Antenna

10-in-1 TETRA + Cellular + GNSS + Wi-Fi

LPCA 1-7



Description

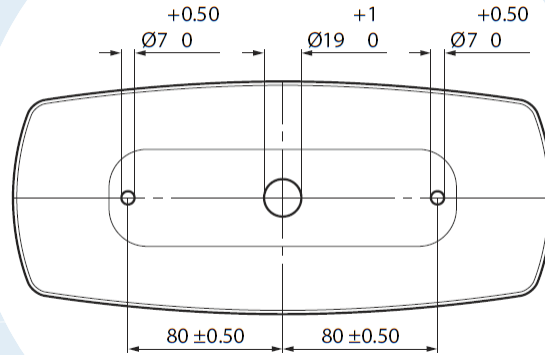
Low profile configurable antenna designed to support multi-system solutions for heavy vehicles, buses, ambulances, forest machines or M2M applications.

Technologies

- TETRA
- ISM
- CDMA450/LTE450
- Cellular
- Wi-Fi
- GNSS
 - GPS
 - Galileo
 - Glonass

Features

- 10 different configurations
- 430-450 MHz, Cellular
- Low profile, height 50mm
- Ground plane independent
- Rugged
- IP67
- Cable approved acc ECE-R118
- Designed in Sweden in collaboration with the forest industry



Smarteq™ LPCA Family Low Profile Combination Antenna

10-in-1 TETRA + Cellular + GNSS + Wi-Fi

The Smarteq™ LPCA (Low Profile Combination Antenna) is a rugged, low profile combination antenna designed for use in telematics applications. The antenna is the perfect choice when the application needs a multifunctional solution with TETRA, CDMA450/LTE450, cellular, GNSS and Wi-Fi combined for buses, heavy vehicles, ambulances, forest machines or other M2M applications.

Features

- Configurable design TETRA, CDMA450/ LTE450, Cellular, GNSS, Wi-Fi
- Low profile, height 50mm
- Ground plane independent
- Rugged
- IP67
- Cable approved acc ECE-R118
- Designed in Sweden in collaboration with the forest industry

Applications

- Public safety
- Fleet management
- Navigation / Positioning
- Agriculture, construction equipment
- V2X
- Cargo/load handling
- M2M

Certifications



SPECIFICATIONS

Smarteq™ LPCA Family Low Profile Combination Antenna

10-in-1 TETRA + Cellular + GNSS + Wi-Fi

Selection of Smarteq™ LPCA Models

Model	Part Number	Antenna Ports						
		TETRA 380-410MHz	TETRA 410-430MHz	ISM 430-450MHz	CDMA 450/LTE450 450-470MHz	Cellular	GNSS	Wi-Fi
Smarteq™ LPCA 1	710068				■	■	■	
Smarteq™ LPCA 2	710100	■				■	■	
Smarteq™ LPCA 3	710130		■			■	■	
Smarteq™ LPCA 4	710153				■	■	■	■
Smarteq™ LPCA 5	710156	■				■	■	
Smarteq™ LPCA 6	710150		■			■	■	■
Smarteq™ LPCA 7	710289			■		■		
Smarteq™ LPCA 8 ¹	710494		■					
Smarteq™ LPCA 9 ¹	710460				■			
Smarteq™ LPCA 10 ¹	710573	■					■	

Electrical Specifications

TETRA / CMDA450

Frequencies	TETRA	380-410MHz 410-430MHz 430-450MHz
	CDMA450/LTE450	450-470MHz
Impedance	50Ω	
Polarization	Vertical	
Radiation characteristics	Omni	
VSWR ²	2:1	
Gain ²	2.15dBi	
Max Power	10W	

Wi-Fi

Frequencies	2400-2485MHz 4915-5875MHz
Impedance	50Ω
Polarization	Vertical
Radiation characteristics	Omni
VSWR ²	1.5:1
Gain ²	2.15dBi
Max Power	10W

Cellular

Frequencies	790-960MHz 1710-2690MHz	
Impedance	50Ω	
Polarization	Vertical	
Radiation characteristics	Omni	
VSWR ²	790-960MHz	3:1
	1710-2690MHz	2:1
Gain ²	790-960MHz	2.51dBi
	1710-2690MHz	3.15dBi
Max Power	10W	

¹ Please see separate datasheet
² Measurements are made on Ø1m ground plan

SPECIFICATIONS

Smarteq™ LPCA Family Low Profile Combination Antenna

10-in-1 TETRA + Cellular + GNSS + Wi-Fi

Electrical Specifications

GNSS (GPS / Glonass / Galileo)

Frequency	1575-1610 MHz (GPS L1, Glonass L1, Galileo E1)
Impedance	50Ω
Polarization	RHCP
VSWR ²	<2.0:1
Passive Gain (peak)	-3.5dBic@fc
Active Gain	27dB
Supply Voltage	2.8-5.5V
Typical Current Consumption	15-25mA

Mechanical and Environmental Specifications (All Models)

Physical

Dimensions (L x W x H)	280 x 120 x 50mm			
Color	Black, other colors available upon request			
Installation	Hole mount, Ø19mm; Installation thickness ≤ 6mm			
Cable	System	Length	Type	
	TETRA, CDMA450/LTE450	615mm	RG316	
	Cellular	515mm	RG316	
	GNSS	565mm	RG316	
	Wi-Fi	465mm	RG316	
Connector	Part Number	Model	Connector Type	Connector Gender
	710068	Smarteq™ LPCA 1	FAKRA	Male
	710100	Smarteq™ LPCA 2	SMA	Female
	710130	Smarteq™ LPCA 3	FAKRA	Male
	710153	Smarteq™ LPCA 4	FAKRA	Male
	710156	Smarteq™ LPCA 5	FAKRA	Male
	710150	Smarteq™ LPCA 6	FAKRA	Male
	710289	Smarteq™ LPCA 7	TNC	Male
	710494	Smarteq™ LPCA 8 ¹	FME	Female
	710460	Smarteq™ LPCA 9 ¹	FME	Female
710573	Smarteq™ LPCA 10 ¹	FAKRA	Male	
Temperature (Storage / Operating)	-40°C to +85°C			
IP Class	IP67			
Compliance / Certifications	This part is RoHS compliant. Certified according to 2014/53/EU Radio Equipment Directive (RED)			

¹ Please see separate datasheet

² Measurements are made on Ø1m ground plan

CONTACT US

**For more information about
this product contact your
sales representative or visit
> pctel.com/antenna-products**

Solving Complex Wireless Challenges

PCTEL is a leading global provider of wireless technology solutions, including purpose-built Industrial IoT devices, antenna systems, and test and measurement products. Trusted by our customers for 29 years, we solve complex wireless challenges to help organizations stay connected, transform, and grow.



PCTEL, Inc.

T: +1 630 372 6800 | pctel.com