

4G/5G/LTE Low-Profile Multi-Band MIMO M2M Antenna

1. Introduction

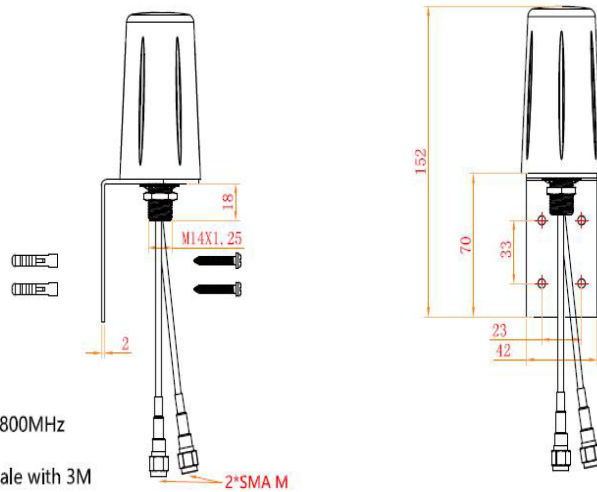
This M2M antenna provides optimal 4G 5G LTE MIMO coverage in a single, extra low-profile housing. Its compact footprint makes this antenna ideal for installation on surfaces with limited surface space, including leading public safety vehicle rooftops and many machine-to-machine applications. No tune, multi-band coverage: dual 4G 5G LTE, 802.11ac Wi-Fi and GSM/3G frequencies. IP67 compliant design provides maximum protection against water or dust ingress under Extra low-profile, UV-resistant black or white housing options complement most vehicular aesthetic requirements.



AC7383 DATASHEET

2. Specification

Electrical	
Frequency Range	2x698-960/1710-3800MHz
Gain	2x3dBi
V.S.W.R	≤2.5
Radiation	Omni-Direction
Polarization	Vertical
Maximum Input Power	50W
Impedance	50Ω
Connector	2xSMA Male
Cable Type	LMR100
Cable Length	2x3M
Antenna Radome Material	ABS
Mount way	Screw
Wetherproof	IP67
Mechanical	
Dimensions	Φ48x82mm
Weight	160g
Operating Temperature	-40℃ to+70℃
RoHS Compliant	YES



- 1.Freq:698-960/1710-3800MHz
- 2.Gain:2x3dBi
- 3.Connector:2x SMA male with 3M LMR100 cable
- 4.Dimension:Φ48x82mm
- 5.Installtion way:Wall Mount
- 6.Bracket with 4 holes

Technology: RoHS									
3									
2			STANDARD	P/No:		Qty	1PCS	DR.	Y.J.P
1				SPEC		Wet	200g	VENDER	CHER
NO.	PARTNAME	DESCRIPTION	MATERIAL	DWG NO.		REV	A	CHKD	BEN
				SHEET	1/1	UNIT	MM	投影法	DAY
									2020-09-24