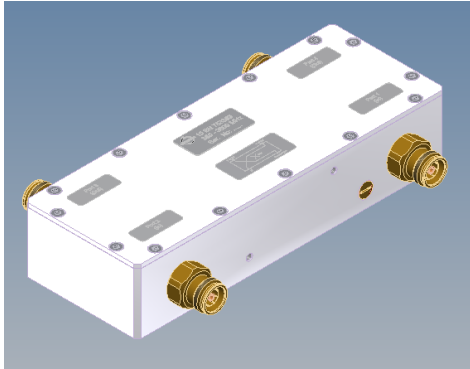
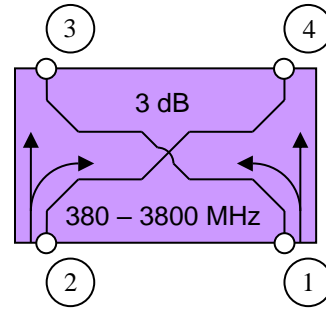


**DIRECTIONAL COUPLER 380-3800 MHz**



Picture not binding



block diagram

**Electrical characteristics**

Part number	<b>BN 753393</b>
Coupling attenuation	3.05 dB ± 0.6 dB
Frequency range	380 – 3800 MHz
Isolation	≥ 30 dB   typ. 35 dB
Impedance	50 Ohm
Special feature	DC path Port 1 → Port 3, Port 2 → Port 4 (max. 6.5A AISG2 conform)
Test voltage	500 V
Passive intermodulation (IM3), 3rd order @ 2 x 20W	-160 dBc max. / -165 dBc typ.
VSWR	≤ 1.2
Power Rating	500W (CW) max. per port

**Mechanical characteristics**

Connectors Port 1 – 2 Port 3 – 4	4.3-10 female Input ports Output ports
Dimensions, approx.	238 x 140 x 50 mm (Width x Height x Depth)
Weight, approx.	2.1 kg
Color	light grey (RAL 7047)
Wall / Mast mounting	to be ordered separately under BN B13702

**Environmental conditions**

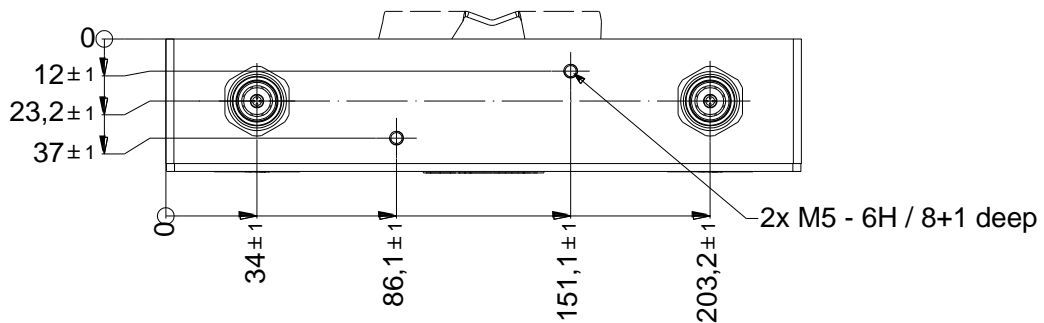
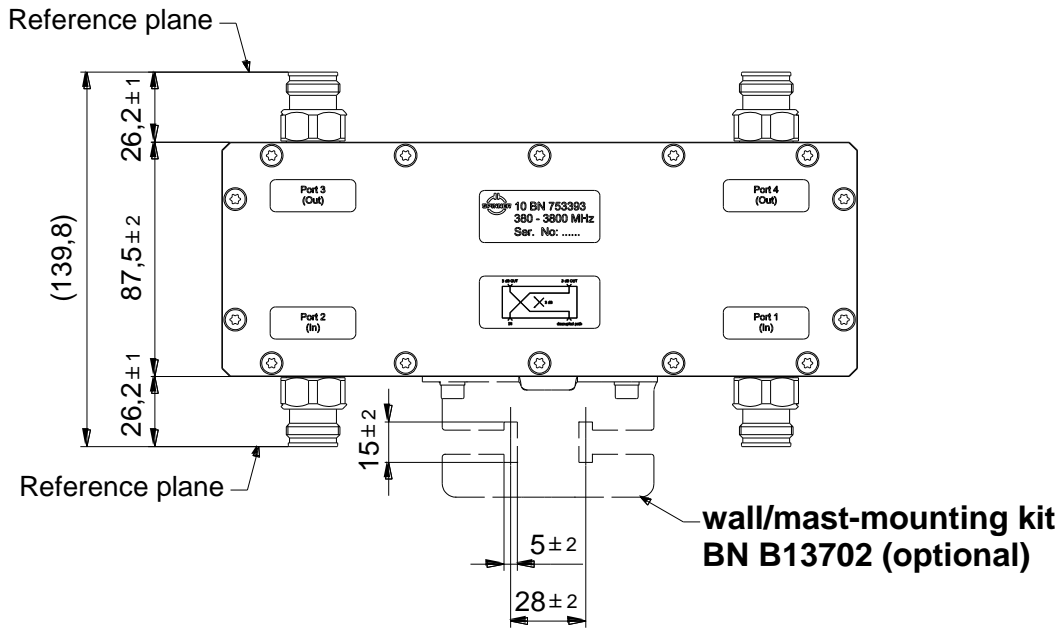
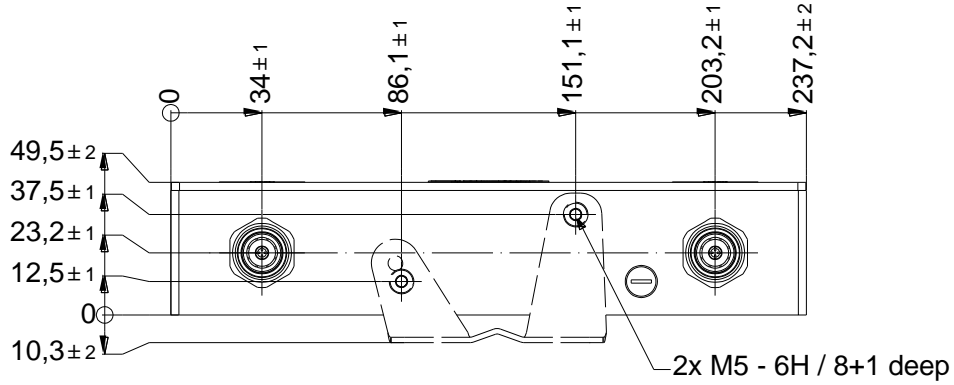
Class. of environmental conditions	ETSI EN 300019-1-1 Class 1.2 ETSI EN 300019-1-2 Class 2.3 ETSI EN 300019-1-4 Class 4.1E
Degree of protection	IP 65 (Outdoor)
Operation Ambient temperature range	-40 °C to +55 °C
Storage Ambient temperature range	-40 °C to +85 °C
Relative humidity, max.	95% (non-condensing)

This document is proprietary to us. All rights reserved. Any use, transfer, or reproduction of this document or the know-how contained therein requires our express consent.

Template TD-00002Y

# DIRECTIONAL COUPLER 380-3800 MHz

Outline (all dimensions in millimeter)



## Standard:

4.3-10 female (50 ohms): IEC 61169-54

modifications reserved!

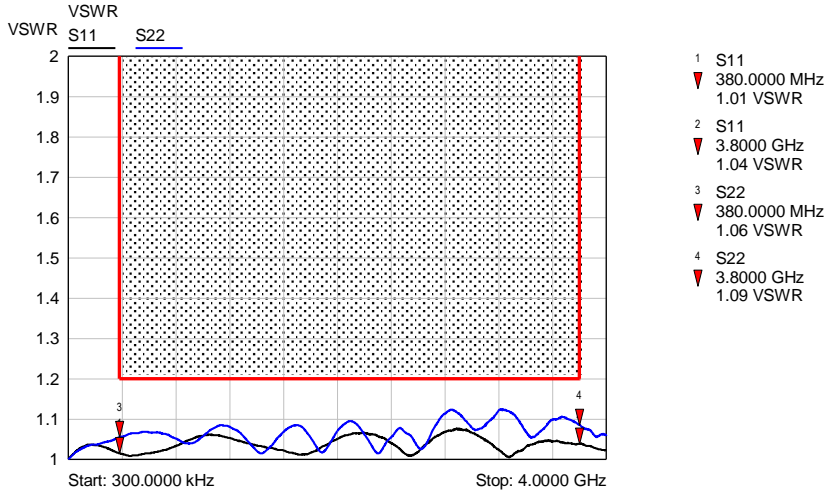
SPINNER GmbH  
This document is proprietary to us.  
All rights reserved. Any use, transfer, or reproduction of this document  
or the know-how contained therein requires our express consent.

Template TD-00002Y

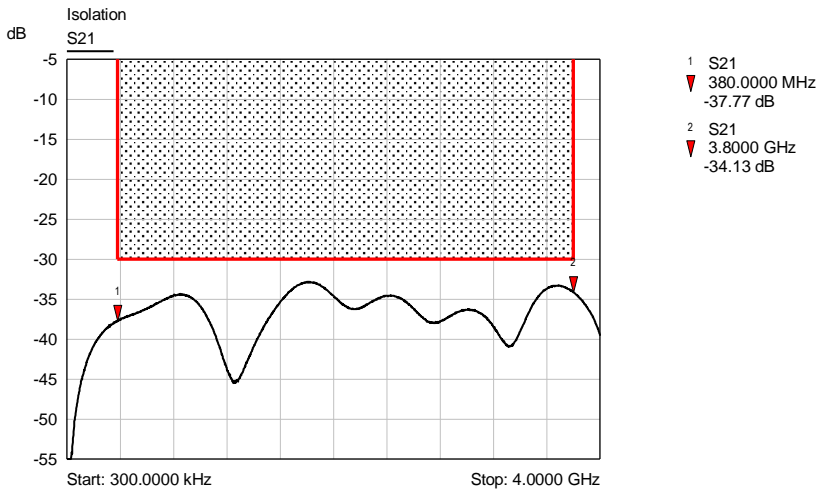
**DIRECTIONAL COUPLER 380-3800 MHz**

**Measurements:**

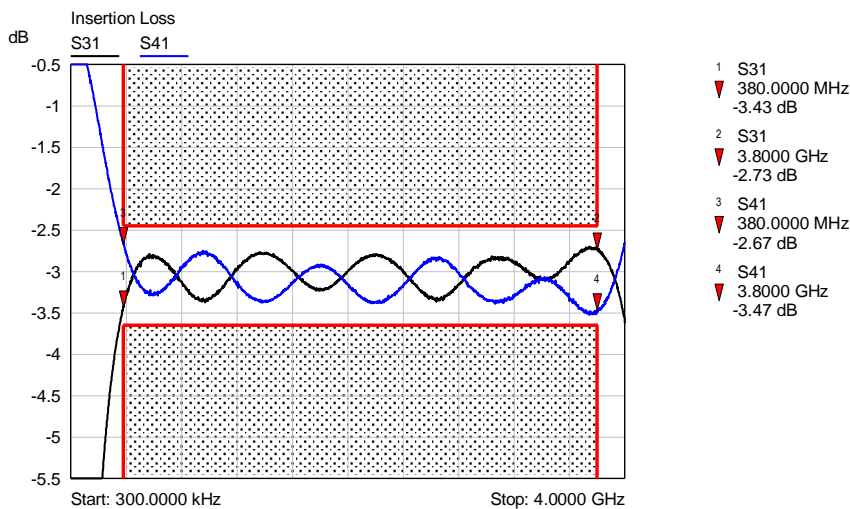
**VSWR:**



**Isolation:**



**Insertion Loss:**



SPINNER GmbH  
 This document is proprietary to us.  
 All rights reserved. Any use, transfer, or reproduction of this document  
 or the know-how contained therein requires our express consent.

Template TD-00002Y