

# GPS/GNSS Combination Magnetic Mount Base

GPSKM



## Combination Magnetic Mount Base

- Magnetic Mount Base with Integral GPS/GNSS Antenna and whip Mounting
- 30dB Gain LNA
- Twinned Coaxial Cable for Easy fit and Removal
- Use with Flexible VHF/UHF Whips

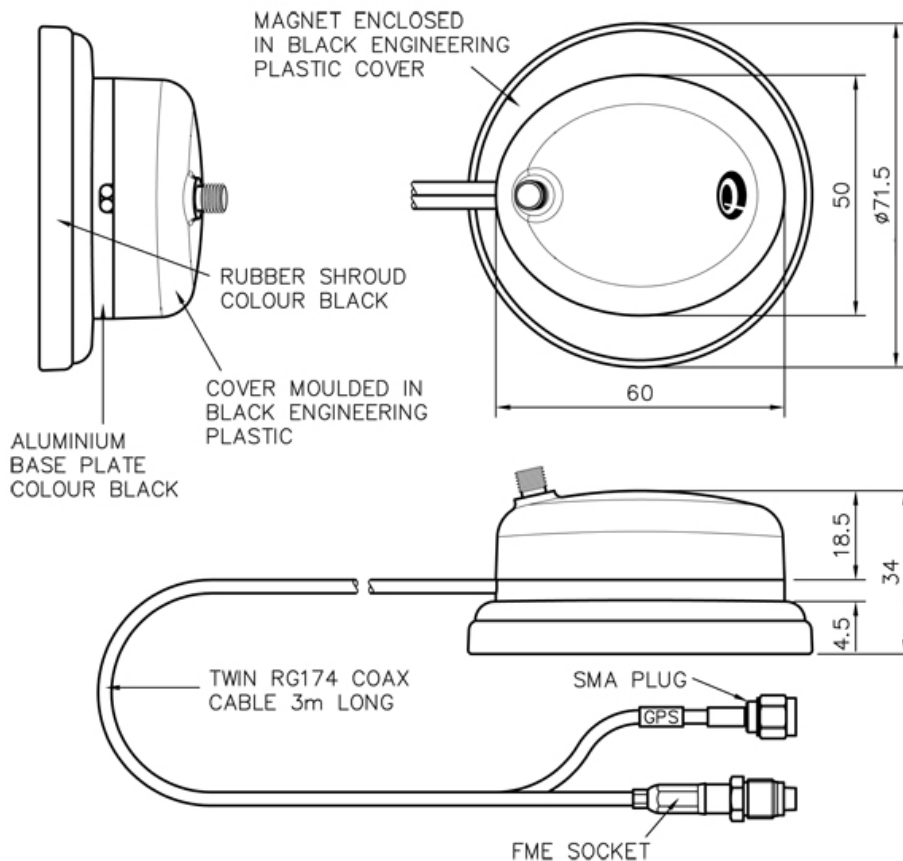
The GPSKM is a dual function, rugged magnetic mount antenna base with an integral active GPS/GNSS antenna with 30dB gain LNA. An M6 thread stud is provided to enable a 'comms' whip to be fitted.

Panorama offers a range of VHF/UHF and 800/900MHz or cellular whips that can be fitted to this base, with a recommended max length of 500mm (19.7") dependent on whip type. The recommended frequency range for this base is 140-960MHz but with selected whips it can operate up to 2170MHz.

The standard variant of the GPSKM is supplied with 3m (10') of 'twinned' RG174 cable fitted with SMA plug (GPS) and FME jack (whip) connectors for easy installation - other cable lengths and connectors types are available.

### Technical Drawing

GPSKM Shown



# GPS/GNSS Combination Magnetic Mount Base GPSKM

Product Data

Part No.		GPSKM-3FS
<b>Electrical Data</b>		
Frequency Range:	dependent on whip ( 140 to 2170MHz)	
Max Input Power (W)	60	
<b>Mechanical Data</b>		
Frequency Range (MHz)	1562-1612	
Typical VSWR	<2.0:1 ± 4MHz	
Gain: LNA	30dB	
Polarisation	Right Hand Circular	
Operating voltage	3 - 5V DC (fed via coax)	
Current	<20mA	
Regulatory approvals	E-mark & CE mark	
<b>Dimensions (mm)</b>		
Base Height	34 (1.34")	
Diameter	71.5 (2.8")	
Operating Temp	-30° / +80°C (-22°/ 176°F)	
Material	A.B.S, plated brass and rubber boot	
Colour	Black	
<b>Mounting Data</b>		
Mounting type	Magnetic	
Maximum Whip Length (mm)	500 (19.7")	
Recommended Max Speed (KMph)*	220 (135 Mph)	
<b>Cable Data</b>		
Cable Type	Twin RG174	
Cable Length (m)	3 (10')	
Cable Diameter (mm)	2.8 (0.1")	
Termination	SMA plug (GPS)   FME Jack (Whip)	