

Multifunction Low Profile Antenna

L[G]-S[X]-7-38-[X24-58]

L[G]-S[X]-7-38-[X24-58]

Low profile rugged housing

Multiple UHF Frequencies, GPS/GNSS,

4G/3G/2G & Up to 2x2 MiMo 2.4/5.0GHz

Tuned for use on non-conductive mounting panel



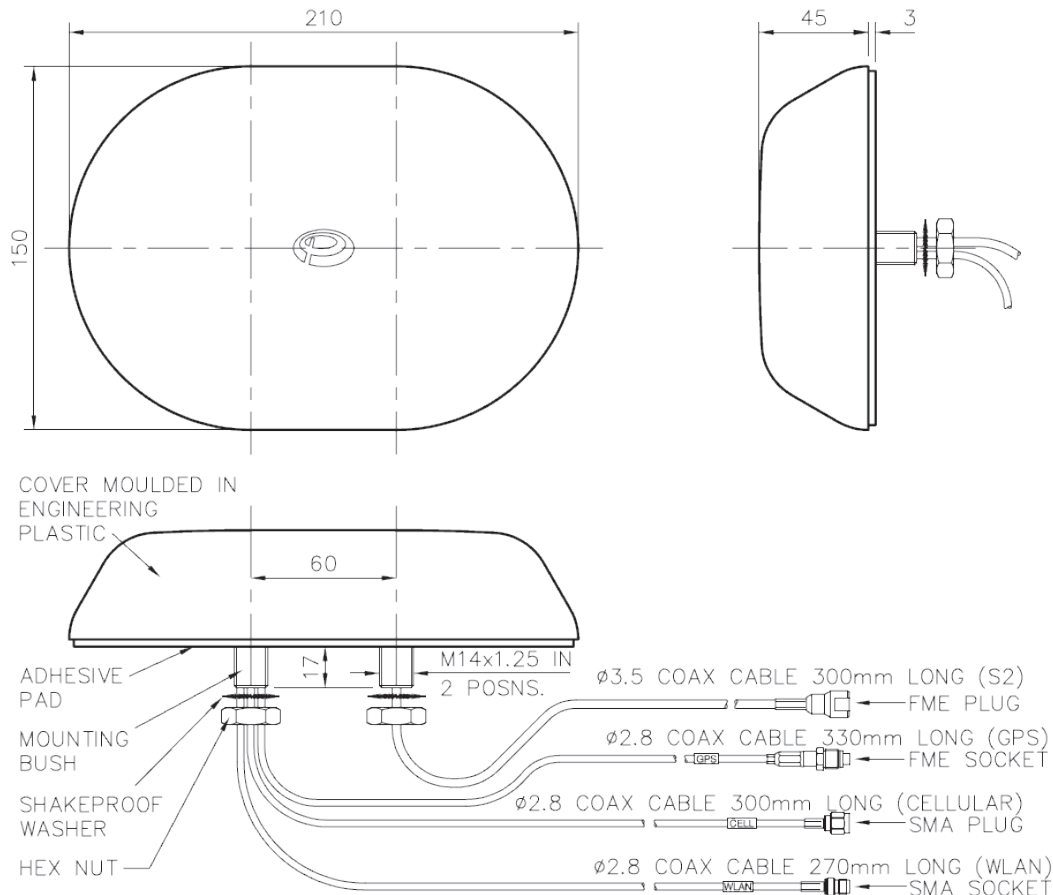
The L[G]-S[X]-7-38-[X24-58] is a compact low profile antenna housing that contains multiple antenna elements covering 4G/3G/2G, an active antenna for GPS/GLONASS/Galileo/Beidou with 26dB gain LNA, a Low profile UHF element and also 1x or 2x 2.4/5.8GHz WiFi elements.

The low profile design provides multiple antenna functions in a single compact and robust package which is ideal for demanding transportation and public safety applications. The antenna is fitted with pigtail cables which are compatible with a range of suitable Panorama Antennas coaxial cables.

The antenna can be tuned for mounting on metal or conductive panels. Contact Panorama Antennas Ltd for more details.

Technical Drawing

LG-S4-7-38-24-58 Shown



Multifunction Low Profile Antenna

L[G]-S[X]-7-38-[X24-58]

Product Data

| Part No. | LG-S1-7-38-D24-58 | LG-S2-7-38-D24-58 | LG-S4-7-38-D24-58 | |
|------------------------|---------------------------------|-------------------------------|-------------------|---------|
| Electrical Data | | | | |
| Frequency Range (MHz) | Element 1 | 380-400 | 410-430 | 450-470 |
| | Element 2 | 698-960, 1710-3800 | | |
| | Element 3 & 4 | 2x 2.4/5.0GHz | | |
| | Element 5 | 1562-1612 | | |
| | Operational Bands | Element 1 | S1 | S2 |
| | Element 2 | 4G/3G/2G | | |
| | Element 3 & 4 | 2x WiFi | | |
| | Element 5 | GPS / GNSS / Galileo / Beidou | | |
| Peak Gain: Isotropic* | Element 1 | -2dBi | | |
| | Element 2 | 1dBi | | |
| | Element 3 & 4 | 2dBi (2.4GHz) 5dBi (5.4GHz) | | |
| Polarisation | Vertical | | | |
| Pattern | Omni-directional | | | |
| Impedance | 50Ω | | | |
| Max input power (W) | 20 | | | |
| GPS/GNSS Data | | | | |
| Frequency Range (MHz) | 1562-1612 | | | |
| VSWR | <2:1 ± 4MHz | | | |
| Gain: LNA | 26dB | | | |
| Polarisation | Right Hand Circular | | | |
| Operating Voltage | 3-5VDC | | | |
| Current | Typical <20mA | | | |
| Mechanical Data | | | | |
| Dimensions (mm) | Length | 210 (8.27") | | |
| | Width | 150 (5.9") | | |
| | Height | 48 (2.1") | | |
| Operating Temp (°C) | -40° / +80°C (-40° / 176°F) | | | |
| Material | ASA, Aluminium Alloy | | | |
| Colour | White | | | |
| Mounting Data | | | | |
| Fixing | Panel Mount | | | |
| Hole Size (mm) | 2x 14 (0.56") | | | |
| Cable Data | | | | |
| Cable Type - All Feeds | FR RG174 (UN ECE 118 Compliant) | | | |
| Dimensions (mm) | Diameter | 2.8 (0.11") | | |
| | Length | 300 mm (12") | | |
| | UHF | FME plug | | |
| Termination | GPS/GNSS | FME socket | | |
| | 4G/3G/2G | SMA plug | | |
| | 2 x WiFi | SMA (f) | | |

Multifunction Low Profile Antenna

L[G]-S[X]-7-38-[X24-58]

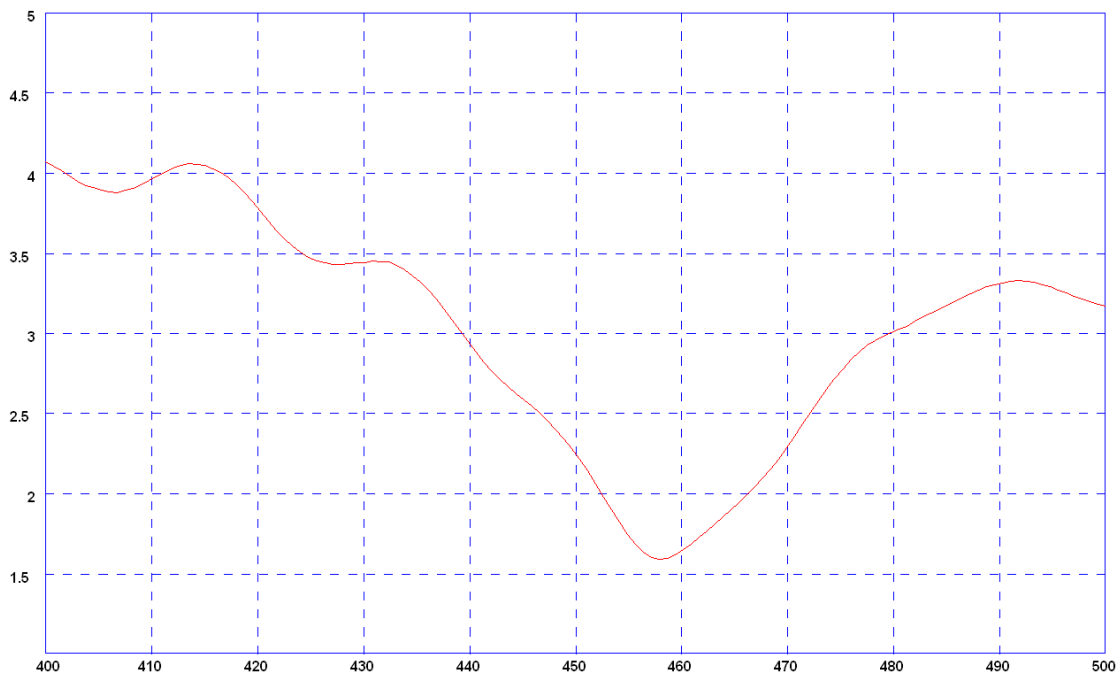
Product Data

| Part No. | | LG-S1-7-38-24-58 | LG-S2-7-38-24-58 | LG-S4-7-38-24-58 |
|------------------------|---------------------------------|-------------------------------|------------------|------------------|
| Electrical Data | | | | |
| Frequency Range (MHz) | Element 1 | 380-400 | 410-430 | 450-470 |
| | Element 2 | 698-960, 1710-3800 | | |
| | Element 3 | 2.4/5.0GHz | | |
| | Element 4 | 1562-1612 | | |
| Operational Bands | Element 1 | S1 | S2 | S4 |
| | Element 2 | 4G/3G/2G | | |
| | Element 3 | 1x WiFi | | |
| | Element 4 | GPS / GNSS / Galileo / Beidou | | |
| Peak Gain: Isotropic* | Element 1 | -2dBi | | |
| | Element 2 | 1dBi | | |
| | Element 3 | 2dBi (2.4GHz) 5dBi (5.4GHz) | | |
| Polarisation | Vertical | | | |
| Pattern | Omni-directional | | | |
| Impedance | 50Ω | | | |
| Max input power (W) | 20 | | | |
| GPS/GNSS Data | | | | |
| Frequency Range (MHz) | 1562-1612 | | | |
| VSWR | <2:1 ± 4MHz | | | |
| Gain: LNA | 26dB | | | |
| Polarisation | Right Hand Circular | | | |
| Operating Voltage | 3-5VDC | | | |
| Current | Typical <20mA | | | |
| Mechanical Data | | | | |
| Dimensions (mm) | Length | 210 (8.27") | | |
| | Width | 150 (5.9") | | |
| | Height | 48 (2.1") | | |
| Operating Temp (°C) | -40° / +80°C (-40° / 176°F) | | | |
| Material | ASA, Aluminium Alloy | | | |
| Colour | White | | | |
| Mounting Data | | | | |
| Fixing | Panel Mount | | | |
| Hole Size (mm) | 2x 14 (0.56") | | | |
| Cable Data | | | | |
| Cable Type - All Feeds | FR RG174 (UN ECE 118 Compliant) | | | |
| Dimensions (mm) | Diameter | 2.8 (0.11") | | |
| | Length | 300 mm (12") | | |
| | UHF | FME plug | | |
| Termination | GPS/GNSS | FME socket | | |
| | 4G/3G/2G | SMA plug | | |
| | 1 x WiFi | SMA (f) | | |

Multifunction Low Profile Antenna

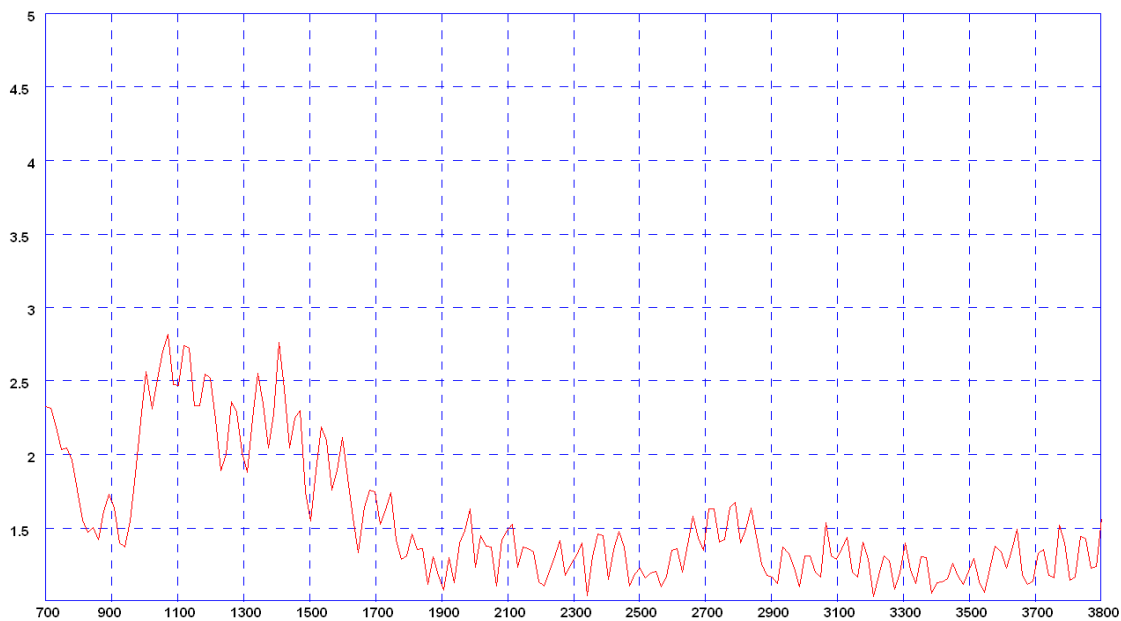
L[G]-S[X]-7-38-[X24-58]

Typical VSWR Element 1 - UHF*



*VSWR for S4 band shown measured in free space with 5m (16') of CS23 cable

Typical VSWR - Element 2 - Cellular*

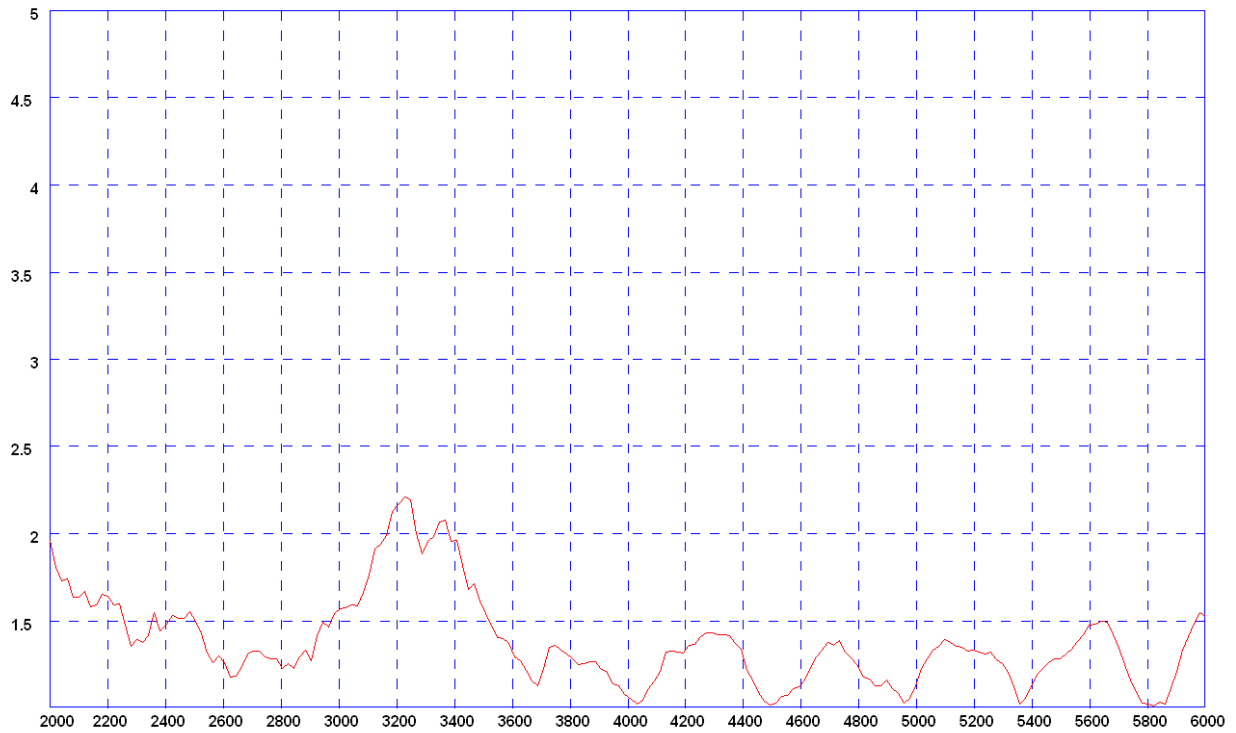


*VSWR measured in free space with 5m (16') of CS29 cable

Multifunction Low Profile Antenna

L[G]-S[X]-7-38-[X24-58]

Typical VSWR Element 3/4 - WiFi*



*VSWR measured in free space with 5m (16') of CS32 cable