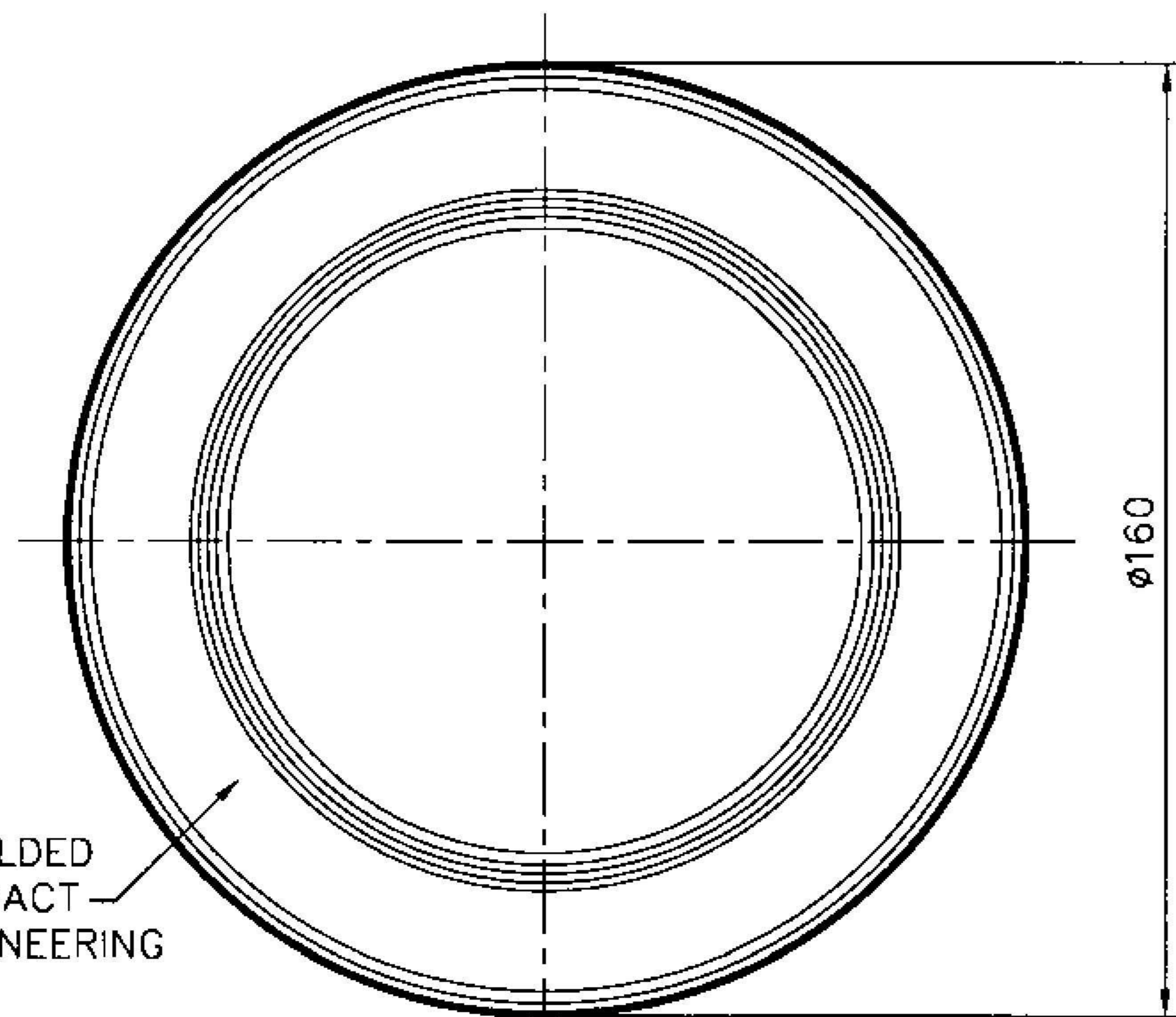
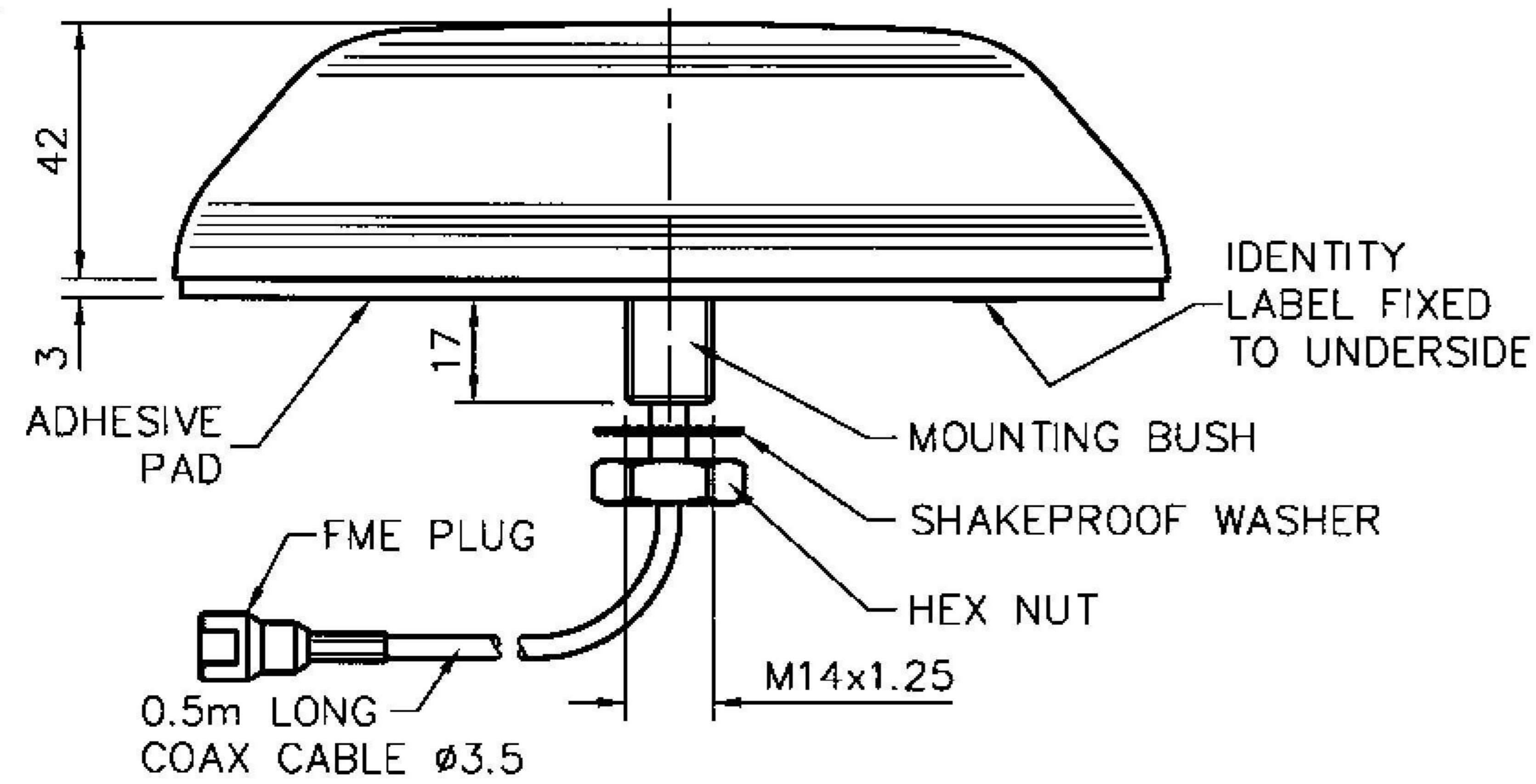


Low profile TETRA Antenna



COVER MOULDED IN HIGH IMPACT BLACK ENGINEERING PLASTIC.



Electrical Data

Frequency Range (MHz)	380 - 400
Operational Bands	S1
Bandwidth @ 2:1 VSWR	5%
Gain: Isotropic	2dBi
Compared with ¼ wave	0dB
Polarisation	Vertical
Groundplane	Integrated baseplate groundplane

Mechanical Data

Base Dimensions (mm)	Height	42
	Diameter	160
Operating Temp (°C)	-40° / +80°C	
Material	Engineering Plastic	
Colour	Black	

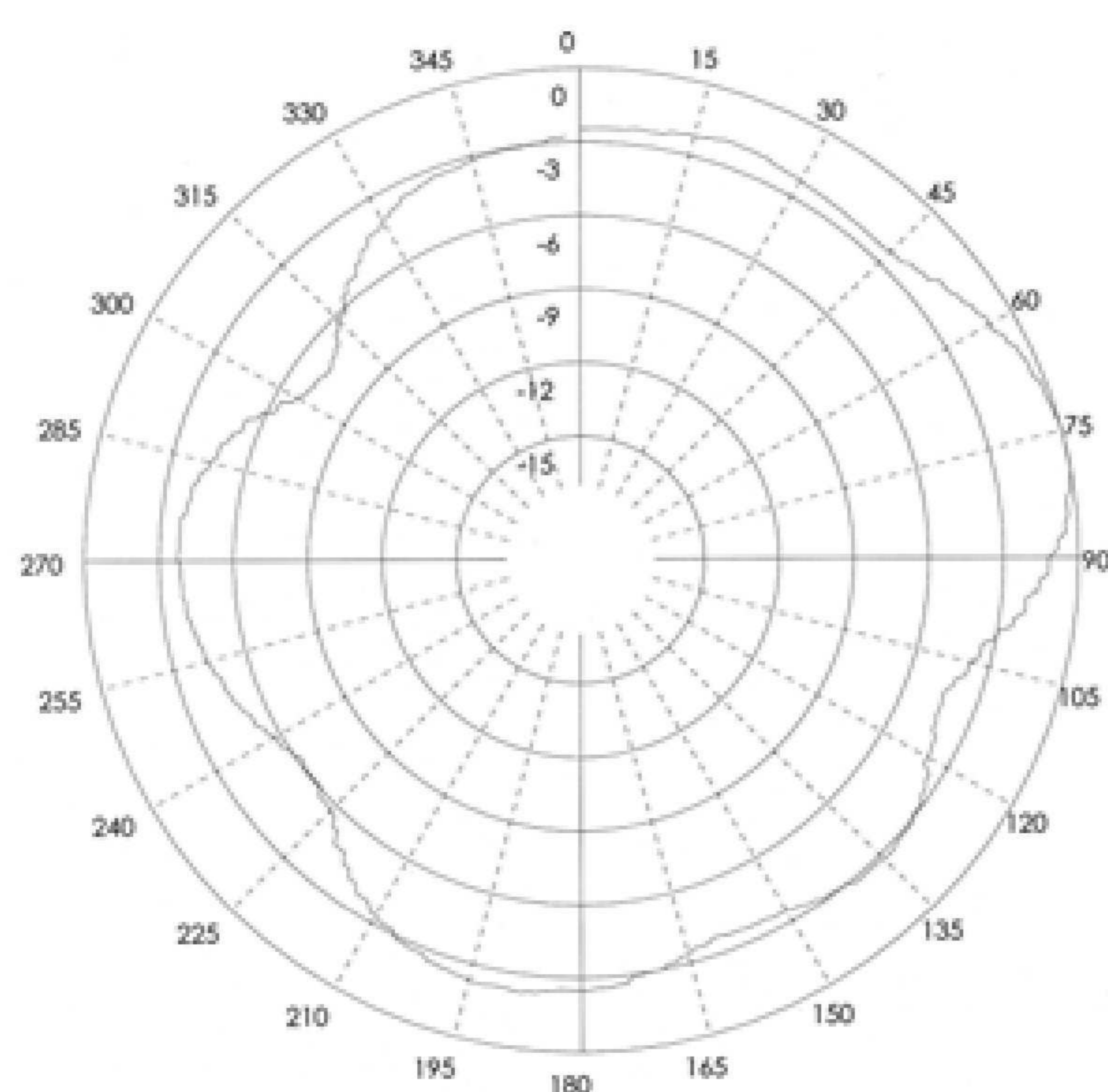
Mounting Data

Fixing	Panel Mount	
Mounting Hole Size (mm)	Length	17
	Diameter	14

Cable Data

Cable Type	Coaxial Cable
Cable Length (mm)	500
Cable Thickness (mm)	3.5
Termination	FME Plug

390 MHz



VSWR v Freq (MHz) [Free Space]

VSWR v Freq (MHz) [1m x 1m Groundplane]

