

MD

Magnetic Mount Base

04/09/2015 v.1

Magnetic Mount Base



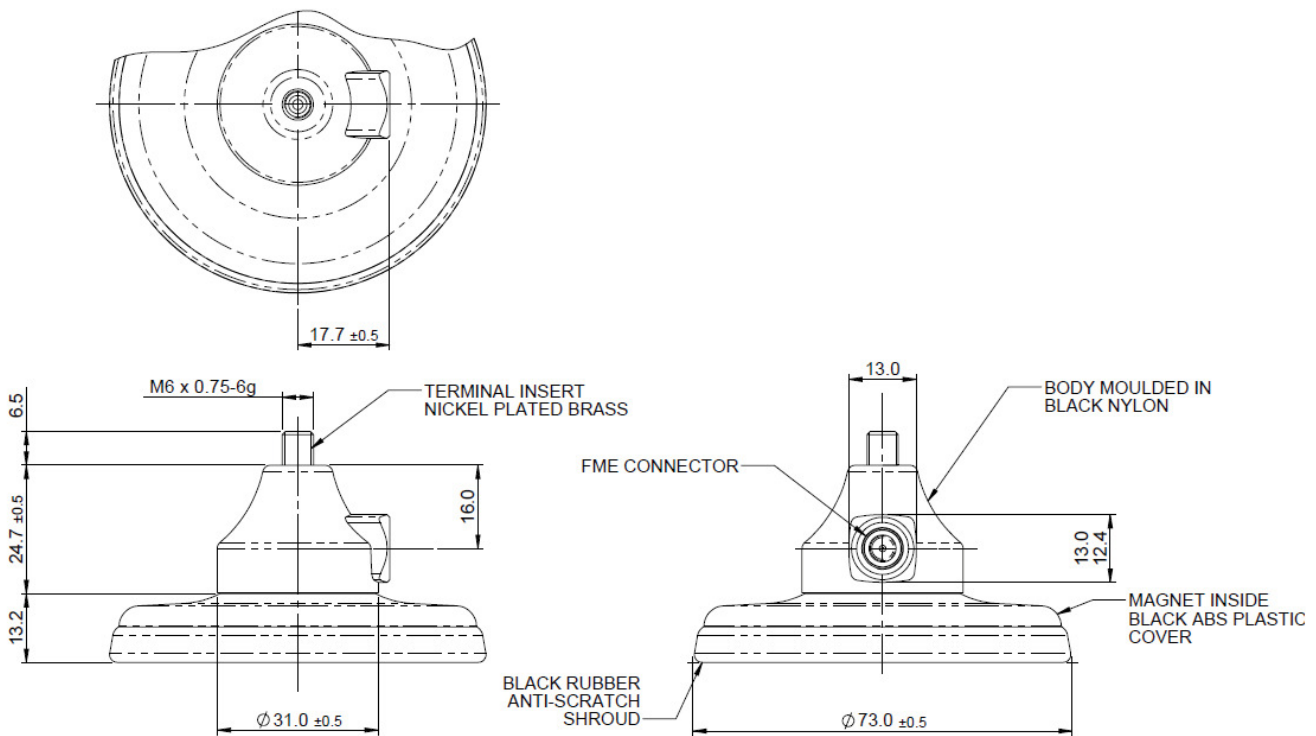
- No hole installation
- Strong magnetic retention
- Easy removal

The MD range of antennas is a popular choice for public safety and commercial vehicles that require a temporary mount antenna. The rugged magnetic base will retain the antenna to the roof or boot but leave no evidence that it was fitted, once repositioned or removed.

The radiating element can be selected from a range of Panorama Antennas products with a recommended max length of 600mm (23.6") dependent on product type. The recommended frequency range for this base runs from 127-960MHz but with selected whips it can operate up to 2170MHz.

The coaxial cable is detachable for simple replacement in the event of damage.

Technical Drawing



PANORAMA ANTENNAS
Panorama Antennas Ltd
Frogmore, London, SW18 1HF, United Kingdom

T: +44 (0)20 8877 4444
F: +44 (0)20 8877 4477
E: sales@panorama-antennas.com
www.panorama-antennas.com

Waiver: The data given above is indicative of the performance of the product/s under particular conditions and does not imply a guarantee of performance. These specifications are subject to change without notice.

Copyright © Panorama Antennas Ltd. All rights reserved.

Part No.		MD
Electrical Data		
Frequency Range:	dependent on whip (150-2170MHz)	
Max Input Power (W)	100	
Mechanical Data		
Dimensions (mm)	Base Diameter	73 (2.9")
	Base Height	44.4 (1.75")
Operating Temp	-30° / +80°C (-22°/ 176°F)	
Material	A.B.S, plated brass and rubber boot	
Colour	Black	
Mounting Data		
Mounting type	Magnetic	
Maximum Whip Length (mm)	600 (23.6")	
Recommended Max Speed (KMph)*	220 (135 Mph)	

We recommend the customer only uses Panorama whips and extension cables

* Recommended max speed is based on safe installation practice with a Panorama whip not exceeding the stated maximum length. A headwind of up to 30 KMph (19Mph) is allowed for in the stated value. Adverse weather conditions / heavy icing or poor installation may decrease magnetic retention. Spacing materials (other than the fitted rubber boot) should never be placed between the magnet and the mounting surface as this will significantly impact retention and may make this installation unsafe. Panorama advocates safe driving practices and adherence to the maximum speed limits in force locally for the user. Users are recommended to follow best practice and conduct sensible risk assessments before driving at very high speeds.