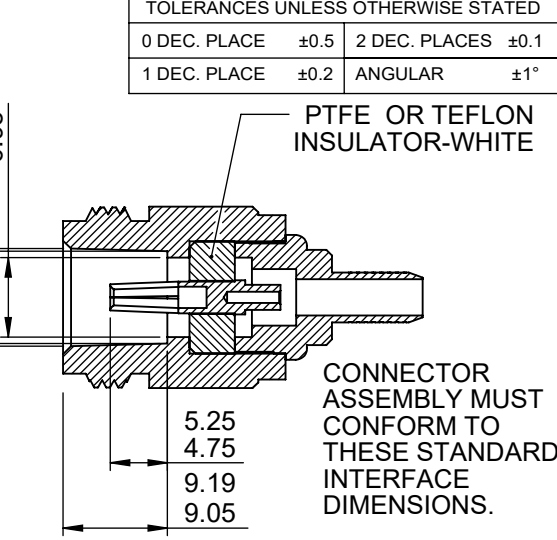
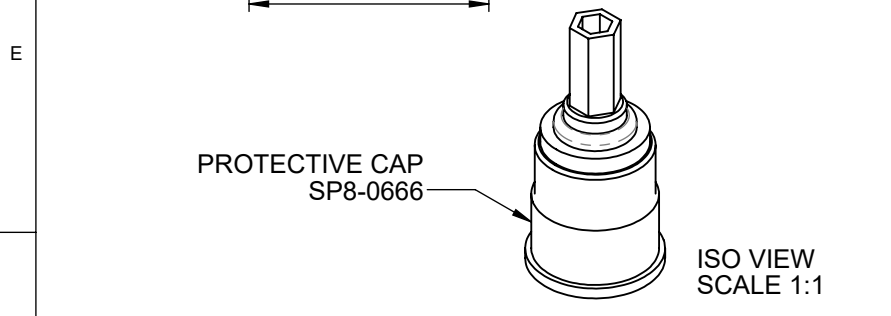
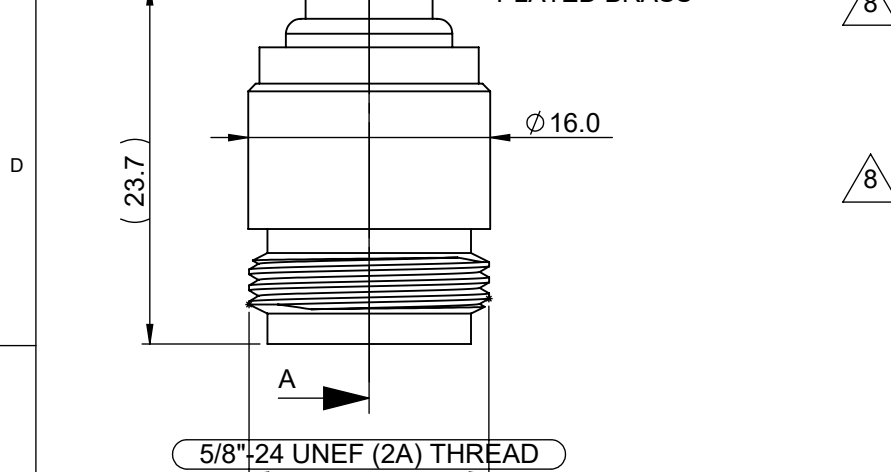
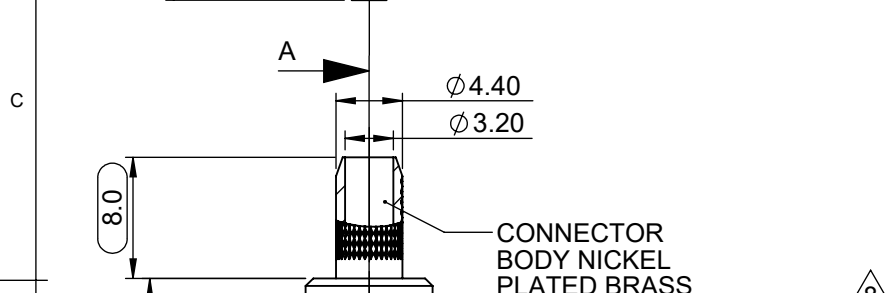
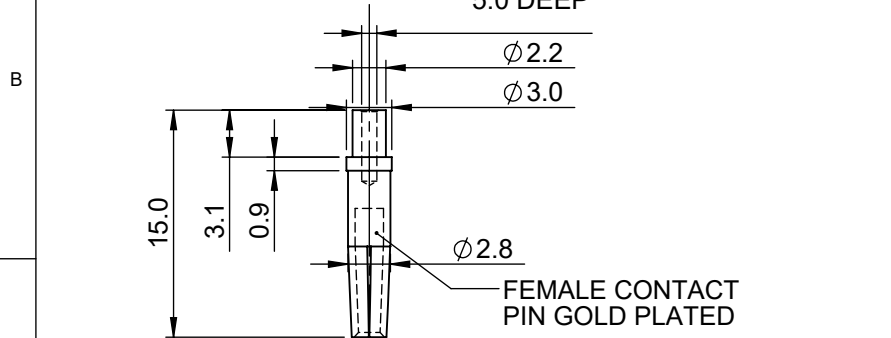
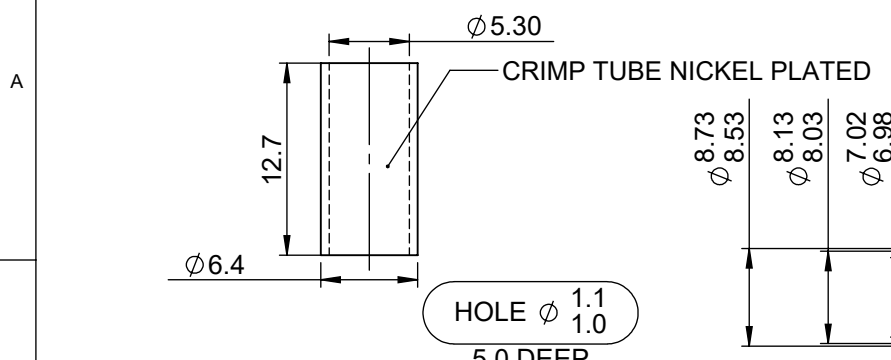


DENOTES CRITICAL VALUE	PROJECTION
TOLERANCES UNLESS OTHERWISE STATED	
0 DEC. PLACE ±0.5	2 DEC. PLACES ±0.1
1 DEC. PLACE ±0.2	ANGULAR ±1°



SECTION A-A
SCALE 1.5 : 1

- NOTES:**
- IMPEDANCE 50Ω ± 5Ω AT 2.3 GHz.
 - CONTACT PIN MUST REMAIN CAPTIVE AFTER ASSEMBLY OF CONNECTOR.
 - PROTECTIVE CAP SP8-0666 TO BE SUPPLIED ASSEMBLED TO CONNECTOR.
 - FINAL CONNECTOR ASSEMBLY MUST CONFORM TO STANDARD INTERFACE DIMENSIONS SHOWN.
 - MATERIALS:
CONNECTOR BODY: BRASS CW603N (CuZn36Pb3) OR APPROVED EQUIVALENT
CONNECTOR SHELL: BRASS CW603N (CuZn36Pb3) OR APPROVED EQUIVALENT
CONTACT PIN: BERYLLIUM COPPER CW101C (CuBe2) OR PHOSPHOR BRONZE
INSULATOR: PTFE
 - FINISH:
CONTACT PIN: GOLD PLATED (0.13μm MIN.) OVER NICKEL (1.27μm MIN.) OVER COPPER (1.27μm MIN.)
ALL OTHER METAL COMPONENTS: TIN-ZINC-COPPER-ALLOY (2.54μm MIN.) OVER COPPER (1.27μm MIN.)
 - ALL THREADS TO BE FREE FROM RESTRICTION ALONG ENTIRE LENGTH AFTER PLATING.
 - ALL DIMENSIONS APPLY AFTER PLATING.
 - SAMPLES MUST BE APPROVED BY PANORAMA ANTENNAS Q.C. BEFORE COMMENCING PRODUCTION.
 - ALL MATERIALS SUPPLIED MUST BE RoHS2 (DIRECTIVE 2011/65/EU) COMPLIANT AND MUST NOT CONTAIN ANY SUBSTANCES OF VERY HIGH CONCERN (SVHCs) LISTED UNDER REACH OR POLY-AROMATIC HYDROCARBONS (PAHs), OR PERSISTENT ORGANIC POLLUTANTS (POPs) CONTROLLED BY THE STOCKHOLM CONVENTION.
 - IN ORDER TO ASSURE COMPLIANCE WITH THE USA DODD-FRANK ACT (SECTION 1502) TIN, GOLD, TANTALUM AND TUNGSTEN CONTAINED IN PANORAMA PRODUCTS MUST BE FULLY TRACEABLE TO A SMELTER APPROVED BY THE CONFLICT-FREE SOURCING INITIATIVE (www.conflictreesmelter.org).

PRODUCT/ASSEMBLY CONNECTORS					DESCRIPTION 'N' CRIMP SOCKET FOR RG58/URM76 COAX CABLE					
MATERIAL SEE NOTES					APPROVED					
01019	6	PROTECTIVE CAP ADDED. NOTES UPDATED.	02/12/2015	IC	KD	D.O.CHECK	PE	SCALE	2:1	DIMENSIONS IN mm
01019	7	FINISH NOTE UPDATED.	25/05/2016	AR	SEE NOTES					
01019	8	UPDATE 3D AND NOTES	09/08/2017	MM						
PCN	REV.	DESCRIPTION	DATE	DRN	WEIGHT 1.38g		SHEET 1 OF 1			

