

Antenna Installation Guide WM8 Series



Installing the Antenna

Step 1: Positioning the Antenna

Ensure that the selected mounting location can be safely accessed with the equipment that you have available and mount the antenna so that it has at least 1 metre of clearance from all obstructions if possible.

Direct the antenna over your coverage area. The antenna has a 70° beam width.

Step 2: Select Mounting Option

The antenna is supplied with weatherproof mounting hardware for wall or mast mounting and should be fitted with the connector at the bottom.

i) Mast mounting: The clamp assembly allows fitting to masts of between 20-50mm diameter. *See figure 1*

ii) Wall mounting: The wall mount bracket can be used to mount the WM8 antenna to walls or other secure flat surfaces. Suitable screws and wall plugs (if required) should be sourced locally. *See figure 2*

Step 3: Secure the antenna in place and waterproof the exposed connections

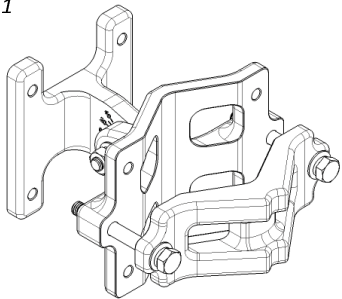
Fully tighten the mounting hardware, ensuring the antenna direction is correct.

If exposed the RF connector joint should be waterproofed with a weatherproof electrical tape (self amalgamating type is recommended) allowing a significant overlap of each turn and ensuring that the overlap is in the opposite direction to predicted water fall.

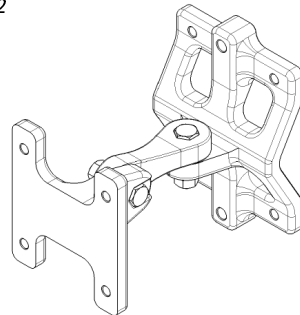
Optional Accessories

SAB-148 - Heavy duty vertical, horizontal, mast mount and wall mount options combined in one

Option 1



Option 2



Option 1 - Shown as mast mount option with down tilt. Mast diameter from 25mm to 120mm

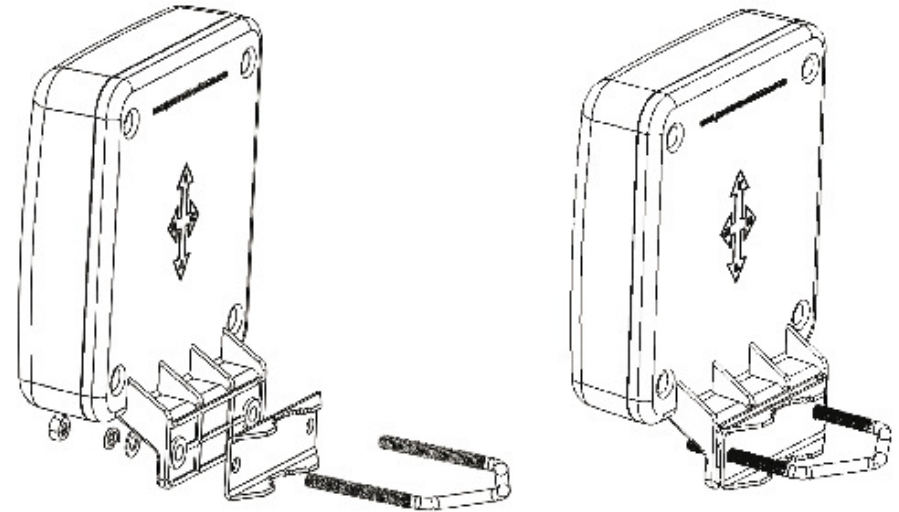
Option 2 - Shown as wall mount with vertical and horizontal tilt

Important Safety Information

RF Safety Note – Ensure that the antenna is mounted in such a way that no person is likely to be within a distance of 1 metre from the front of the antenna during use.

Electrical Caution – Parts of this antenna are an electrical conductor. Contact with power lines can result in death or serious injury. The antenna and supporting mast must not be close to any power lines during installation, use or removal.

Mast Mounting Option [figure 1]



Wall Mounting Option [figure 2]

