

PEDESTAL MOUNTS








**SUPER STRONG MOUNTING SOLUTIONS
FOR INSTALLATION OF HEAVIER DEVICES**



TABLE OF CONTENTS

PAGE	PRODUCT
4	HEAVY DUTY PEDESTAL MOUNTS WITH SMALL TEETH
6	HEAVY DUTY PEDESTAL MOUNTS WITH LARGE TEETH
11	LIGHT WEIGHT PEDESTAL MOUNTS WITH SWIVELING TOP
12	PEDESTAL MOUNTS FOR CABLE ENTRY
16	HEAVY & STANDARD DUTY PEDESTAL BALL MOUNTS
18	PIPE MOUNTS
22	U-MOUNTS
23	FORKLIFT CLAMP MOUNTS
26	SUCTION CUP MOUNTS
27	WORKSTATION MOUNTS
28	MULTIMOVECLIP
29	AMPS, DIN AND VESA MOUNTING PLATES
30	VIBRATION DAMPERS

SYMBOL PRODUCT COMPABILITY

-  PRODUCT IS COMPATIBLE WITH SQUARE BASE/TOP
-  PRODUCT IS COMPATIBLE WITH ROUND BASE/TOP
-  PRODUCT IS COMPATIBLE WITH CABLE ENTRY
-  PRODUCT IS COMPATIBLE WITH MOUNTS WITH SMALL TEETH
-  PRODUCT IS COMPATIBLE WITH MOUNTS WITH LARGE TEETH
-  PRODUCT HAS A SWIVELING FEATURE
-  PRODUCT IS EQUIPPED WITH WINGNUT

PEDESTAL MOUNTS

SUPER STRONG MOUNTING SOLUTIONS FOR INSTALLATION OF HEAVIER DEVICES

- A modular system for a stable and strong installation of heavier devices
- Provides improved working environment with device within easy reach
- For use in any vehicle, flat surface, round pole or pipe, square rod
- Durable products with low weight, that withstand a lot of weight
- Contact Brodit for customized solutions on special projects
- Standard holes for easy attachment of a device holder
- Complete sets, or mix and match your own solution
- Heavy duty and standard duty range
- For professional everyday use
- Discreet design, color: black
- Solid and hollow range
- Made of aluminum
- Made in Sweden





HEAVY DUTY PEDESTAL MOUNTS WITH WINGNUTS



- A versatile heavy duty Pedestal Mount with wingnuts which allow for easy adjustment
- The joints are super strong thanks to the small interlocking teeth
- The small interlocking teeth can be angled in 0-180° (16 positions in steps of 11,25°)
- Rod diameter 30 mm, solid rod
- Made of aluminum
- Square base/top: 50x50 mm with dual 4 mm AMPS holes
- Round base/top: diameter 64 mm with multiple 4 mm AMPS holes, radial adjustment

WITH SMALL TEETH



HEAVY DUTY PEDESTAL MOUNT WITH WINGNUTS, ROUND BASE & SQUARE TOP

Item no.	Product	Total length	Holes
215836	Pedestal Mount 2"	62 mm	Dual 4 mm AMPS+Multiple 4 mm AMPS
215837	Pedestal Mount 4"	114 mm	Dual 4 mm AMPS+Multiple 4 mm AMPS
215838	Pedestal Mount 6"	164 mm	Dual 4 mm AMPS+Multiple 4 mm AMPS
215937	Pedestal Mount 8"	214 mm	Dual 4 mm AMPS+Multiple 4 mm AMPS
216153	Pedestal Mount 10"	264 mm	Dual 4 mm AMPS+Multiple 4 mm AMPS



HEAVY DUTY PEDESTAL MOUNT WITH WINGNUTS, ROUND BASE & ROUND TOP

Item no.	Product	Total length	Holes
215839	Pedestal Mount 2"	62 mm	Multiple 4 mm AMPS
215840	Pedestal Mount 4"	114 mm	Multiple 4 mm AMPS
215863	Pedestal Mount 6"	164 mm	Multiple 4 mm AMPS
215864	Pedestal Mount 8"	214 mm	Multiple 4 mm AMPS
215865	Pedestal Mount 10"	264 mm	Multiple 4 mm AMPS
216160	Pedestal Mount 7,5" rotatable	188 mm	Multiple 4 mm AMPS



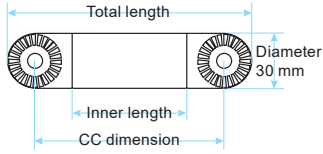
HEAVY DUTY PEDESTAL MOUNT WITH WINGNUTS, SINGEL AMPS BASE & ROUND TOP

Item no.	Product	Total length	Holes
216361	Pedestal Mount 3,8"	97 mm	Single+Multiple 4 mm AMPS

HEAVY DUTY EXTENSION PARTS WITH SMALL TEETH



- Create your own unique solution by combining various heavy duty Pedestal Mount parts
- The joints are super strong thanks to the small interlocking teeth, can be angled in 0-180° (16 positions in steps of 11,25°)
- Rod diameter 30 mm, solid rod
- Made of aluminum
- NOTE: Each part is marked 1 or 2. In order to make a straight design (angle 0°), you need to match a "part 1" with a "part 2". If you mount "part 1" onto "part 1", or "part 2" onto "part 2", it will not be possible to create a straight (angle 0°) design, but the parts will still be compatible. (Only applies for the heavy duty Pedestal Mounts with small interlocking teeth.)



HEAVY DUTY EXTENSION ROD

Item no.	Product	Total length	Inner length	CC-dimension
215766	Extension rod 2"	82 mm	14 mm	52 mm
215846	Extension rod 4"	132 mm	64 mm	102 mm
215762	Extension rod 6"	182 mm	114 mm	152 mm
215847	Extension rod 8"	232 mm	164 mm	202 mm
215767	Extension rod 2", 90° angle	82 mm	14 mm	52 mm
216362	Extension rod 4" rotatable	132 mm	64 mm	102 mm



HEAVY DUTY SQUARE BASE/TOP

Item no.	Product	Length	CC-dimension
215850	Base/top, square mounting plate 50x50 mm ("part 2") Dual 4 mm AMPS holes	46 mm	31 mm



HEAVY DUTY ROUND BASE/TOP

Item no.	Product	Length	CC-dimension
215849	Base/top, round mounting plate 64 mm diameter ("part 1") Multiple 4 mm AMPS holes, radial adjustment	46 mm	31 mm
215768	Base/top, round mounting plate 64 mm diameter ("part 2") Multiple 4 mm AMPS holes, radial adjustment	46 mm	31 mm
216374	Round base singel hole 8,8 mm	65 mm	50 mm
216375	Single AMPS	15 mm	38 mm





HEAVY DUTY PEDESTAL MOUNTS

- Set the heavy duty Pedestal Mount into desired angles
- The joints are super strong thanks to the large interlocking teeth
- The large interlocking teeth can be angled in 0-195° (8 positions in steps of 24°)
- Rod diameter 30 mm, solid rod
- Made of aluminum



WITH LARGE TEETH



HEAVY DUTY PEDESTAL MOUNT WITH SQUARE BASE & TOP

- Mounting plate 50x50 mm with dual 4 mm AMPS holes

Item no.	Product	Total length	Holes
215532	Pedestal Mount 2"	62 mm	Dual 4 mm AMPS
215525	Pedestal Mount 4"	114 mm	Dual 4 mm AMPS
215526	Pedestal Mount 6"	164 mm	Dual 4 mm AMPS
215533	Pedestal Mount 8"	214 mm	Dual 4 mm AMPS
215550	Pedestal Mount 10"	264 mm	Dual 4 mm AMPS



HEAVY DUTY PEDESTAL MOUNT WITH ROUND BASE & TOP

- Mounting plate diameter 64 mm with multiple 5 mm AMPS holes, radial adjustment

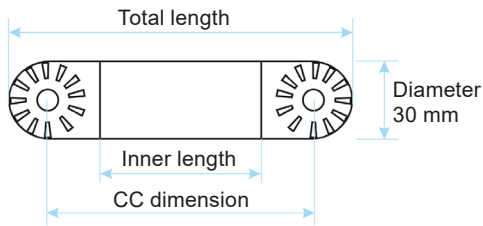
Item no.	Product	Total length	Holes
215786	Pedestal Mount 2"	62 mm	Multiple 5 mm AMPS, radial adjustm.
215787	Pedestal Mount 4"	114 mm	Multiple 5 mm AMPS, radial adjustm.
215788	Pedestal Mount 6"	164 mm	Multiple 5 mm AMPS, radial adjustm.
215789	Pedestal Mount 8"	214 mm	Multiple 5 mm AMPS, radial adjustm.
215790	Pedestal Mount 10"	264 mm	Multiple 5 mm AMPS, radial adjustm.



HEAVY DUTY EXTENSION PARTS WITH LARGE TEETH



- Create your own unique solution by combining various heavy duty Pedestal Mount parts
- The joints are super strong thanks to the large interlocking teeth, can be angled in 0-195° (8 positions in steps of 24°)
- Rod diameter 30 mm, solid rod
- Made of aluminum



WITH LARGE TEETH



HEAVY DUTY EXTENSION ROD

Item no.	Product	Total length	Inner length	CC-dimension
215515	Extension rod 2"	82 mm	14 mm	52 mm
215514	Extension rod 4"	132 mm	64 mm	102 mm
215534	Extension rod 6"	182 mm	114 mm	152 mm
215549	Extension rod 8"	232 mm	164 mm	202 mm
215724	Extension rod 2", 90° angle	82 mm	14 mm	52 mm
215674	Extension rod 4", rotatable	132 mm	64 mm	102 mm



HEAVY DUTY SQUARE BASE/TOP

Item no.	Product	Total length	CC-to surface
215516	Base/top, square mounting plate 50x50 mm Dual 4 mm AMPS holes	46 mm	31 mm



HEAVY DUTY ROUND BASE/TOP

Item no.	Product	Total length	CC-to surface
215785	Base/top, round mounting plate 46 mm diameter Multiple 5 mm AMPS holes, radial adjustment	46 mm	31 mm





MOUNTING BASE PLATES



215522

*



215807

*

* =
 ○ ○
 ○ ○
 T T T T



ROUND MOUNTING/BASE PLATE

- Made of ABS plastic
- Thickness 9 mm

Item no.	Product	Diameter	Holes
215522	Round mounting plate	100 mm	M4 AMPS holes + 6x6,5 mm holes
215807	Round mounting plate	200 mm	M4 AMPS holes



WINGNUTS & SCREWS



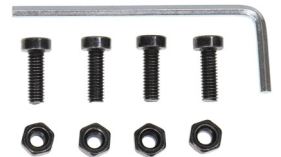
215670



215535



216535



215591

WINGNUTS & SCREWS

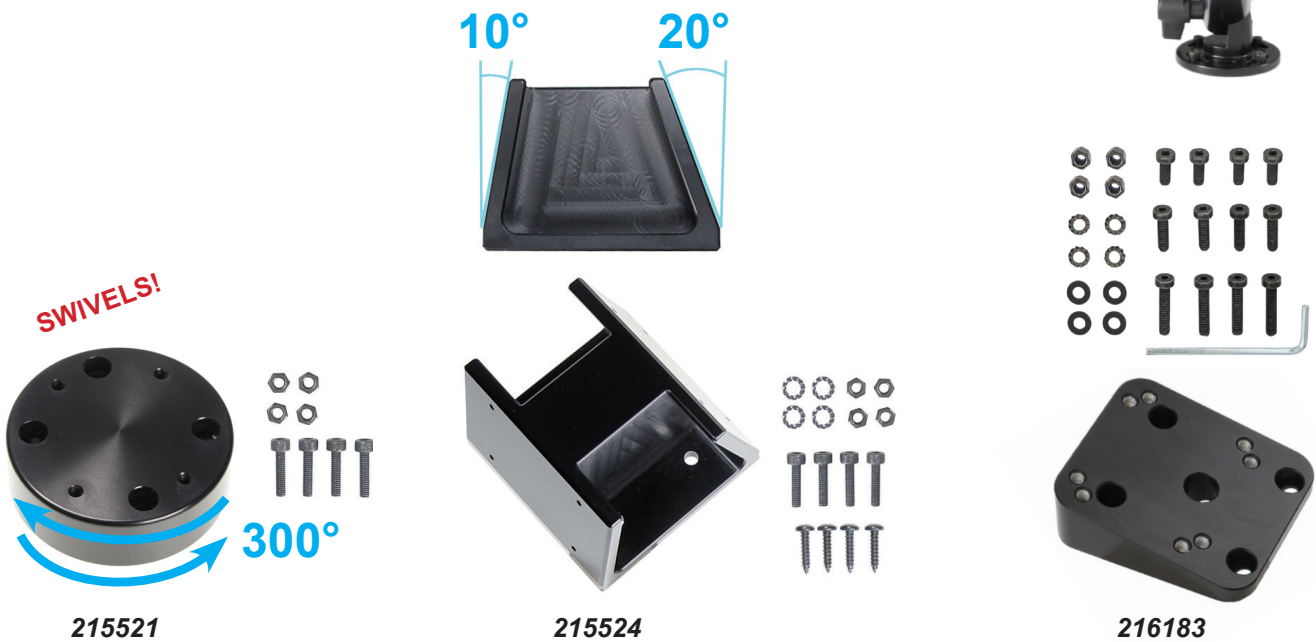
- For use on all heavy duty Pedestal Mounts (NOT for standard duty Pedestal Mounts)

Item no.	Product
215670	Wing nuts. Replaces standard nuts on heavy duty Pedestal Mounts (2 pcs)
215535	Screws. 2 screws + 2 nuts + 1 Allen key. For heavy duty Pedestal Mounts. Color: Black
216535	Screws. 2 stainless steel screws + 2 nuts + 1 Allen key. For heavy duty Pedestal Mounts.
215591	Screws. 4 screws M4 x 12 mm + 4 nuts + 1 Allen key. Color: Black





MOUNTING TOPS



SWIVELING TOP PLATE

- For installation of equipment that needs to be turned for use from different directions
- Made of aluminum
- Swivels 300°. Diameter 64 mm. Thickness 22 mm

Item no.	Product	Holes
215521	Swiveling top plate, adjustable in fixed steps	M4 AMPS holes + 4x4 mm holes



ANGLED TOP PART

- For installation of two devices back to back, for example a payment terminal and a printer
- Dimensions 64x64x46 mm (L+W+H), mounting surfaces are angled 10° and 20°
- Made of Acetal plastic

Item no.	Product	Holes
215524	Angled top part 10° and 20°	Dual 2 mm AMPS + 4 mm AMPS + 1x8 mm hole



ANGLED DISTANCE PLATE

- 50x60x5-21 mm. Angled 15°.
- Made of aluminum.

Item no.	Product	Thickness	Holes
216183	Angled distance plate	5-21 mm	Counterbored through M4 AMPS Dual M4 AMPS + 9 mm center



HEAVY DUTY PEDESTAL MOUNTS WITH TOP



300°

SWIVELS!

*

215523



215518

*



215563

*

WITH LARGE TEETH

* =



SWIVELING HEAVY DUTY PEDESTAL MOUNT

- Top part of the mount swivels 300°
- For installation of two devices back to back
- Mounting surfaces are angled 10° and 20°
- With MultiMoveClip, fits for all Brodit holders with tilt swivel
- Round base mounting plate, diameter 100 mm, thickness 9 mm, 6x6,5 mm holes
- Rod diameter 30 mm, solid rod, made of aluminum

Item no.	Product	Total length
215523	Swiveling Pedestal Mount 6"	262 mm



HEAVY DUTY PEDESTAL MOUNT 4" WITH MULTIMOVECLIP

- With MultiMoveClip, fits for all Brodit holders with tilt swivel
- Round base mounting plate, diameter 100 mm, thickness 9 mm, 6x6,5 mm holes
- Rod diameter 30 mm, solid rod, made of aluminum

Item no.	Product	Total length
215518	Pedestal Mount with MultiMoveClip	138 mm



HEAVY DUTY PEDESTAL MOUNT 4" WITH BASE PLATE

- Square mounting plate, 50x50 mm, dual 4 mm AMPS holes
- Round base mounting plate, diameter 100 mm, thickness 9 mm, 6x6,5 mm holes
- Rod diameter 30 mm, solid rod, made of aluminum

Item no.	Product	Total length
215563	Pedestal Mount 4"	124 mm





LIGHT WEIGHT PEDESTAL MOUNTS WITH SWIVELING TOP



LIGHT WEIGHT
& SMALLER SIZE!

215815

215816

215817

215818

215819

215820



215597



215598



215599



LIGHT WEIGHT PEDESTAL MOUNTS WITH SWIVELING TOP

- A light weight, small size Pedestal Mount perfect for use in cramped spaces
- Rod diameter 30 mm, solid rod, made of aluminum. Foot with 6x4 mm holes. Height 117 mm + top
- Slim design top. Swiveling top turns 345°, made of Acetal plastic. With dual 2 mm AMPS holes

Item no.	Product	Top angle	Holes
215815	Swiveling Pedestal Mount	15° angled top	Dual 2 mm AMPS
215816	Swiveling Pedestal Mount	30° angled top	Dual 2 mm AMPS
215817	Swiveling Pedestal Mount	45° angled top	Dual 2 mm AMPS
215818	Swiveling Pedestal Mount	60° angled top	Dual 2 mm AMPS
215819	Swiveling Pedestal Mount	75° angled top	Dual 2 mm AMPS
215820	Swiveling Pedestal Mount	90° angled top	Dual 2 mm AMPS



BASE PLATES

Item no.	Product	Diameter	Holes
215597	Round mounting plate	100 mm	6x6,5 mm + 6 M4 holes
215598	Round mounting plate	150 mm	6x6,5 mm + 6 M4 holes
215599	Round mounting plate	200 mm	6x6,5 mm + 6 M4 holes





PEDESTAL MOUNTS FOR CABLE ENTRY

- Hollow Pedestal Mounts for cable entry for use on store counter tops, events , fairs etc.
- Available with a fixed top or a swiveling top. Swiveling top turns 345°, made of Acetal plastic
- Round base mounting plate, diameter 64 mm, thickness 9 mm, 6x4 mm holes
- Rod diameter 35 mm, hole inside diameter 25 mm, made of aluminum
- With MultiMoveClip, fits for all Brodit holders with tilt swivel

345°

SWIVELS!



215629 215635 215636 215637 215638 215639 215640 215646



215629 215617 215618 215619 215620 215621 215622 215628

HOLLOW RANGE FOR CABLE ENTRY!



PEDESTAL MOUNT FOR CABLE ENTRY, WITH SWIVELING TOP

Top angle	15°	30°	45°	60°	75°	90°
Height 4,5" + top	215629	215630	215631	215632	215633	215634
Height 6,5" + top	215635	215636	215637	215638	215639	215640
Height 8,5" + top	215641	215642	215643	215644	215645	215646



PEDESTAL MOUNT FOR CABLE ENTRY, WITH FIXED TOP

Top angle	15°	30°	45°	60°	75°	90°
Height 4" + top	215611	215612	215613	215614	215615	215616
Height 6" + top	215617	215618	215619	215620	215621	215622
Height 8" + top	215623	215624	215625	215626	215627	215628





FLOOR & TABLE TOP STAND FOR CABLE ENTRY



216093

TABLETOP STAND FOR CABLE ENTRY

- A stable table top stand for devices up to 10.1" size.
- 145x176x150 mm (LxWxH), 592g
- Made of Acetal and ABS

HOLLOW RANGE FOR CABLE ENTRY!

Item no.	Product	Holes
216093	Table top stand	Dual 4 mm AMPS+ 2x 2 mm

FLOOR STAND WITH ANGLED TOP 45° FOR CABLE ENTRY

- A stable floor stand for any device in shops, at exhibitions, events, receptions, etc.
- Hollow range for cable entry, center hole diameter 15 mm
- Mounting plate 60x110 mm
- Angled top 45°
- 365x415x1115 mm (LxWxH), 5000g
- Delivered in flat package 580x420x85 mm
- Made of powder coated steel.

Item no.	Product	Holes
216263	Stable floor stand for cable entry	Dual M4 AMPS



216263



EXTENSION PARTS & PLATES FOR CABLE ENTRY MOUNTS



HOLLOW EXTENSION PARTS FOR CABLE ENTRY, WITH SWIVELING TOP

- Rod diameter 35 mm, hole inside diameter 25 mm
- Made of aluminum

Item no.	Product	Total length	Holes
215572	Swiveling Pedestal Mount for cable entry 4,5"	115 mm	5x4 mm AMPS+6x M4
215573	Swiveling Pedestal Mount for cable entry 6,5"	165 mm	5x4 mm AMPS+6x M4
215574	Swiveling Pedestal Mount for cable entry 8,5"	215 mm	5x4 mm AMPS+6x M4



**HOLLOW RANGE
FOR CABLE ENTRY!**

HOLLOW EXTENSION PARTS FOR CABLE ENTRY

- Rod diameter 35 mm, hole inside diameter 25 mm
- Made of aluminum

Item no.	Product	Total length	Holes
215564	Pedestal Mount for cable entry 4"	100 mm	4x4 mm AMPS+6x M4
215565	Pedestal Mount for cable entry 6"	150 mm	4x4 mm AMPS+6x M4
215566	Pedestal Mount for cable entry 8"	200 mm	4x4 mm AMPS+6x M4



HOLLOW ROUND MOUNTING/BASE PLATES FOR CABLE ENTRY

- For added stability, spreads the strain on the mounting surface thanks to larger area
- Hole diameter 20 mm, milled cable groove in the bottom
- Made of ABS plastic
- Thickness 9 mm.

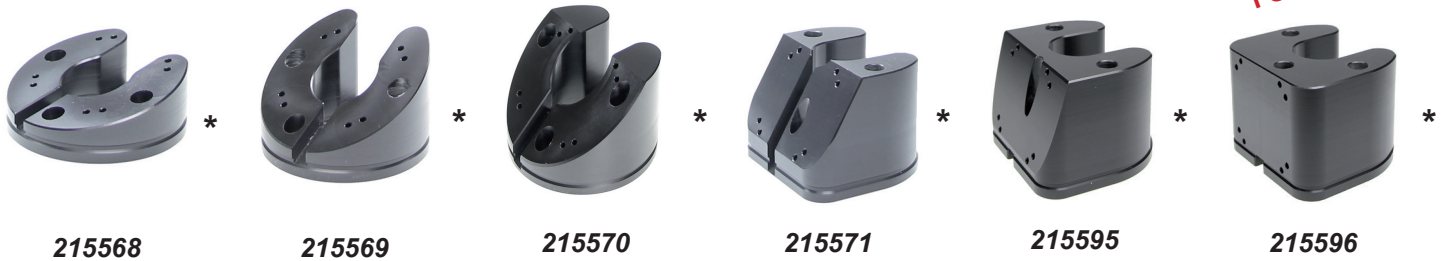
Item no.	Product	Diameter	Holes
215757	Mounting plate for cable entry	200 mm	6x6,5 mm+6x M4
215795	Mounting plate for cable entry	250 mm	6x6,5 mm+6x M4





HOLLOW TOPS FOR CABLE ENTRY MOUNTS

**HOLLOW RANGE
FOR CABLE ENTRY!**



215568

215569

215570

215571

215595

215596



215717

215741

215742

ANGLED TOPS FOR CABLE ENTRY PEDESTAL MOUNT

- Center hole diameter 24 mm
- Made of Acetal plastic

Item no.	Product	Top angle	Total height	Holes
215568	Angled top, cable entry	Angle: 15°	26 mm	Dual 2 mm AMPS + 4x4mm
215569	Angled top, cable entry	Angle: 30°	44 mm	Dual 2 mm AMPS + 4x4mm
215570	Angled top, cable entry	Angle: 45°	50 mm	Dual 2 mm AMPS + 4x4mm
215571	Angled top, cable entry	Angle: 60°	50 mm	Dual 2 mm AMPS + 4x4mm
215595	Angled top, cable entry	Angle: 75°	50 mm	Dual 2 mm AMPS + 4x4mm
215596	Angled top, cable entry	Angle: 90°	50 mm	Dual 2 mm AMPS + 4x4mm



SWIVELING TOPS FOR CABLE ENTRY PEDESTAL MOUNT

- Square mounting plate 50x50 mm, hole diameter 32 mm
- Made of aluminum and Acetal plastic
- Tilts 180°

Item no.	Product	Holes
215717	Top Part with 180° turnaround. Locking with handle	Dual 2 mm AMPS + 4x4mm
215741	Top Part with 180° turnaround. Locking with handle	RAM Mount holes + 4x4mm
215742	Top Part with 180° turnaround. Locking with Allen Key	Dual 2 mm AMPS + 4x4mm





HEAVY DUTY PEDESTAL BALL MOUNTS

HEAVY DUTY PEDESTAL BALL MOUNT

- With ball head, size 20 mm. Tilts 210°, swivels 360°
- Loading weight 3 kg
- Rod made of aluminum, lever made of metal
- Mounting plate 42x50 mm with 4 mm AMPS holes
- Compatible with all Brodit holders with tilt swivel

Item no.	Product	Total length
202024	Heavy duty pedestal ball mount	180 mm

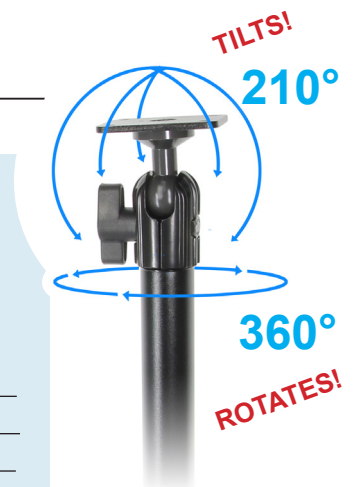


STANDARD DUTY PEDESTAL BALL MOUNTS

STANDARD DUTY PEDESTAL BALL MOUNT

- With ball head, size 20 mm. Tilts 210°, swivels 360°
- Rod diameter 23 mm, loading weight 1-3 kg
- Rod made of aluminum, wingnut made of plastic
- Mounting plate 42x50 mm with 4 mm AMPS holes
- Compatible with all Brodit holders with tilt swivel

Item no.	Product	Total length
202016	Pedestal Mount 5"	132 mm
202010	Pedestal Mount 6,5"	165 mm
202020	Pedestal Mount 10"	251 mm
202025	Extension arm, for use with item no 202010-202020	170 mm
202019	Pedestal Mount 6,5" with cup holder mount	234 mm
202018	Pedestal Mount 10,5" with cup holder mount	267 mm
202027	Magnetic mount 88 mm	35 mm
202028	Magnetic mount 43 mm	31 mm
202029	Pedestal Mount 6" with magnetic mount, 88 mm.	128 mm
202030	Pedestal Mount 7,5" with magnetic mount, 88 mm	160 mm
202031	Pedestal Mount 11" with magnetic mount, 88 mm.	247 mm
202017	Pedestal Mount 6" with suction cup	160 mm
202011	Pedestal Mount 7,5" with suction cup	190 mm
202012	Pedestal Mount 11" with suction cup	280 mm
202015	Pedestal Mount 10" with small clamp mount Opens max 40 mm or Ø30 mm.	345 mm
202014	Pedestal Mount 10" with heavy duty clamp mount Opens 5-65 mm	340 mm





202024



202016



202010



202020



202025



202019



202018



202027



202028



202029



202030



202031



202017



202011



202012



202015



202014



HEAVY DUTY PIPE MOUNTS



215935



215858



215859



215860

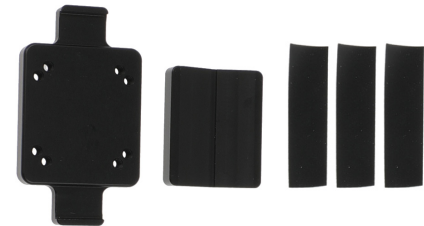
**VERY STRONG
PIPE MOUNT!**



216107



216114



216115



HEAVY DUTY PIPE MOUNT

- A pipe mount for round bars
- Perfect for installations in heavy duty vehicles or where road conditions are rough
- For use on motorcycles, boats, carts, stands, wheelchairs, airplanes etc
- Provides a very sturdy mounting platform for tablets, PDAs, phones, monitors, printers etc
- Mounting plate 69x75 mm with multiple M4 AMPS holes
- Made of aluminum

Item no.	Product	Fits pipe diameter	Holes
215935	Pipe mount	25 mm (44,5 mm if insert removed)	Multiple M4 AMPS
215858	Pipe mount	30 mm (44,5 mm if insert removed)	Multiple M4 AMPS
215859	Pipe mount	38,1 mm (44,5 mm if insert removed)	Multiple M4 AMPS
215860	Pipe mount	44,5 mm	Multiple M4 AMPS



HEAVY DUTY PIPE MOUNT

- A pipe mount for round bars.
- Perfect for installations in heavy duty vehicles or where road conditions are rough
- For use on motorcycles, boats, carts, stands, wheelchairs, airplanes etc
- Provides a very sturdy mounting platform for tablets, PDAs, phones, monitors, printers etc
- Mounting plate 45x55 mm with dual AMPS-holes
- Made of aluminum

Item no.	Product	Fits pipe diameter	Holes
216107	Heavy duty pipe mount	19-30 mm	Dual AMPS
216114	Heavy duty pipe mount	29-40 mm	Dual AMPS
216115	Heavy duty pipe mount 1"-5"	25,4-127 mm	Dual AMPS



STANDARD DUTY PIPE MOUNTS

STANDARD DUTY
PIPE MOUNT!



215664



215969



215665



215666



215667



215793



215794



215945



215946

STANDARD DUTY PIPE MOUNT

- For installation of devices on pipes and rods/bars
- For use on most types of vehicles, trucks, motorcycles, boats, carts, stands, wheelchairs, airplanes etc
- Made of ABS/Acetal plastic (Item no 215969 made of aluminum)
- Mounting plate 50x42 mm

Item no.	Product	Fits pipe diameter	Holes
215664	Pipe mount	19-30 mm	2 mm AMPS
215969	Pipe mount with wing nuts	29-40 mm	2 mm AMPS
215665	Pipe mount, Mounting plate 160x50 mm	19-30 mm	6x2 mm AMPS
215666	Pipe mount, Mounting plate angled 45°	19-30 mm	6x2 mm AMPS
215667	Pipe mount, Mounting plate angled 90°	19-30 mm	6x2 mm AMPS
215793	Pipe mount	22-31 mm	2 mm AMPS
215794	Pipe mount	22-31 mm	4 mm AMPS for bolt+nut
215945	Pipe mount	31-50 mm	2 mm AMPS
215946	Pipe mount	31-50 mm	4 mm AMPS for bolt+nut



STANDARD DUTY PIPE BALL MOUNTS

STANDARD DUTY
PIPE BALL MOUNT!



202026



215792



215944



216254

STANDARD DUTY PIPE BALL MOUNT

- For installation of devices on pipes and rods/bars
- With ball head, size 20 mm. Tilts 210°, swivels 360°
- For use on most types of vehicles, trucks, motorcycles, boats, carts, stands, wheelchairs, airplanes etc
- Mounting plate 50x42 mm, with AMPS holes

Item no.	Product	Fits pipe diameter	Holes
202026	Pipe mount with swiveling mounting plate Made of aluminum	20-32 mm	4 mm AMPS
215792	Pipe mount with swiveling mounting plate Made of plastic	22-31 mm	2 mm AMPS
215944	Pipe mount with swiveling mounting plat. Made of plastic	31-50 mm	4 mm AMPS
216254	Pipe mount with swiveling mounting plate Made of plastic	12-44 mm	4 mm AMPS + 2



ROUND BASE SINGEL HOLE



Round base singel hole

- For attaching a device holder to an forklift using one bolt
- Standard AMPS holes

<i>Item no.</i>	<i>Product</i>	<i>Holes</i>
216389	Pedestal mount 185 mm	4mm AMPS+1x8,8mm



STILL FORKLIFT MOUNT



216262

STILL MOUNT

- For attachment on a Still Clamp mount 0711707/0711708 (not included).
- Made of powder coated steel
- Multiple AMPS holes, radial adjustment

<i>Item no.</i>	<i>Product</i>	<i>Holes</i>
216262	Still mount	Radial 4mm AMPS



**FOR USE ON STILL
CLAMP MOUNT**

TOYOTA FORKLIFT MOUNT



Toyota Forklift E-Bar

- For attaching a device holder or Pedestal Mount to an E-Bar rail
- Standard AMPS holes

<i>Item no.</i>	<i>Product</i>	<i>Holes</i>
216310	Mounting Plate	4mm AMPS





HEAVY DUTY U-MOUNTS



216227

*



215710

*



215709

*



HEAVY DUTY U-MOUNT

- For installation onto square objects
- Made of aluminum
- Dual M4 AMPS holes

<i>Item no.</i>	<i>Product</i>	<i>Fits bar width</i>	<i>Holes</i>
216227	U-Mount	25-30 mm	Dual M4 AMPS
215710	U-Mount	35-40 mm	Dual M4 AMPS
215709	U-Mount	45-50 mm	Dual M4 AMPS





HEAVY DUTY FORKLIFT CLAMP MOUNTS



HEAVY DUTY
CLAMP MOUNTS



215677 *



216091 *



215784 **

WITH LARGE TEETH



HEAVY DUTY CLAMP MOUNT

- For installation onto square objects, such as rollbars or pillars
- Fits square objects with thickness 5-130 mm
- Made of aluminum

Item no.	Product	Width between rods	Holes
215677	Forklift mount	87 mm	Multiple M4 AMPS
216091	Forklift mount	127 mm	Multiple M4 AMPS



HEAVY DUTY CLAMP MOUNT WITH PEDESTAL MOUNT FOOT

- Fits square objects with thickness 5-130 mm
- With large interlocking teeth

Item no.	Product	Width between rods
215784	Forklift mount with integrated base	36 mm

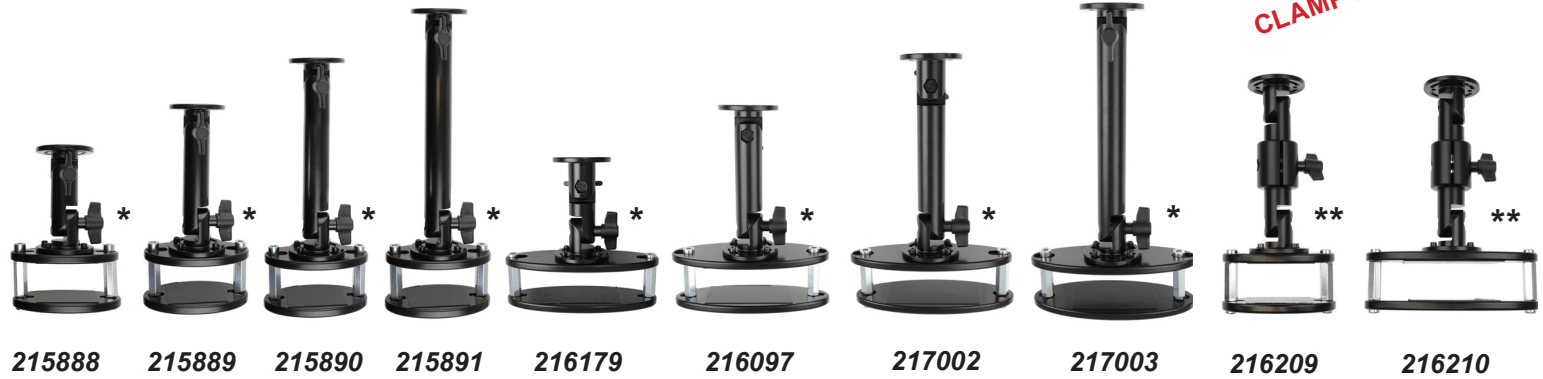




HEAVY DUTY FORKLIFT CLAMP MOUNTS

- For installation onto square objects, e.g. rollbar of a forklift, rods, poles, tubes, plates, pipes
- Round base/top: diameter 64 mm with multiple 4 mm AMPS holes, radial adjustment
- Fits square objects with thickness 5-130 mm
- Made of aluminum

HEAVY DUTY
CLAMP MOUNT ARM



FORKLIFT CLAMP MOUNT WITH HEAVY DUTY PEDESTAL MOUNT ARM

- With a heavy duty Pedestal Mount arm with wingnuts
- Solid rod, diameter 30 mm
- One end with small interlocking teeth, can be angled in 0-180° (16 positions in steps of 11,25°)
- The other end with large interlocking teeth, can be angled in 0-195° (8 positions in steps of 24°)

WITH SMALL TEETH

Item no.	Product	Width btw. rods	Length	Holes
215888	Clamp mount 4"	87 mm	114 mm + clamp mount	Mult. 4 mm AMPS, radial adj.
215889	Clamp mount 6"	87 mm	164 mm + clamp mount	Mult. 4 mm AMPS, radial adj.
215890	Clamp mount 8"	87 mm	214 mm + clamp mount	Mult. 4 mm AMPS, radial adj.
215891	Clamp mount 10"	87 mm	276 mm + clamp mount	Mult. 4 mm AMPS, radial adj.
216179	Clamp mount 4"	127 mm	114 mm + clamp mount	Mult. 4 mm AMPS, radial adj.
216097	Clamp mount 6"	127 mm	164 mm + clamp mount	Mult. 4 mm AMPS, radial adj.
217002	Clamp mount 8"	127 mm	214 mm + clamp mount	Mult. 4 mm AMPS, radial adj.
217003	Clamp mount 10"	127 mm	276 mm + clamp mount	Mult. 4 mm AMPS, radial adj.



FORKLIFT CLAMP MOUNT WITH HEAVY DUTY PEDESTAL MOUNT ROTATABLE ARM

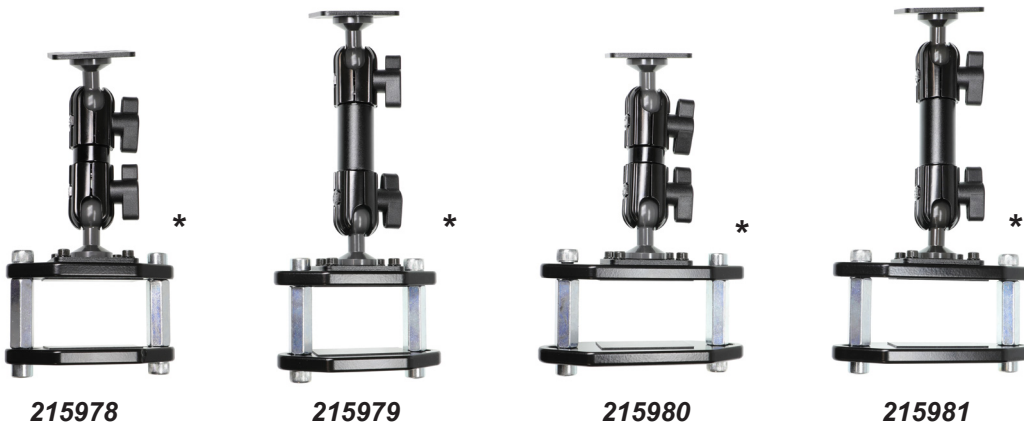
- With a heavy duty Pedestal Mount rotatable arm with wingnut
- Solid rod, diameter 30 mm
- With small interlocking teeth, can be angled in 0-180° (16 positions in steps of 11,25°)

Item no.	Product	Width btw. rods	Length	Holes
216209	Clamp mount 7,5"	87 mm	188 mm + clamp mount	Mult. 4 mm AMPS, radial adj.
216210	Clamp mount 7,5"	127 mm	188 mm + clamp mount	Mult. 4 mm AMPS, radial adj.





STANDARD DUTY FORKLIFT CLAMP BALL MOUNTS



STANDARD DUTY
CLAMP BALL MOUNT ARM



FORKLIFT CLAMP MOUNT WITH STANDARD DUTY PEDESTAL BALL MOUNT ARM

- For installation onto square objects, e.g. rollbar of a forklift, rods, poles, tubes, plates, pipes
- Fits square objects with thickness 5-130 mm
- With a standard duty Pedestal Mount arm with wingnuts
- Mounting plate 50x42 mm with 4 mm AMPS holes
- Made of aluminum

Item no.	Product	Width between rods	Length	Holes
215978	Clamp ball mount 5"	72 mm	140 mm + clamp mount	4 mm AMPS
215979	Clamp ball mount 6,5"	72 mm	172 mm + clamp mount	4 mm AMPS
215980	Clamp ball mount 5"	97 mm	140 mm + clamp mount	4 mm AMPS
215981	Clamp ball mount 6,5"	97 mm	172 mm + clamp mount	4 mm AMPS





SUCTION CUP MOUNTS



STANDARD DUTY SUCTION CUP MOUNT

Item no.	Product	Holes
215712	Standard duty single suction cup mount	Dual 2 mm AMPS

HEAVY DUTY SUCTION CUP MOUNT

- Provides a firm installation on flat surfaces such as glass or metal
- Made of metal and plastic

Item no.	Product	Holes
215671	Heavy duty dual suction cup mount	Dual 4 mm AMPS
215675	Heavy duty triple suction cup mount	Dual 4 mm AMPS
215854	Heavy duty dual suction cup mount with Heavy Duty Pedestal Mount 8"	Dual 4 mm AMPS

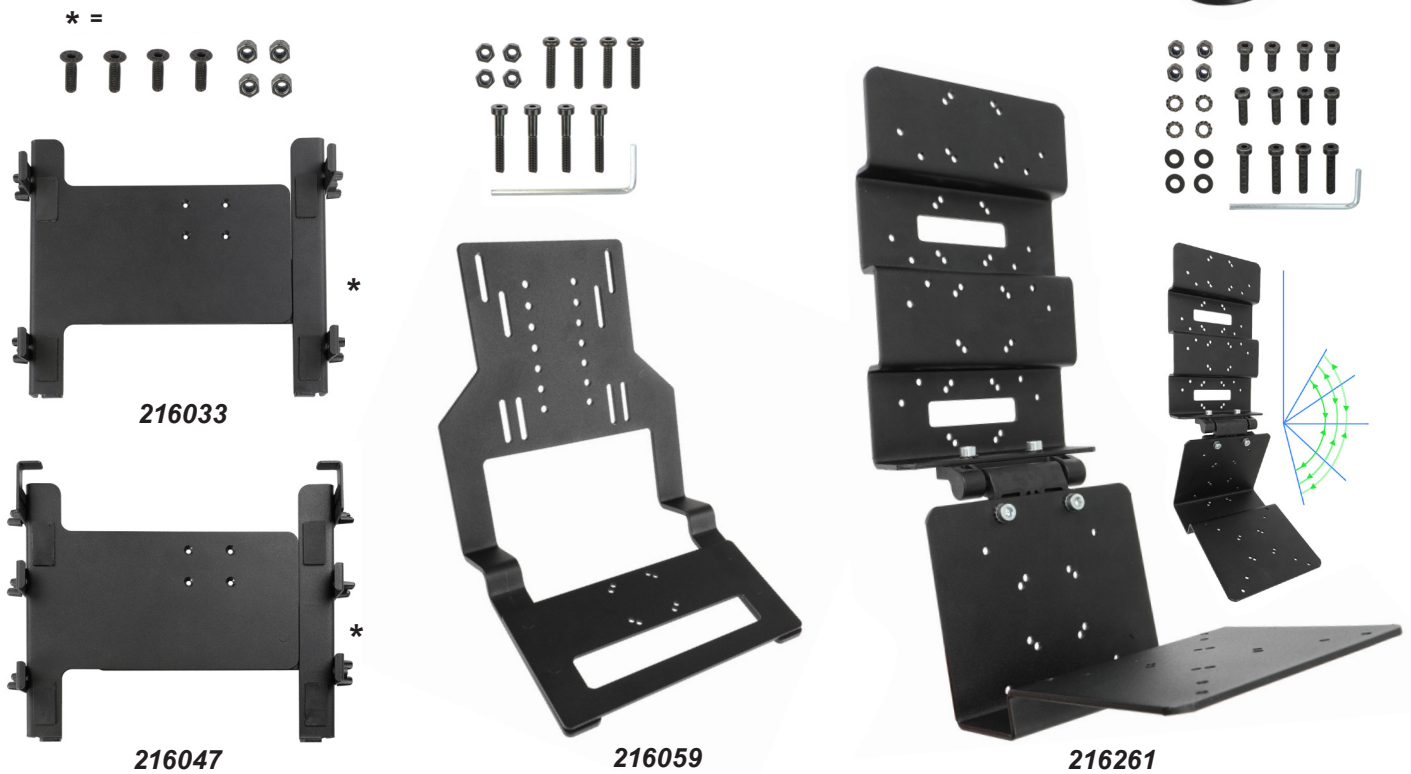
DISTANCE PLATE

Item no.	Product	Holes
215676	Wingnut + distance plate 50x50x5 mm	4 mm AMPS
215679	Distance plate 50x50x5 mm 5 pcs	4 mm AMPS



HEAVY DUTY WORKSTATION MOUNTS

- For installing a laptop or monitor and keyboard as a workstation in any location
- Made of powder coated steel.



HEAVY DUTY LAPTOP HOLDER

- Fits laptops with width 283-384 mm, max thickness 25 mm

Item no.	Product	Holes
216033	Laptop holder	4 mm AMPS
216047	Laptop holder. With back support	4 mm AMPS

HEAVY DUTY MONITOR AND KEYBOARD MOUNT

- Fits all standard keyboards and tablets

Item no.	Product	Holes
216059	Monitor and keyboard mount	Multiple M4 AMPS + VESA75/100

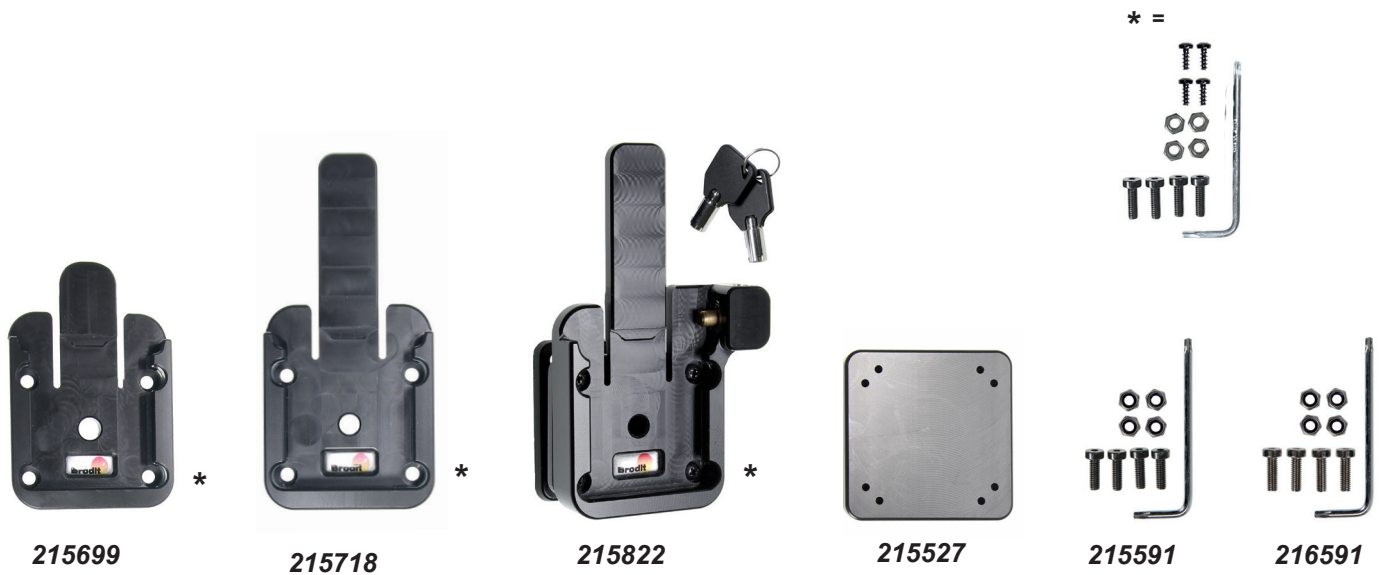
HEAVY DUTY FOLDING MONITOR AND KEYBOARD MOUNT

- With heavy-duty tension hinge; fold the mount up in half to get it out of the way when not in use
- Attach any cradle, holder, tablet, monitor to the top section and keyboard to the bottom section

Item no.	Product	Holes
216261	Folding monitor and keyboard mount	Multiple M4 AMPS + VESA75/100



MULTIMOVECLIP



MULTIMOVECLIP

- An adapter system for easy attachment and removal of a holder onto a mount
- Allows you to easily switch holders without changing the mount
- Move the holder between vehicle/warehouse/office
- Made of Acetal/ABS plastic
- Compatible with all Brodit holders with tilt swivel

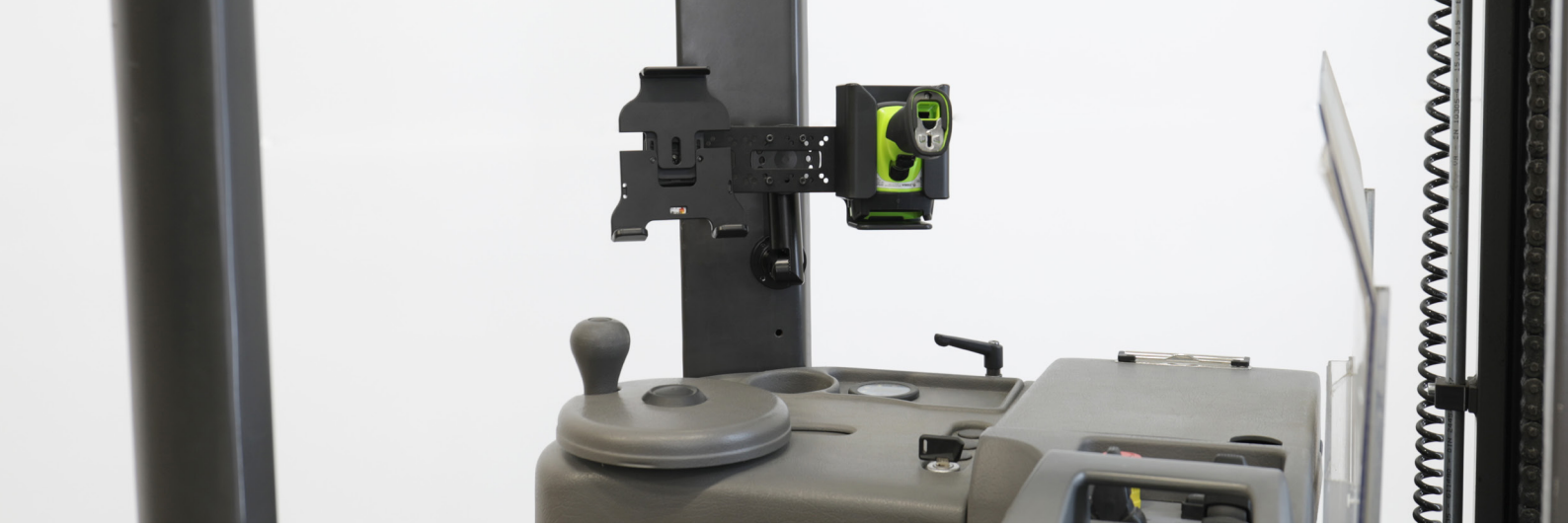
Item no.	Product	Holes
215699	MultiMoveClip, high strength easy open	4 mm AMPS
215718	MultiMoveClip, high strength easy open high	4 mm AMPS
215822	MultiMoveClip, high strength easy open high, with lock + 2 keys	4 mm AMPS

ADAPTER PLATE

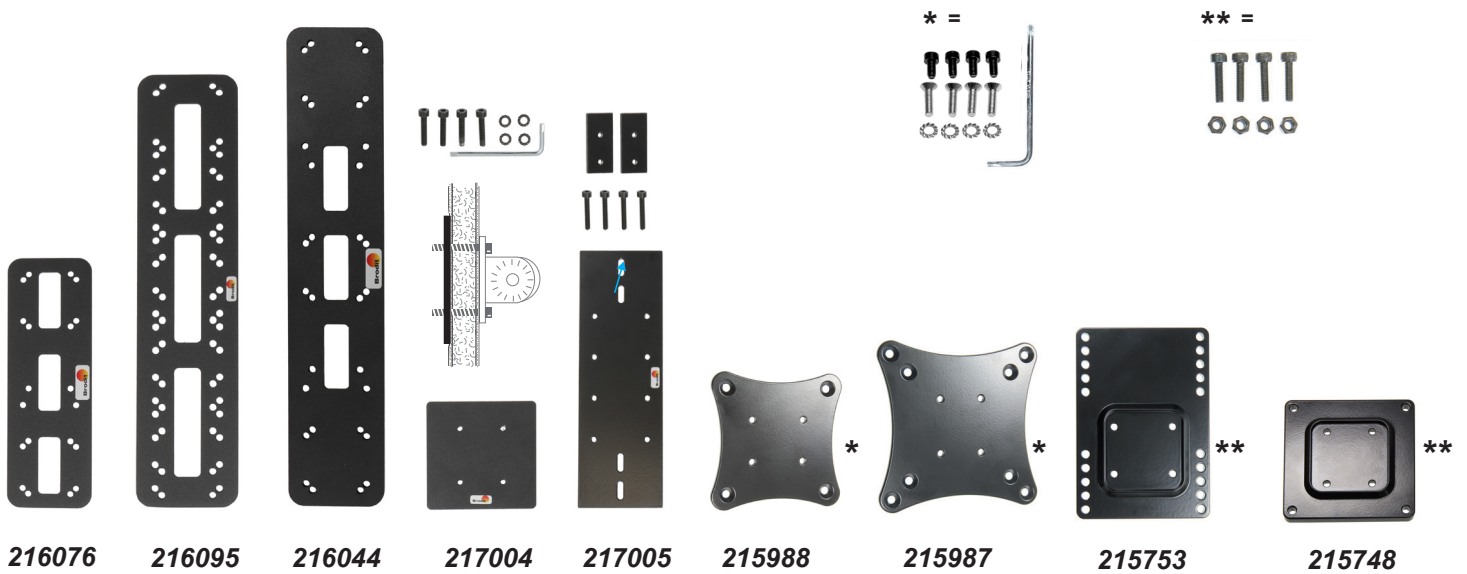
Item no.	Product	Holes
215527	Adapter plate, for use of holder without tilt swivel on MultiMoveClip	Dual 2 mm AMPS

MULTIMOVECLIP SCREWS

Item no.	Product
215591	Screw set. 4 screws + 4 nuts + 1 torx key. Color: Black (for installing a MultiMoveClip onto a Pedestal Mount)
216591	Screw set. 4 stainless steel screws + 4 nuts + 1 torx key (for installing a MultiMoveClip onto a Pedestal Mount)



AMPS, DIN & VESA MOUNTING PLATES



AMPS MOUNTING PLATES

- Made of powder coated steel.

Item no.	Product	Holes
216076	Mounting plate 180x60x3 mm	Multiple 4 mm AMPS
216095	Mounting plate 260x60x3 mm	Multiple 4 mm AMPS
216044	Mounting plate 300x60x3 mm	Multiple 4 mm AMPS
217004	Reinforcement plate 75x75x3 mm	M4 AMPS

DIN MOUNTING PLATE

- Made of powder coated steel.

Item no.	Product	Holes
217005	Mounting plate single DIN 188x60x3 mm	Multiple M4 AMPS

VESA MOUNTING PLATES

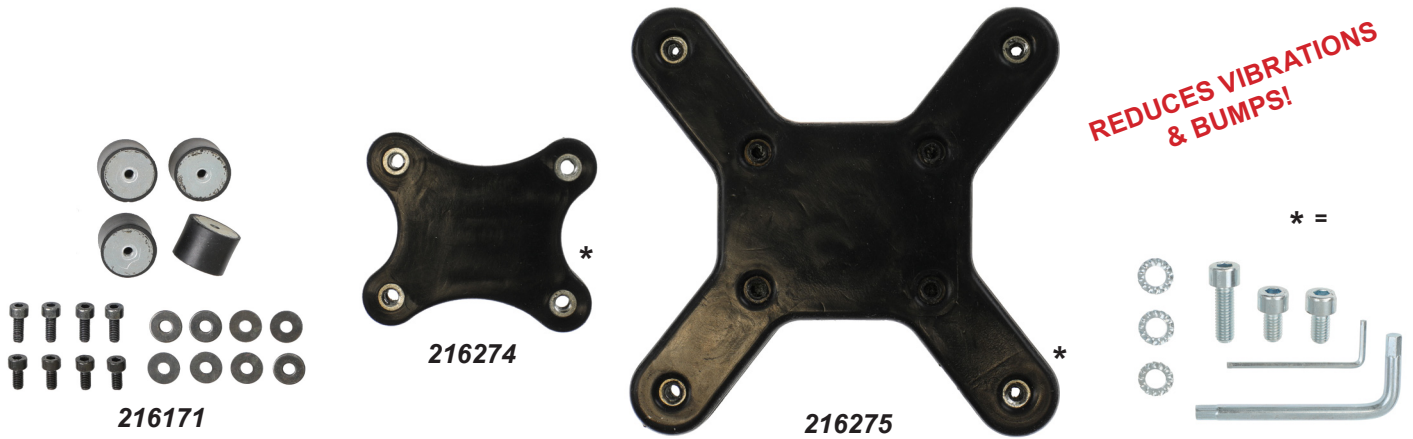
- For use with all heavy duty Pedestal Mounts
- Made of aluminum

Item no.	Product	Holes
215988	Single Vesa: 75 mm, rounded plate	5 mm Vesa + M4 AMPS
215987	Dual Vesa: 75 mm and 100 mm, rounded plate	Dual 5 mm Vesa + M4 AMPS
215753	5 x Vesa: 75 mm, square plate	5x5 mm Vesa + 4 mm AMPS
215748	Single Vesa 75 mm, square plate	5 mm Vesa + 4 mm AMPS





VIBRATION DAMPERS

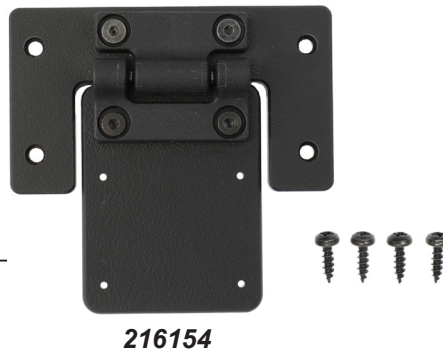


VIBRATION DAMPER

- Reduces vibrations and bumps, for use in a rough environment
- Mount the vibration damper between the cradle/holder and the Pedestal Mount
- Shore A 60 Hardness
- Made of steel and rubber

Item no.	Product	Holes	Max weight	Builds
216274	Vibration damper	M4 AMPS	1500 g	17 mm
216275	Vibration damper	M4 AMPS, VESA 75	2000 g	19 mm
216171	Vibration damper	M4	4000 g	15 mm

HINGE MOUNT



HINGE MOUNT

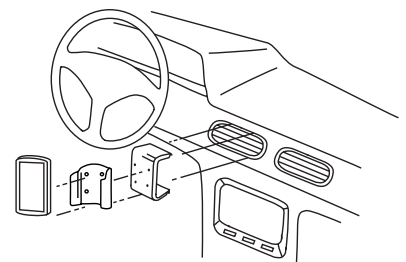
- For installation of an additional device in front of your car's screen while maintaining access to the screen
- Opens 0-180° depending on height of holder/device and dashboard design, normal opening angle is 90°
- A flat surface of 90x50 mm is required for the attachment
- 90x86x20 mm
- Made of ABS

Item no.	Product	Holes
216154	Hinge mount	4mm AMPS



CUSTOMIZED TWO-PART MOUNTING SOLUTIONS

- Customized holders for any handheld device, for use with or without a case or add-on equipment.
- Customized mounts for any vehicle, both for left and right hand drives.
- Firmly keeps your device within easy sight and reach all work day.
- Quick and easy installation, upgrade and maintenance without special tools.
- See full range at www.brodit.com:



ARE YOU PLANNING A NEW PROJECT?

- Customized mounting solutions, special made for your unique projects.
- Focus on usability, efficiency and innovation.
- Own in-house concept, design, development and manufacturing in Sweden.
- Highest quality and full control of all steps in the process.
- Contract manufacturing in high grade polymer and metal.
- Contact us for inquiries: info@brodit.se



